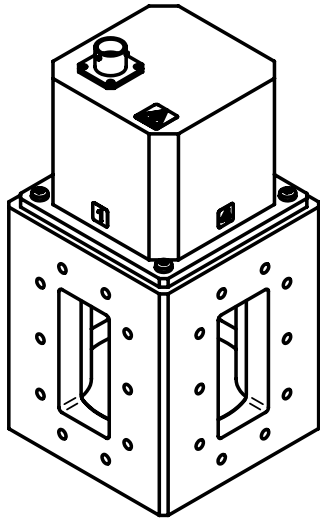
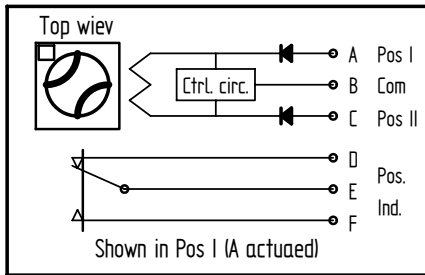
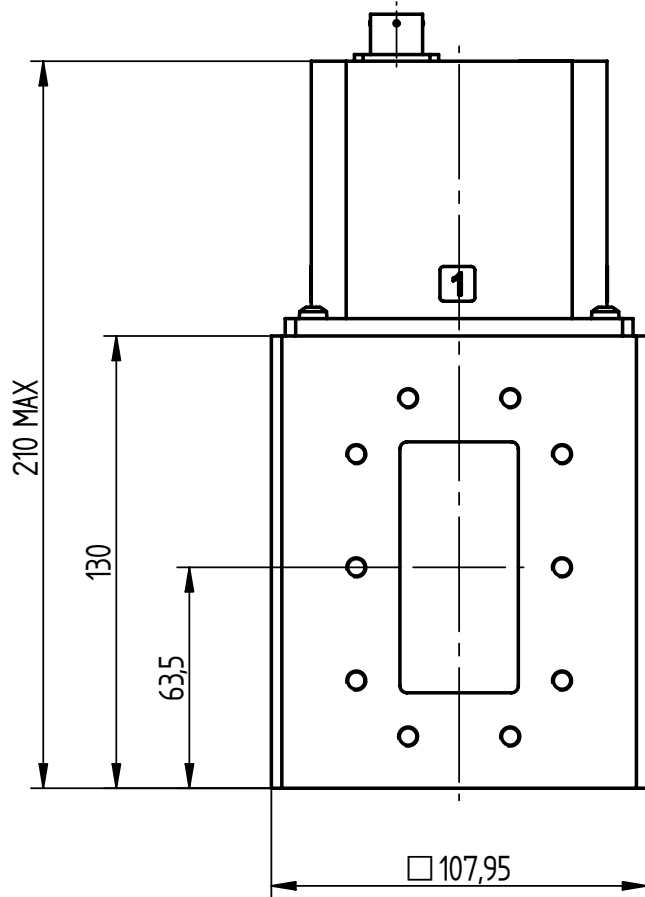
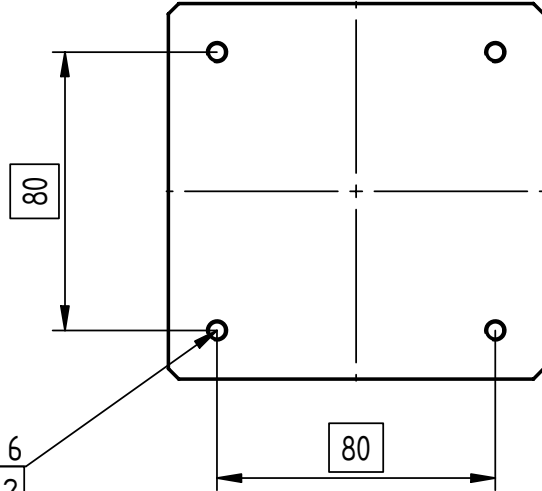


CAD-dokument  
Får ej revideras manuellt

Issue	Modification	Date	Sign.	Chkd.



4x M6  
Depth min 6  
⊕ ⌀ 0,2



**CAUTION!**  
ESD SENSITIVE

Drawing principle	SS 1902	UNLESS OTHERWISE STATED THE FOLLOWING APPLIES: General tolerances, linear and angular dimensions: ISO 2768-c	Ref. 2003-1113	Sign. HNg
Tolerancing principle	ISO 8015		Chkd.	Sign.
Dimensions in mm		·⊕· Europ. proj.	Appvd.	Sign. HW
<b>SIVERS</b>	Title WAVEGUIDE SWITCH WR284/R32/WG10 Latching		Designed	Sheet 1 (2)
			Scale 1:2	Issue A
			Doc. no. WS8286S/00	

© SIVERS LAB AB



Reference	Approved	Origin date	Issue date	Issue	Page	Document
HNg	HW	2003-11-13	2003-11-13	A	2 (2)	<b>WS 8286S/00</b>

**RF DATA**

Frequency range	2.6 – 3.95 GHz
VSWR	1.05
Insertion loss	0.1 dB
Isolation	80 dB
Peak power	1 MW at 0.1 MPa abs., +25°C
Average power	8 kW
Flange interface	MIL-DTL-3922/52C-032 Modified with M6, thread depth min 8

**ACTUATOR DATA**

Operating voltage	28±3 V DC
Operating current	1 A, Self cut off
Switching time	200 ms
Duty (min time between successive operations)	500 ms -20°C to +40°C linearly increasing to 2 s at +70°C
Connector	MS 3112E 10-6P
Mating connector	MS 3116F 10-6S or eq.

**POSITION INDICATOR**

Voltage / Current	30 V Max, 100 mA Max Resistive load
-------------------	-------------------------------------

**MECHANICAL DATA**

Material	Aluminium alloy, Cu free
Finish	Chromate per MIL-C-5541 and black painted
Air pressure	0.1 MPa overpr. Max
Air leakage	10 cm <sup>3</sup> /min (0.1 MPa overpr.) Max
Weight	2.5 kg Max
Life	250 000 actuations

**ENVIRONMENTAL DATA**

Ambient temperature	-20°C to +70°C
Vibration	5 – 18 Hz, 3 mm amplitude 18 – 2000 Hz, 15 g
Humidity	100%RH if dry air in waveguide

**WS 8286S/00**