

六位带冷光 IC

产 品 说 明 书

FEATURES

- Drives 6-digit duplexed LCD with 7-day mark, AM/PM, date and alarm
- Hour, Minute, Second, Day-of Week, Colon, Month and Date display
- Split operative stopwatch (accurate to 1/100 second)
- Direct drive of piezoelectric transducer
- 32,768Hz crystal frequency
- On chip oscillator, capacitor, resistor, voltage halfer
- Single 3.0V batter operation
- Low power dissipation
- Debounce circuitry on switch inputs
- Protection against static discharge
- Signals to drive EL backlight with delay function

FUNCTIONS

- 6 Functions: Month, Date, Day-of-Week, Hour, Minute, Second
- 6-digit Chronograph: Auto-ranging after 30 minutes to hour, minute; second. From minute, second 1/100 second
- Alarm output for melody IC (KS5381 series)
- Alarm function with 4 to 5 minutes snooze
- User selectable 12-hour/24-hour format
- 4-year calendar
- One-touch correction of time error within ± 30 seconds
- Fast advance for time and alarm time set
- Chime on every hour
- Switch operation
- LCD test

DESCRIPTION

The 6153 is a CMOS digital 6-function watch integrated circuit with a 6-digit LCD watch and built-in alarm/chronograph Function. The LCD display has a capacity of 6 digits, 7 day mark, AM/PM mark and colon. The watch circuit time base is a 32,768 kHz crystal oscillator. Oscillator RC network components are included on the chip, 25 phase segment outputs and 2 phase backplane outputs are provided for LCD. An on-chip halfer is used to generate the LCD drive voltage.

The 6153 designed especially for use with 3V Li-battery.

The 6153 provides signals to drive EL backlight.

注：在设计时晶振应尽量靠近IC, 晶振线要尽量短点

ABSOLUTE MAXIMUM RATINGS

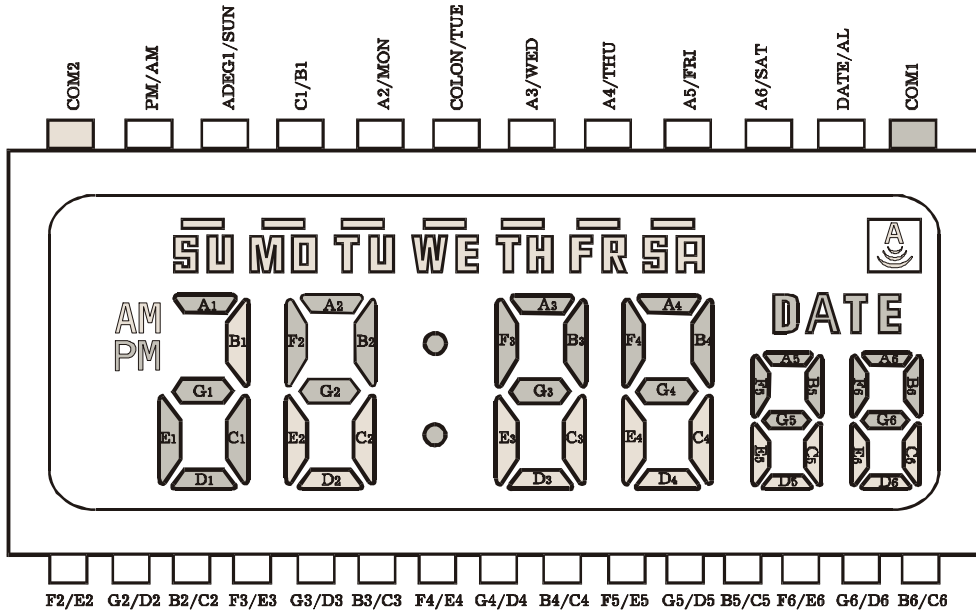
Characteristic	Symbol	Value	Unit
Supply Voltage, V_{CC}	V_{CC}	- 0.3 ~ + 4.0	V
Operating Temperature	T_{opr}	- 20 ~ + 70	°C
Storage Temperature	T_{stg}	- 55 ~ + 125	°C

ELECTRICAL CHARACTERISTICS

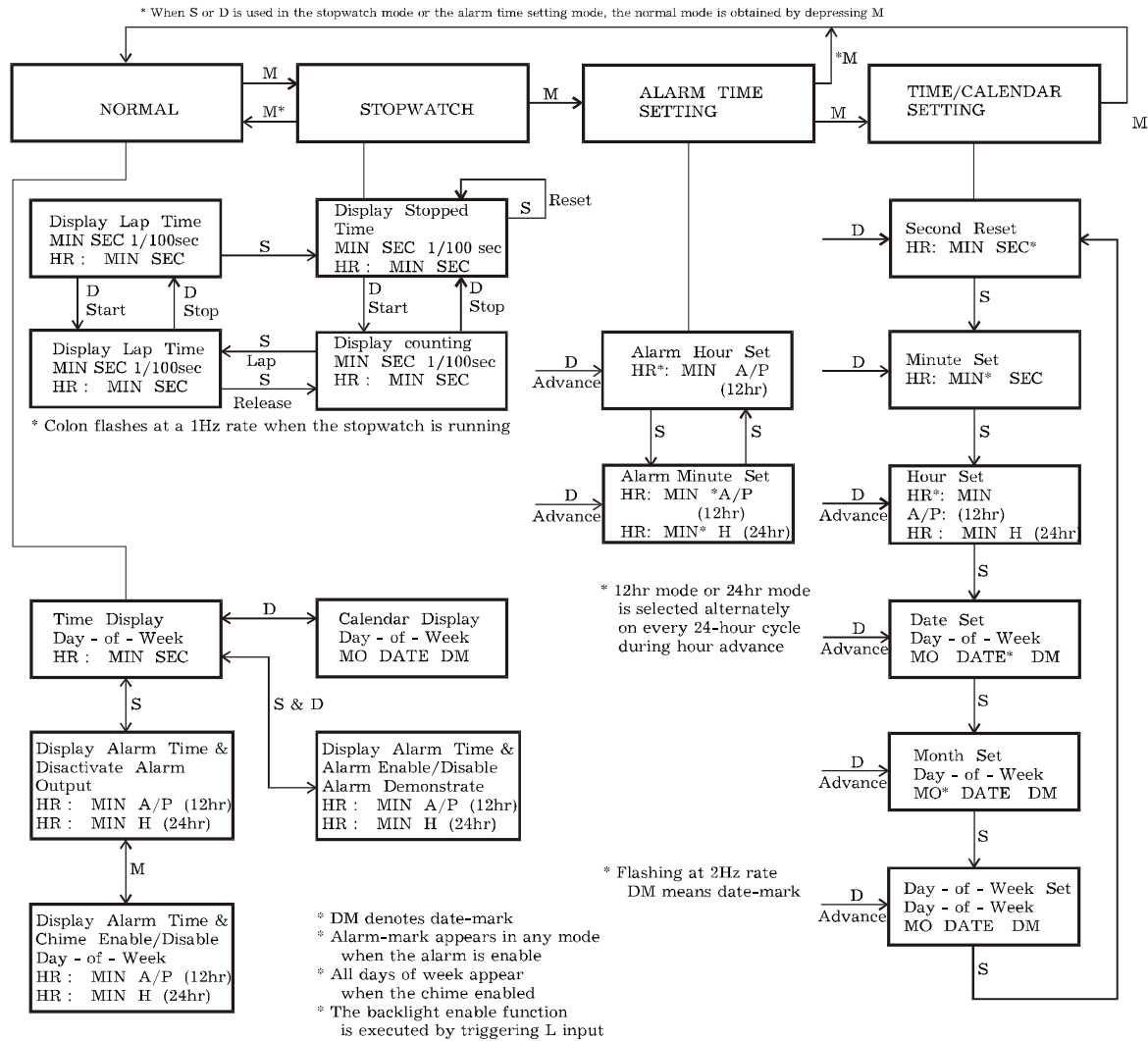
($T_a = 25^\circ\text{C}$, $V_{SS} = 0\text{V}$, $V_{CC} = 3.0\text{V}$ unless otherwise specified)

Characteristic	Symbol	Test Condition	Min	Typ	Max	Unit
Operating Voltage	V_{CC}		2.4	3.0	3.3	V
Supply Current	I_{CC}	Without load		1.5	2.5	μA
Oscillator Start Voltage	V_{OSC}				2.7	V
Alarm Drive Current (BD, BDN)	I_O	$V_{sat} = 0.5\text{V}$ (Both Direction)	0.5	2		mA
Pump Frequency	F_{PUMP}	IND Output		32,768		Hz
EL Frequency	F_{EL}	EL Output		512		Hz
Oscillator Input and Output Capacitors	C_{IN}, C_{OUT}			20		pF
Output Voltage for EL Drive	V_{EL}	$V_{CC}=3\text{V}$		110		V

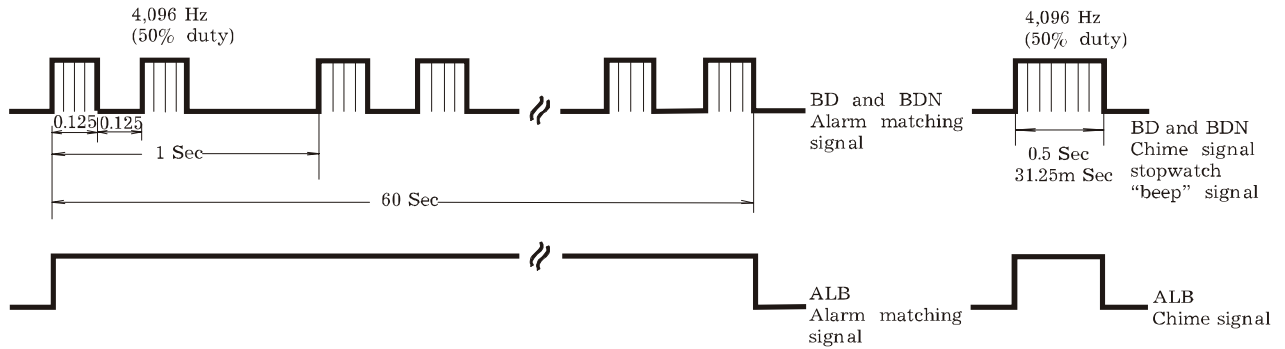
LCD FORMAT



SETTING SEQUENCE AND SWITCH OPERATION

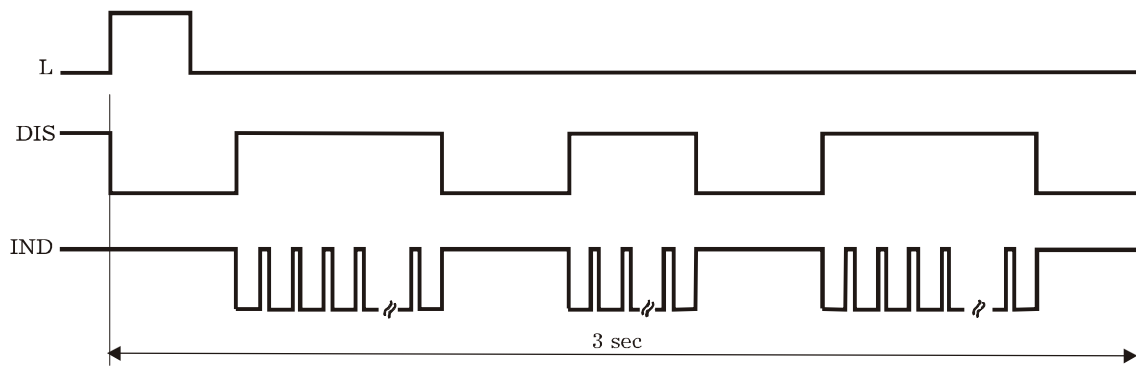


ALARM OUTPUT WAVEFORM

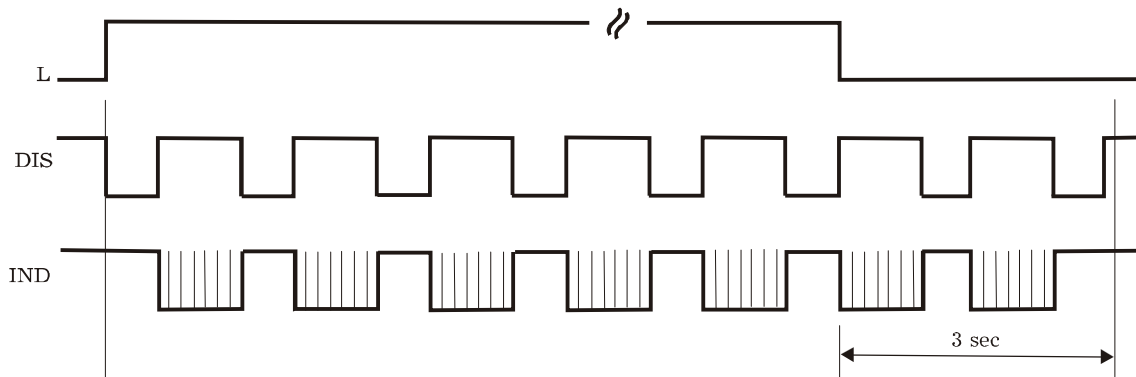


ELECTROLUMINESCENT LAMP OUTPUT WAVEFORM

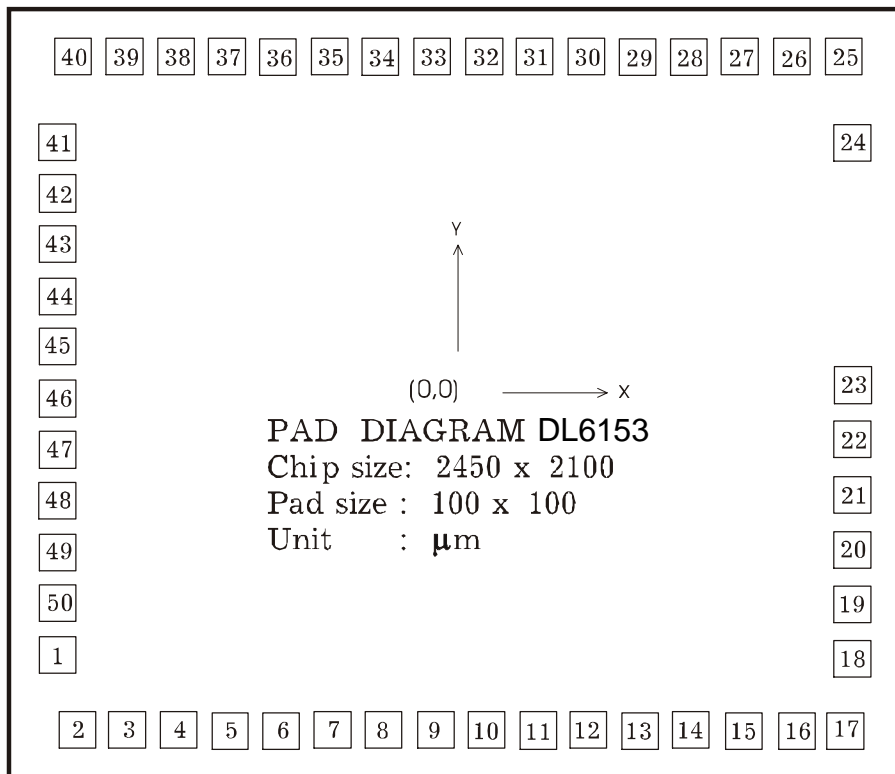
- IF PUSH L BUTTON ONCE



- IF BUTTON IS HOLD LONGER THEN 3 SECONDS



PAD DIAGRAM



NOTE: The chip substrate is electrically connected to V_{SS} .

PAD LOCATION

Pad No.	Pad Name	X	Y	Pad No.	Pad Name	X	Y	Pad No.	Pad Name	X	Y
1	" D	-1090	-713	18	" 6/C6	1080	-725	35	A2/MON	-349	920
2	OSCO	-1040	-920	19	T1	1080	-575	36	C1/" 1	-489	920
3	OSCI	-900	-920	20	T2	1080	-425	37	ADEG1/SUN	-629	920
4	F2/E2	-760	-920	21	V_{DD}	1080	-275	38	PM/AM	-769	920
5	G2/D2	-620	-920	22	V_{SS}	1080	-125	39	COM2	-909	920
6	" 2/C2	-480	-920	23	EL	1080	25	40	T3	-1049	920
7	F3/E3	-340	-920	24	IND	1080	684	41	T4	-1090	687
8	G3/D3	-200	-920	25	L	1051	920	42	M	-1090	547
9	" 3/C3	-60	-920	26	S	911	920	43	AC	-1090	407
10	F4/E4	80	-920	27	D	771	920	44	V_{CC}	-1090	267
11	G4/D4	220	-920	28	COM1	631	920	45	V_{DD}	-1090	127
12	" 4/C4	360	-920	29	DATE/AL	491	920	46	NC	-1090	-13
13	F5/E5	500	-920	30	A6/SAT	351	920	47	NC	-1090	-153
14	G5/D5	640	-920	31	A5/FRI	211	920	48	V_{SS}	-1090	-293
15	" 5/C5	780	-920	32	A4/THU	71	920	49	AL"	-1090	-433
16	F6/E6	920	-920	33	A3/WED	-69	920	50	" DN	-1090	-573
17	G6/D6	1060	-920	34	COLON/TUE	-209	920				