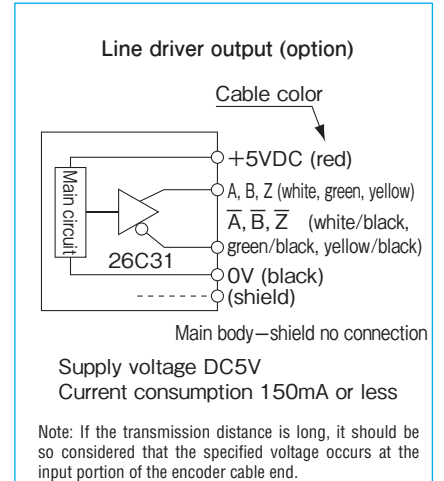
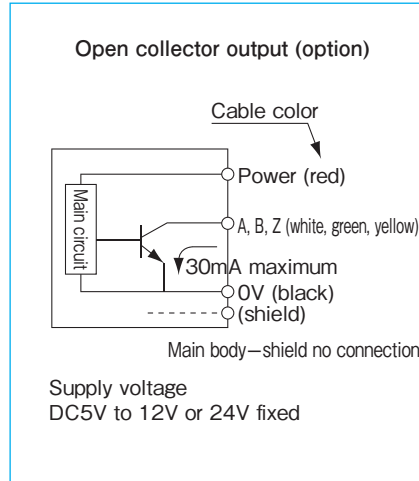
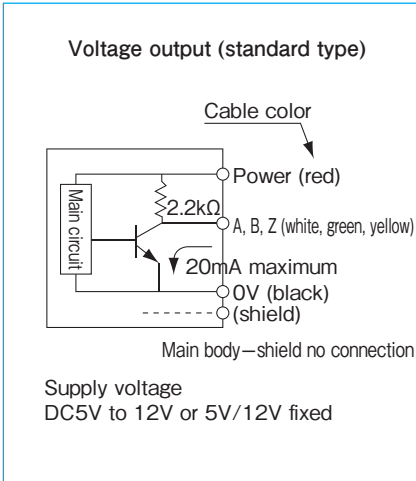


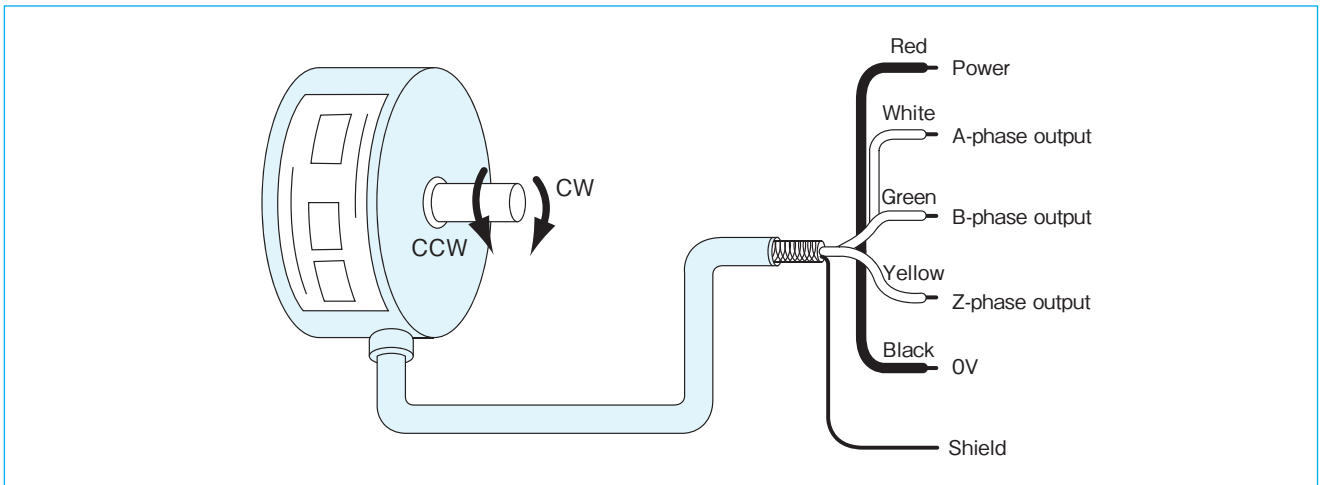
ME series [Square Wave/Incremental]

- Widely available from low pulse to high resolution pulse. A desired division pulse number is easily available because of internal manufacturing.
- Outside diameters are available in series from ultra-small type to large type and selection should be made in accordance with the fitting shaft and division pulse number.
- All products are of thin type, and especially the hole type is an encoder best suited for fitting.
- Investigation is possible under optimum conditions such as noise resistance and reduction in current consumption depending on the purpose of use.

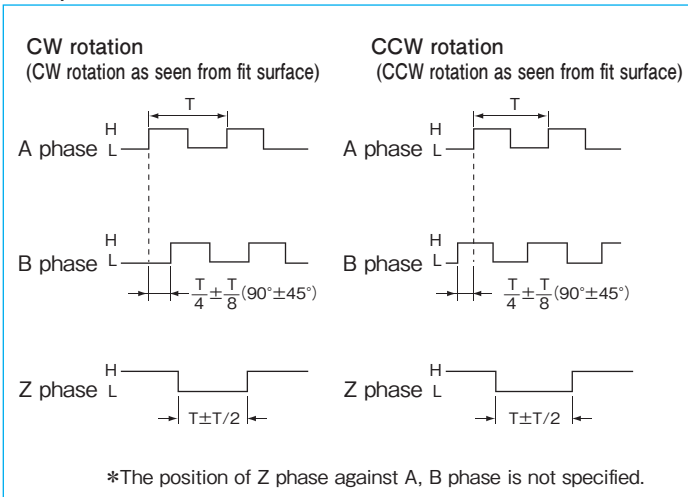
Output circuit diagram



A capacitor (0.1μF) is connected between 0V and FG (frame ground).



Output waveform



Connecting example

