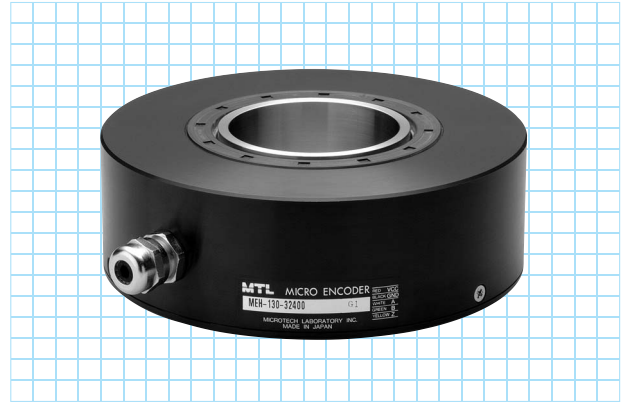


MEH-130-P series

[Square Wave/Incremental]



Specifications

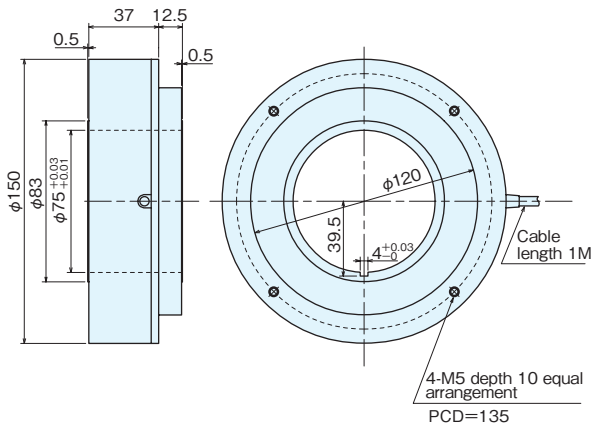
Type name		MEH-130-□□P□□	
Item		Pulse number Output circuit ●No entry=voltage output ●C=open collector output	●E=line driver output ●S=sine wave output ●ST□(2·4·5·8·10·16·20)
		Square wave	Built-in multiplication circuit (x2·x4·x5·x8·x10·x16·x20)
Supply voltage		Voltage/Open collector:DC5V-5%~12V+10% Open collector DC24V:DC24V±10% Line driver:DC5V±5%	Voltage:DC5V-5%~12V+10% Open collector:DC5V-5%~24V+10% Line driver:DC5V±5%
Current consumption		1,024 pulse or less 60mA or less 4,500 pulse or more 100mA or less (under no load)	150mA or less (under no load)
Detection system		Incremental	Incremental
Output	Output pulse number (Standard) [Pulse number/rotation]	360 5,000 28,125(*) 512 9,000 32,400(*) 600 11,250(*) 1,024 20,250(*) 4,500 25,000(*)	EX 32,400x2(64,800) 32,400x4(129,600) 32,400x5(162,000) 32,400x8(259,200) 32,400x10(324,000) 32,400x16(518,400) 32,400x20(648,000)
	Output phase	A, B, Z phase	A, B, Z phase
	Output form	Square wave	Square wave
	Output capacity	Sink current:20mA Residual voltage:0.5V or less (at 10mA)	-
	Maximum response frequency (response pulse number)	100kHz	Line driver output:75kHz×(by multiplication) Open collector output:100kHz
	Output phase difference	A, B phase difference 90°±45° (T/4±T/8) Z phase T±T/2 (see Output Waveform)	Refer to the figure on the right
	Waveform rise/fall time	2μs or less (output cable 1m or less)	-
Allowable load of shaft (electrical)	Radial	19.6N (2kgf)	19.6N (2kgf)
	Thrust	9.8N (1kgf)	9.8N (1kgf)
Maximum allowable revolutions (mechanical)		1,000r/min	1,000r/min
Working ambient temperature/humidity		0°C~60°C RH35%~90% no dewing	0°C~60°C RH35%~90% no dewing
Storing ambient temperature		-20°C~80°C	-20°C~80°C
Vibration resistance		Durability 55Hz, double amplitude 1.5mm 2 hours each in X, Y, and Z directions	Durability 55Hz, double amplitude 1.5mm 2 hours each in X, Y, and Z directions
Impact resistance		Durability 500m/s ² (about 50G) 3 times each in X, Y, and Z directions	Durability 500m/s ² (about 50G) 3 times each in X, Y, and Z directions
Cable		Outside diameter φ4.2 vinyl wire (1024P/R or less) Outside diameter φ6.5 (14-core) vinyl wire (4500P/R or more) Insulated shield cable (length 1m)	Outside diameter φ6.5 14-core vinyl wire Insulated shield cable (length 1m)
Mass		3kg	3kg

※Handled by built-in multiplier circuit

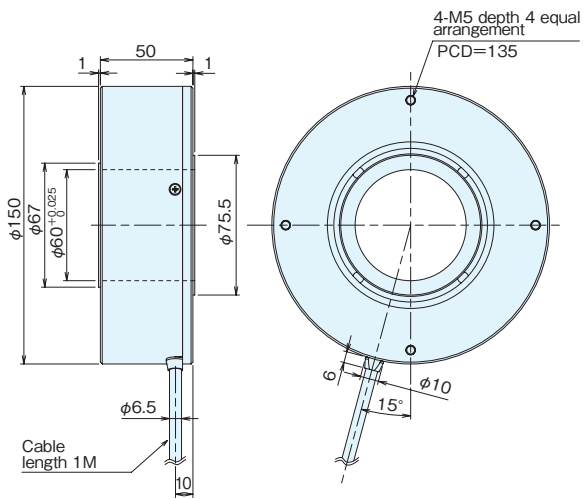
Outside dimensions

MEH-130-P

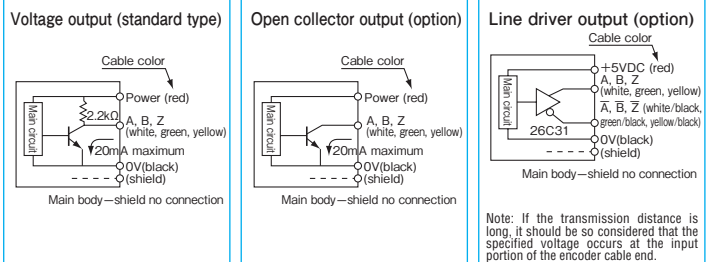
※1,024 pulse or less



**MEH-130-P (4,500 pulse or more)
MEH-130-PS, MEH-130-PST**

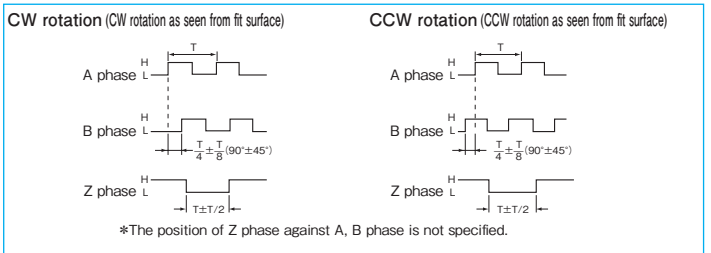


Output circuit diagram

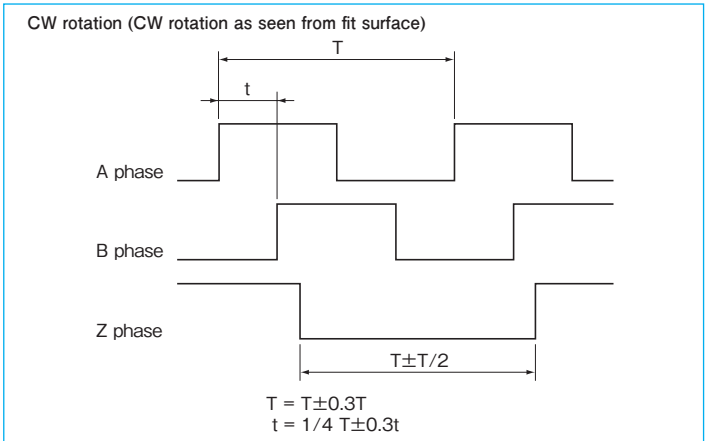


A capacitor (0.1μF) is connected between 0V and FG (frame ground).

Output waveform (Square wave)



Output waveform / Built-in multiplication circuit (x2·x4·x5·x8·x10·x16·x20)



Spring flange MEH-130 (Option)

