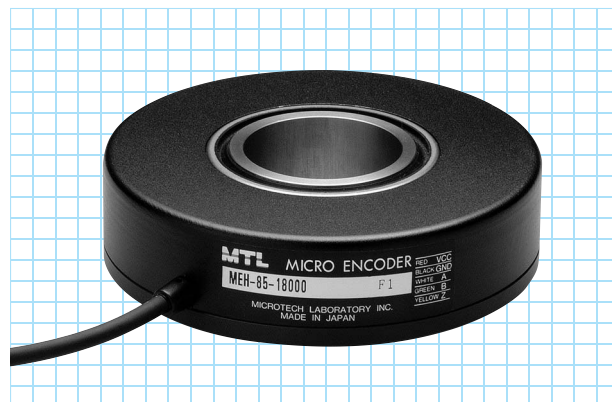


# MEH-85-P series

[Square Wave/Incremental]

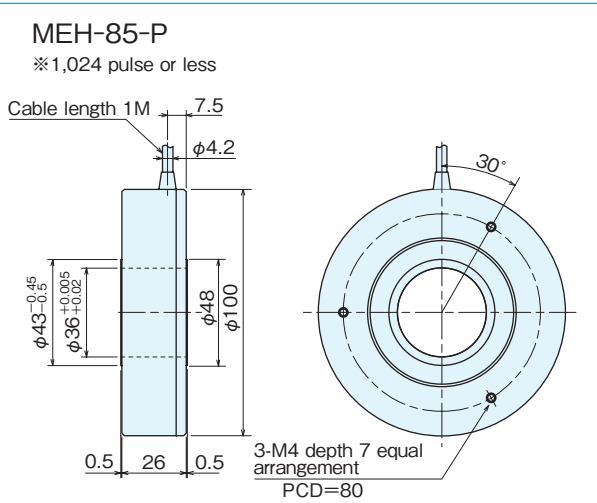


## Specifications

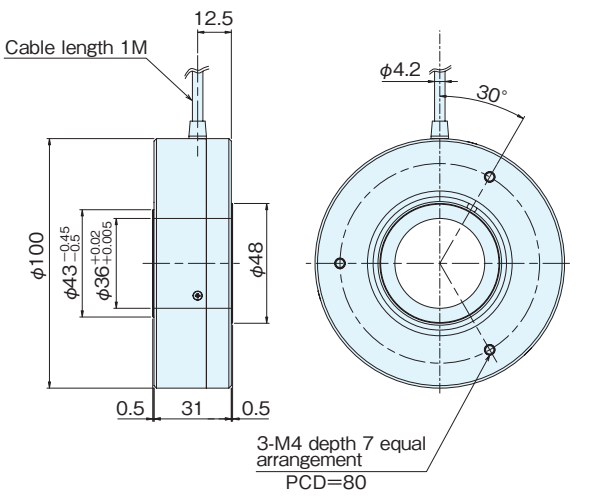
Type name		MEH-85-□□P□		
Item		Pulse number Output circuit ●No entry=voltage output ●C=open collector output ●C4=open collector output DC24V ●E=line driver output ●S=sine wave output ●ST□(2·4·5·8·10·16·20)		
		Square wave		Built-in multiplication circuit (×2·×4·×5·×8·×10·×16·×20)
Supply voltage		Voltage/Open collector:DC5V~12V+10% Open collector DC24V:DC24V±10% Line driver:DC5V±5%		Voltage:DC5V-5%~12V+10% Open collector:DC5V-5%~24V+10% Line driver:DC5V±5%
Current consumption		140mA or less (under no load)		140mA or less (under no load)
Detection system		Incremental		Incremental
Input	Output pulse number (Standard) [Pulse number/rotation]	150 200 500 1,000 1,024	1,500 3,600 4,500 5,400 5,625 7,200(*) 8,192(*) 10,800(*) 11,250(*) 18,000(*)	20,250(*) 21,600(*)
	Output phase	A, B, Z phase		A, B, Z phase
	Output form	Square wave		Square wave
	Output capacity	Sink current:20mA Residual voltage:0.5V or less (at 10mA)		—
	Maximum response frequency (response pulse number)	100kHz		Voltage/Open collector output:100kHz Line driver output:75kHz× (by multiplication)
	Output phase difference	A, B phase difference 90°±45° (T/4±T/8) Z phase T±T/2 (see Output Waveform)		Refer to the figure on the right
	Waveform rise/fall time	2μs or less (output cable 1m or less)		—
	Allowable load of shaft (electrical)	Radial	9.8N (1kgf)	
Thrust		4.9N (0.5kgf)		4.9N (0.5kgf)
Maximum allowable revolutions (mechanical)		1,000r/min		1,000r/min
Working ambient temperature/humidity		0°C~60°C RH35%~90% no dewing		0°C~60°C RH35%~90% no dewing
Storing ambient temperature		-20°C~80°C		-20°C~80°C
Vibration resistance		Durability 55Hz, double amplitude 1.5mm 2 hours each in X, Y, and Z directions		Durability 55Hz, double amplitude 1.5mm 2 hours each in X, Y, and Z directions
Impact resistance		Durability 500m/s <sup>2</sup> (about 50G) 3 times each in X, Y, and Z directions		Durability 500m/s <sup>2</sup> (about 50G) 3 times each in X, Y, and Z directions
Cable		Outside diameter φ4.2 5-core vinyl wire Insulated shield cable (length 1m)		Outside diameter φ4.2 5-core vinyl wire Insulated shield cable (length 1m)
Mass		520g	620g	1,050g

\*Handled by built-in multiplier circuit

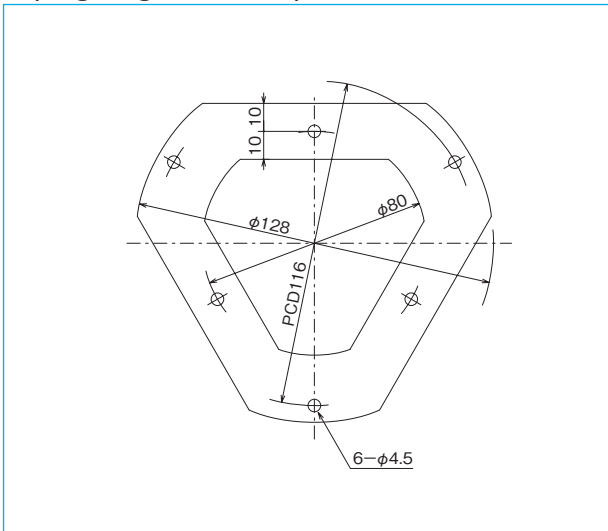
**Outside dimensions**



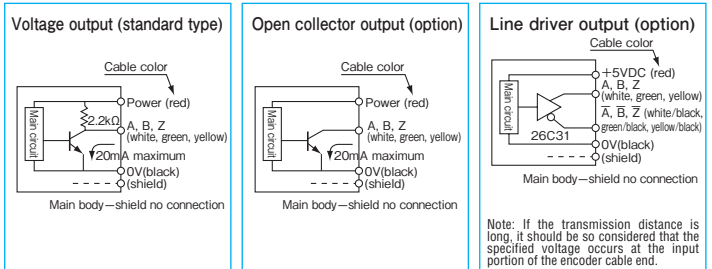
MEH-85-P (1,500 pulse or more),  
MEH-85-PS, MEH-85-PST



**Spring flange MEH-85 (Option)**

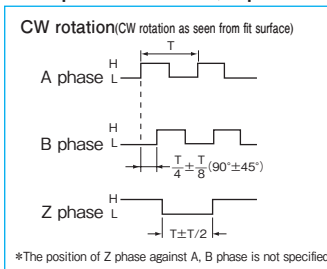


**Output circuit diagram**



A capacitor (0.1μF) is connected between 0V and FG (frame ground).

**Output waveform (Square wave)**



**Output waveform / Built-in multiplication circuit (×2·×4·×5·×8·×10·×16·×20)**

