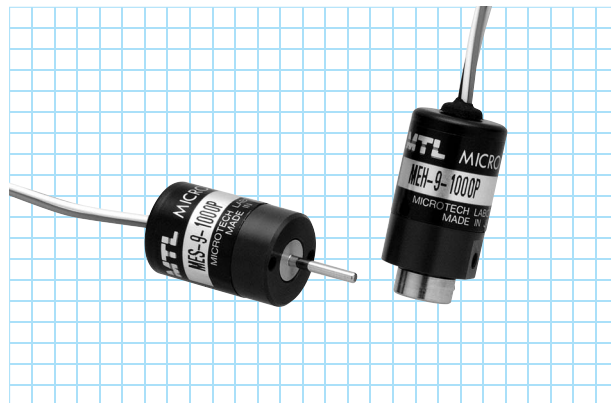


ME-9-P series

[Square Wave/Incremental]



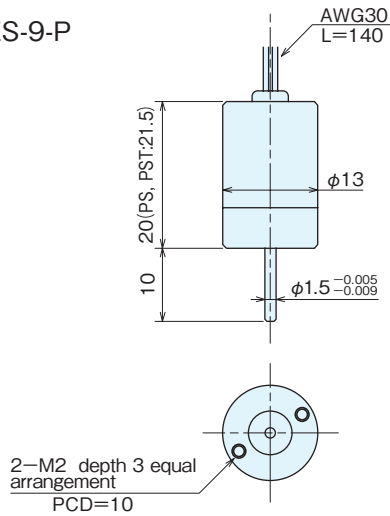
Specifications

Type name		ME□-9-□P□		
Item		Shaft shape ●S=single shaft ●H=hollow shaft		
		Pulse number ●Noentry=Voltage output ●C=open collector output ●E=line driver output		
		Output circuit ●S=sine wave output ●ST□(2·4·8·16)		
		Square wave	Built-in multiplication circuit (×2·×4·×8·×16)	
Supply voltage		DC5V ±10%	DC5V ±5%	
Current consumption		40mA or less (under no load)	50mA or less (under no load)	
Detection system		Incremental		
Output	Output pulse number (Standard)	32 100 200 256	300 360 500	
	[Pulse number/rotation]	900(※) 1,000(※) 1,024	EX 1,000×2 (2000) 1,000×4 (4000) 1,000×8 (8000) 1,000×16 (16000)	
	Output phase	A, B, Z phase (Z="H")		
	Output form	Square wave		
	Output capacity	Sink current:20mA Residual voltage:0.5V or less (at 10mA) Open collector output:Load voltage DC13.2V max		
	Maximum response frequency (response pulse number)	100kHz		
	Output phase difference	A, B phase difference 90°±45° (T/4±T/8) Z phase T±T/2 (see Output Waveform)		
	Waveform rise/fall time	2μs or less (output cable 140mm or less)		
	Allowable load of shaft (electrical)	Radial	1.9N (200gf)	0.98N (100gf)
		Thrust	1.9N (200gf)	0.98N (100gf)
Maximum allowable revolutions (mechanical)	6,000r/min			
Working ambient temperature/humidity	0°C~60°C RH35%~90% no dewing			
Storing ambient temperature	-20°C~80°C			
Vibration resistance	Durability 55Hz, double amplitude 1.5mm 2 hours each in X, Y, and Z directions			
Impact resistance	Durability 500m/s ² (about 50G) 3 times each in X, Y, and Z directions			
Cable	Voltage·Open collector:Vinyl wire (AWG30) Cable length 140mm Line driver·Vinyl wire (AWG32) Cable length 330±10mm			
Mass	10g			
		20g		

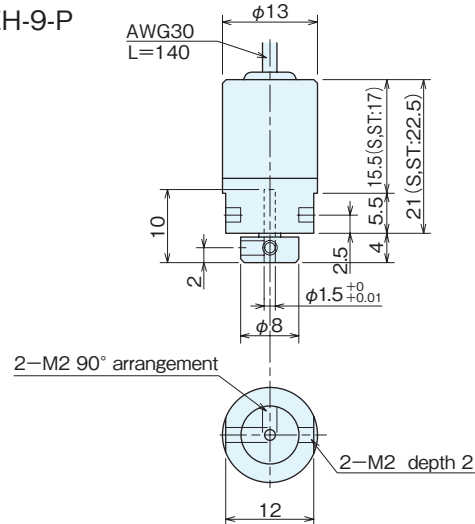
※Handled by built-in multiplier circuit

Outside dimensions

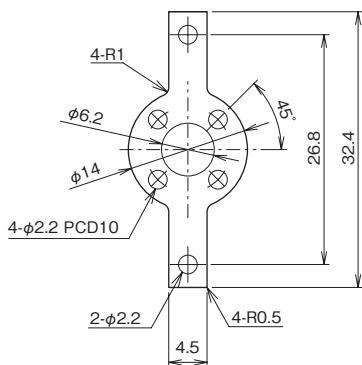
MES-9-P



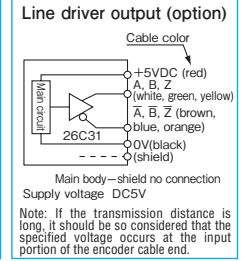
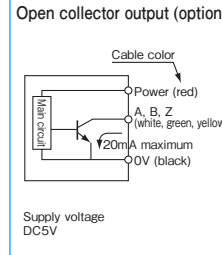
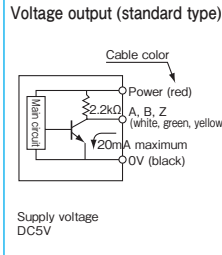
MEH-9-P



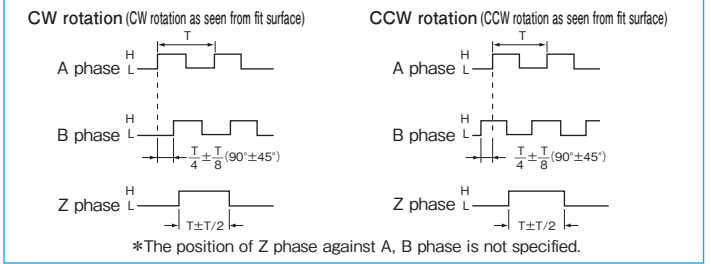
Spring flange MEH-9(Included)



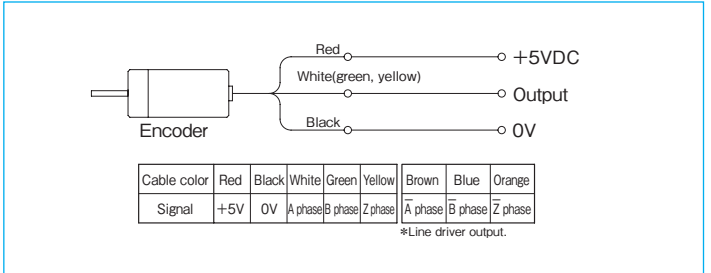
Output circuit diagram (Square wave)



Output waveform (Square wave)



Output connection diagram / Built-in multiplication circuit (x2·x4·x8·x16)



Output waveform / Built-in multiplication circuit (x2·x4·x8·x16)

