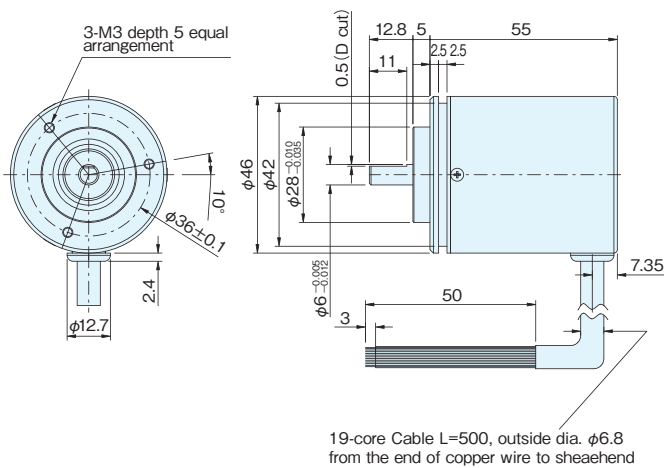


# MXS-36-series

[High-resolution Multiple-rotation  
(64 rotations max) Absolute Type Encoder]



## Outside dimensions



## Specifications

Item	Type name	MXS-36-□□□□□△C6-□□
	Number of turns	□□□□□
	One rotation resolution	□□□□□
	Output signal code	△
	Option N: Negative logic	□
	Option V: Increment on reverse rotation (V indicates values increases in CCW direction)	□
Supply voltage	DC5V-5%~24V+15%	
Current consumption	150mA or less (under no load)	
Output code	G: gray code N: pure binary code	
Output circuit	NPN open collector	
Output logic	No mark: positive logic; N: negative logic	
Output pulse number (Standard)	128	1,024
[Pulse number/rotation]	256	512
Rotation number	2·4·8·16·32·64	
Maximum response frequency	40kbit/s (10kbit/s at guaranteed accuracy)	
Shaft allowable load (electrical)	Radial	19.6N (2kgf)
	Thrust	9.8N (1kgf)
Working temperature/humidity	-10°C~70°C/RH95% or less (no dewing)	
Storage temperature	-20°C~80°C	
Vibration resistance	Durability 0-500Hz, double amplitude 1.52mm 2 hours each in X, Y, and Z directions	
Impact resistance	Durability 11msec (about 50G) 3 times each in X, Y, and Z directions	
Mass	170g or less (excluding cable)	

## Connection

Cable color	Output signal	Cable color	Output signal
Brown	2 <sup>0</sup>	Purple	2 <sup>10</sup>
Brown/Black	2 <sup>1</sup>	Purple/Black	2 <sup>11</sup>
Orange	2 <sup>2</sup>	Gray	2 <sup>12</sup>
Orange/Black	2 <sup>3</sup>	Gray/Black	2 <sup>13</sup>
Yellow	2 <sup>4</sup>	White	2 <sup>14</sup>
Yellow/Black	2 <sup>5</sup>	White/Black	2 <sup>15</sup>
Green	2 <sup>6</sup>	Red	Vcc
Green/Black	2 <sup>7</sup>	Black	COMMON
Blue	2 <sup>8</sup>	Shield (*)	Cable shield
Blue/Black	2 <sup>9</sup>	—	—

(\*) shielding cable is non-connected in encoder.