

PMISS/PMIB3 POSIMAG

Magneto-resistive Position Sensor

Accessories



Masking tape

PMAB:

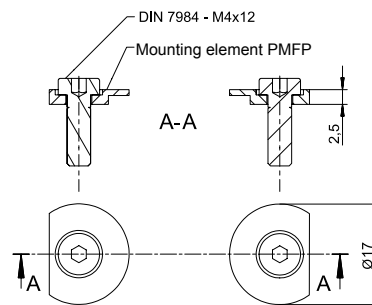
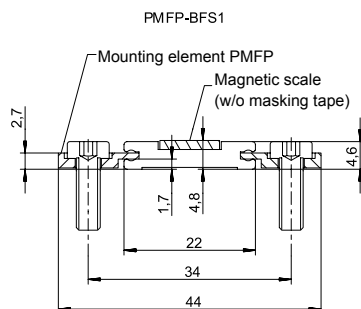
Masking tape made of stainless steel for POSIMAG magnetic scale PMIB3, width 10 mm, thickness 0.2 mm



Outline drawing

flat profile

PMFP

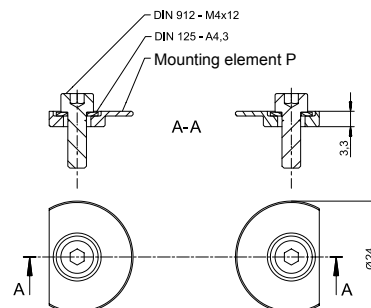
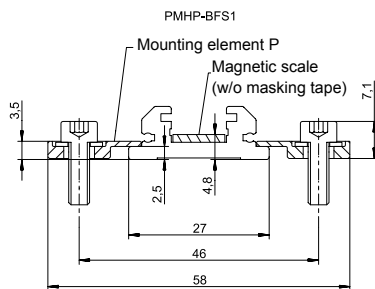


Mounting set PMFP-BFS1

Outline drawing

high profile

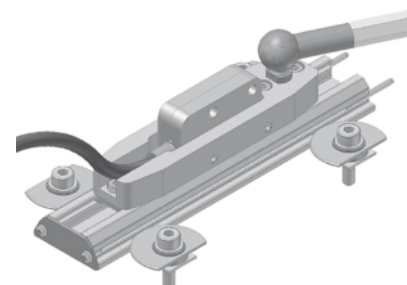
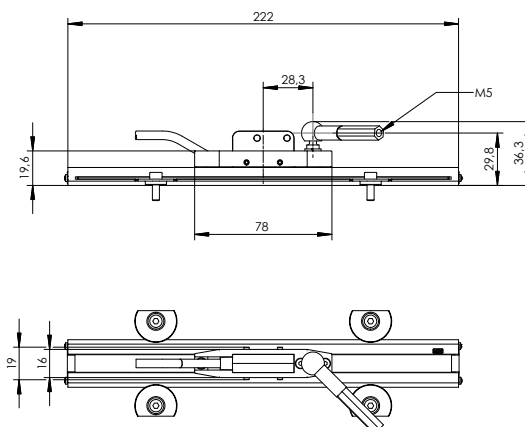
PMHP



Mounting set PMHP-BFS1

Slider for high profile

PMGW3



Dimensions informative only. For guaranteed dimensions consult factory.