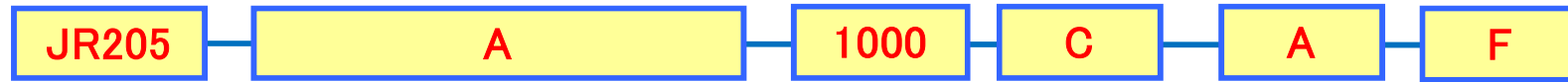




# Magnetic Rotary Encoder Part Number Table



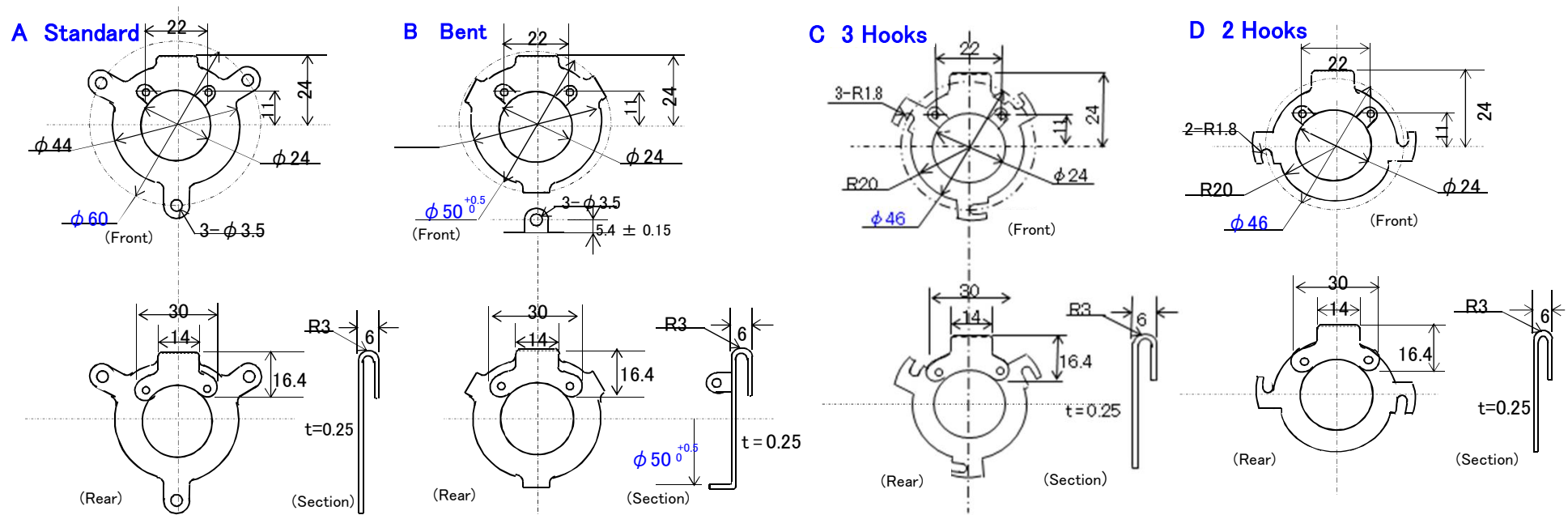
| Series   | Output Type   |  |              | Resolution<br>Pulse/Revolution | Hollow Shaft<br>Bore Diameter  | Bracket<br>Refer to page 2.  | Frame<br>GND or not                 | Operation Temperature<br>Range  |
|--|---------------|--|--------------|--------------------------------|--|--|-------------------------------------|---|
|  | Type          | Output   | Supply Volt. |                                |  |  |                                     |   |
| <b>JR205</b><br>Incremental AB<br>+ Index Z  | <b>A</b> :    | Open Collector Positive Logic  | 5 ~ 12V      | 300 ppr                        | <b>C</b> : $\phi$ 8.00mm<br><b>S</b> : $\phi$ 6.35mm                                   | <b>A</b> : Standard<br><b>B</b> : Bent type of A<br><b>C</b> : 3 Hook type<br><b>D</b> : 2 Hook type<br><b>J</b> : Spacer type<br>Refer to page 2. | <b>F</b> : GND<br><b>N</b> : no GND | Standard of the Series.<br>-20°C ~ +90°C<br>Dew deposit is not permitted.                                   |
|  | <b>-24A</b> : | Open Collector Positive Logic  | 24V          | 360 ppr                        |  |  |                                     |   |
|  | <b>C</b> :    | Voltage Output Positive Logic  | 5 ~ 12V      | 500 ppr                        |  |  |                                     |   |
|  | <b>-24C</b> : | Voltage Output Positive Logic  | 24V          | 1000 ppr                       |  |  |                                     |   |
|  | <b>D</b> :    | Line Driver  | 5V           | 1024 ppr                       |  |  |                                     |   |
| <b>JR105</b><br>Incremental AB only<br>Same AB signals with<br>JR205 but no Z signal | <b>B</b> :    | <b>A</b> Open Collector & <b>C</b> Voltage Output are with positive logic <b>Z</b> signal for standard items.<br>Negative logic <b>Z</b> signal is available as an option. |              | 2000 ppr                       | Ordinary shaft,<br>$6.0 \leq \Phi \leq 8.0$ mm,<br>is available on<br>special request. | Refer to page 2.   |                                     | D Line Driver -30°C~+90°C<br>Dew deposit is not permitted.  |
|  |               |  | 5V           | 2048 ppr                       |  |  |                                     |   |
| <b>JR215</b><br>Incremental AB<br>+ Index Z<br>High Temperature<br>Resistant         | <b>A</b> :    | Open Collector Positive Logic  | 5 ~ 12V      | 300 ppr                        | <b>C</b> : $\phi$ 8.00mm<br><b>S</b> : $\phi$ 6.35mm                                   | <b>A</b> : Standard<br><b>B</b> : Bent type of A<br><b>C</b> : 3 Hook type<br><b>D</b> : 2 Hook type<br><b>J</b> : Spacer type<br>Refer to page 2. | <b>F</b> : GND<br><b>N</b> : no GND | High temperature resistant<br>-20°C ~ +115°C<br>Dew deposit is not permitted.                               |
|  | <b>-24A</b> : | Open Collector Positive Logic  | 24V          | 360 ppr                        |  |  |                                     |   |
|  | <b>C</b> :    | Voltage Output Positive Logic  | 5 ~ 12V      | 500 ppr                        |  |  |                                     |   |
|  | <b>-24C</b> : | Voltage Output Positive Logic  | 24V          | 1000 ppr                       |  |  |                                     |   |
|  | <b>B</b> :    | Negative logic <b>Z</b> signal is available as an option for <b>A</b> and <b>C</b> .   |              | 1024 ppr                       |  |  |                                     |   |
| <b>JR305</b><br>Incremental AB<br>+ Index Z<br>High Humidity<br>Resistant            | <b>A</b> :    | Open Collector Positive Logic  | 5 ~ 12V      | 300 ppr                        | <b>C</b> : $\phi$ 8.00mm<br><b>S</b> : $\phi$ 6.35mm                                   | <b>A</b> : Standard<br><b>B</b> : Bent type of A<br><b>C</b> : 3 Hook type<br><b>D</b> : 2 Hook type<br><b>J</b> : Spacer type<br>Refer to page 2. | <b>F</b> : GND<br><b>N</b> : no GND | High humidity resistant<br>-30°C ~ +90°C<br>Dew deposit could<br>damage the circuit.                        |
|  | <b>-24A</b> : | Open Collector Positive Logic  | 24V          | 360 ppr                        |  |  |                                     |   |
|  | <b>C</b> :    | Voltage Output Positive Logic  | 5 ~ 12V      | 500 ppr                        |  |  |                                     |   |
|  | <b>-24C</b> : | Voltage Output Positive Logic  | 24V          | 1000 ppr                       |  |  |                                     |   |
|  | <b>D</b> :    | Line Driver  | 5V           | 1024 ppr                       |  |  |                                     |   |
| <b>JR55</b><br>Incremental AB<br>RoHS compliant ones<br>are not available.           | <b>-24A</b> : | Open Collector   | 5 ~ 24V      | 300 ppr                        | <b>C</b> : $\phi$ 8.00mm<br><b>S</b> : $\phi$ 6.35mm                                   | <b>A</b> : Standard<br><b>B</b> : Bent type of A<br><b>C</b> : 3 Hook type<br><b>D</b> : 2 Hook type   | <b>F</b> : GND<br><b>N</b> : no GND | Temporarily discontinued<br>-10°C ~ +80°C<br>Dew deposit is not permitted.<br>Non-RoHS 500ppr is available. |
|  | <b>C</b> :    | Open Collector   | 5V           | 360 ppr                        |  |  |                                     |   |
|  | <b>-12C</b> : | Voltage Output   | 5 ~ 12V      | 500 ppr                        |  |  |                                     |   |
|  | <b>-24C</b> : | Voltage Output   | 24V          | 600 ppr                        |  |  |                                     |   |
|  | <b>D</b> :    | Line Driver  | 5V           |                                |  |  |                                     |   |

Made by Taiho Products Co., Ltd. E-Mail: [m.ogawa-taiho.astec@parkcity.ne.jp](mailto:m.ogawa-taiho.astec@parkcity.ne.jp) Tel.: 090-5207-9979 Fax.: 0422-56-1330

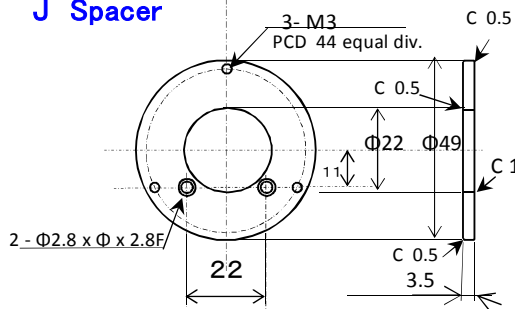
Sold by Astec Co., Ltd. E-Mail: [m.ogawa-taiho.astec@parkcity.ne.jp](mailto:m.ogawa-taiho.astec@parkcity.ne.jp)

Contact: Tokyo Sales Office :  
Mail: [m.ogawa-taiho.astec@parkcity.ne.jp](mailto:m.ogawa-taiho.astec@parkcity.ne.jp)

## Bracket



## J Spacer



- \* Magnetic rotary encoder stands against severe environment, like high temperature, high humidity, vibration, mechanical shock, oil, oil mist, paper-fiber dusts, etc.
- \* In a case,  $\Phi 52 \times 31$ mm, a rotor can have max. 2048 magnetic poles and signals are output without any interpolation. Therefore, JR Series encoder can output signals with the highest class accuracy as a magnetic encoder.
- \* A hollowshaft for easy mounting without a coupling. Ordinary shaft,  $6.0 \leq \Phi \leq 8.0$ mm can be made on request.
- \* Modified specification from JR205 can be made when repeated order is expected.

### \* Examples of Application:

Various kinds of metal processing machines, Textile machine, Corrugated box machine, Food processing machine, Stage lighting system, Car transmission, Fishing boat, Elevator, Robots, etc.

Most of the case, encoder is attached onto a shaft of servomotor used for the above stated example applications.

