

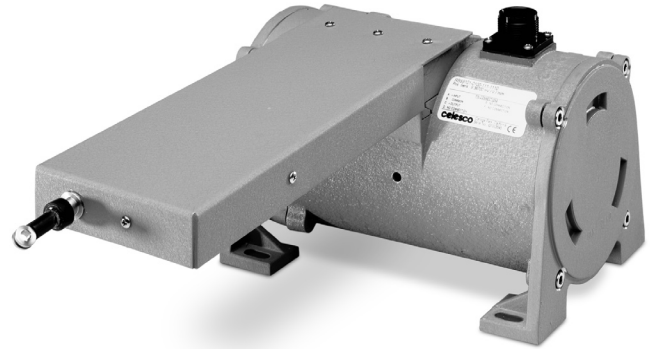
All PT9000 & PT9000 Extended Range Series
 Ranges: 0-75 to 0-1700 inches
 Aluminum or Stainless Steel Enclosure

RBS9000

RBS option offers extra protection against
 extraordinarily dirty environments

RBS option reduces the cable-exit opening down
 to a single point to prevent excess debris from
 entering the spool cavity

RBS option uses two sets of cable brushes to
 help clean the measuring cable before it is
 retracted into the enclosure



Designed for extreme applications where exceptional amounts of dirt, spray or some other foreign matter may enter through the standard PT9000 'slot opening' and interfere with the cable reel mechanism.

The RBS9000 reduces the cable opening down to a single-point exit to block most debris from entering the cable-reel area. Because some debris may get drawn into the transducer by the measuring cable upon retraction, we've taken two measures to help reduce that:

First, each RBS9000 is constructed using our nylon-coated measuring cable which has a smooth layer of protection that helps keep debris from clinging to it.

Second, the measuring cable passes through two integral brushes which help wipe away any matter that may be clinging to it.

Ordering Information:

The appropriate PT9000 Series transducer can be selected from any model found in the Celesco PT9000 and PT9000 Extended sections in the Celesco catalog. VLS is used as a prefix for all VLS model designations.

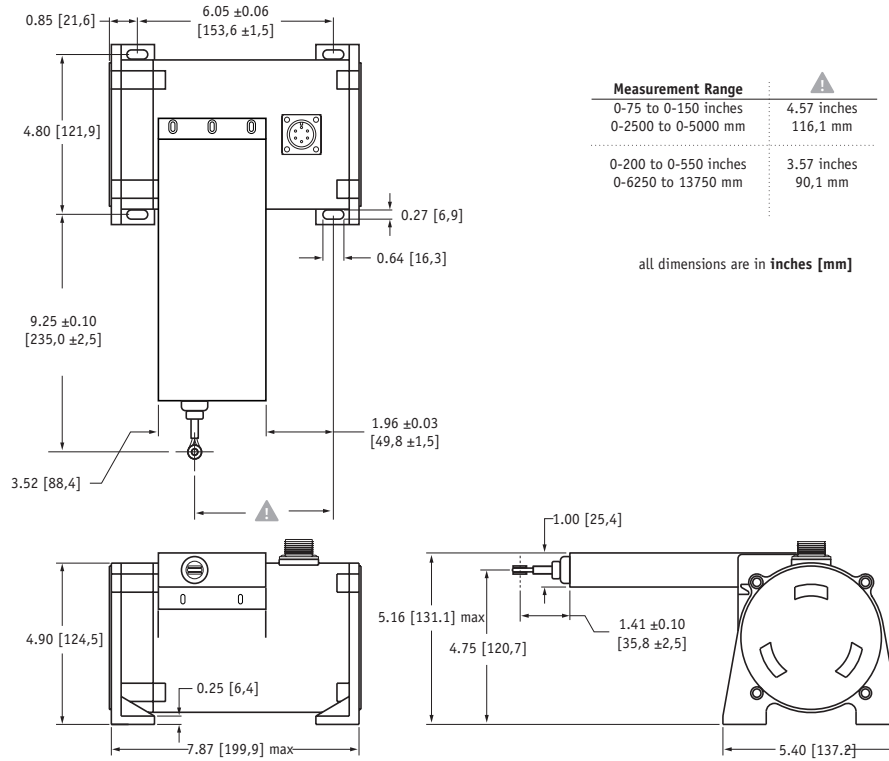
RBS _____ - _____ **0**
R A B C D E F G

creating RBS model number (example):

- PT9101-0600-111-1110** select **PT9000** model
- ~~**PT**~~ **9101-0600-111-1110** remove "PT"
- RBS + 9101-0600-111-1110** add "RBS"
- RBS9101-0600-111-1110** completed model number

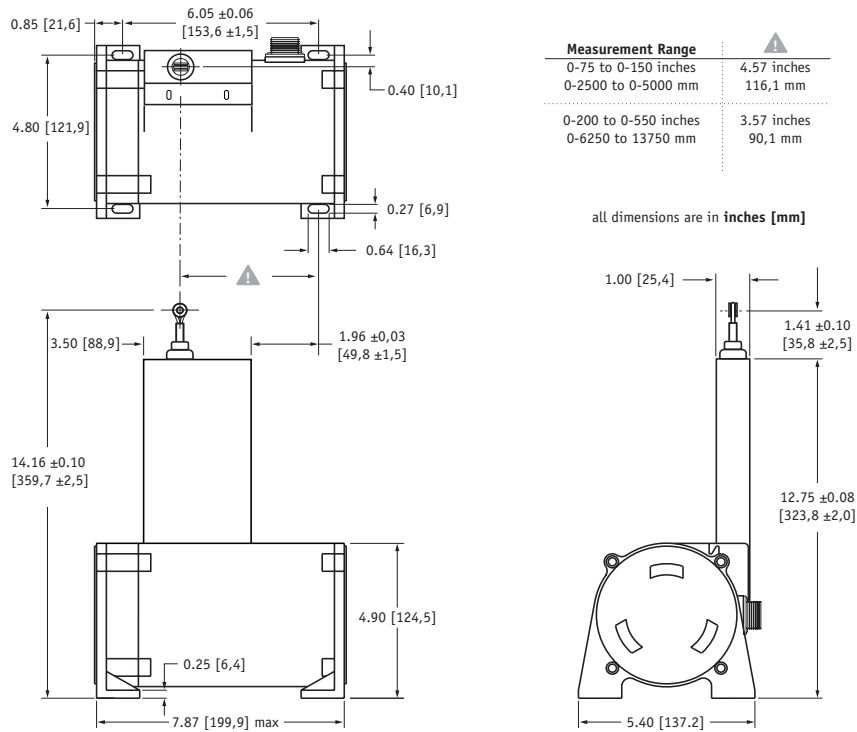
Important –RBS option only available with nylon-coated measuring cable

Front Cable Exit Option



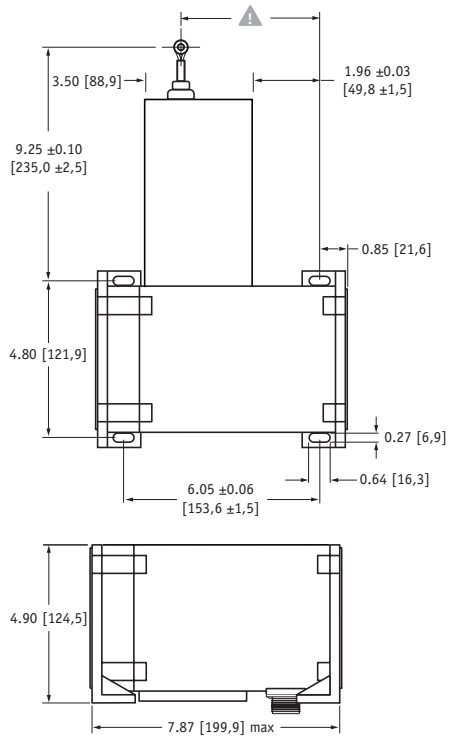
Note: Dimensions not valid for "increased cable tension" option. Consult factory for dimensions.

Top Cable Exit Option



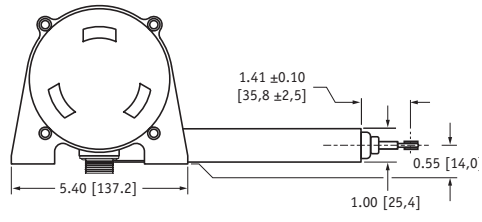
Note: Dimensions not valid for "increased cable tension" option. Consult factory for dimensions.

Rear Cable Exit Option



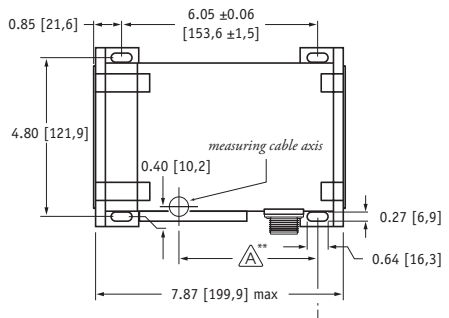
Measurement Range	△
0-75 to 0-150 inches	4.57 inches
0-2500 to 0-5000 mm	116,1 mm
0-200 to 0-550 inches	3.57 inches
0-6250 to 13750 mm	90,1 mm

all dimensions are in inches [mm]



Note: Dimensions not valid for "increased cable tension" option. Consult factory for dimensions.

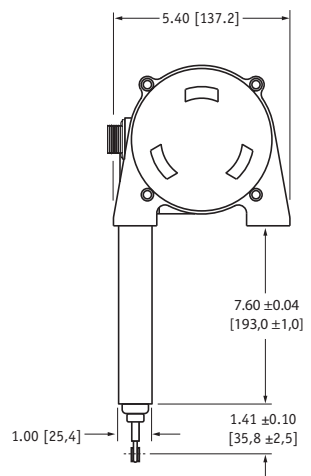
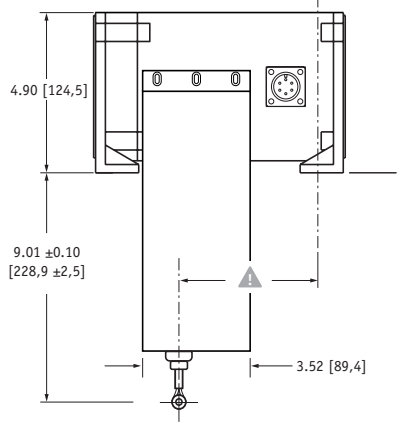
Bottom Cable Exit Option



Measurement Range	△
0-75 to 0-150 inches	4.57 inches
0-2500 to 0-5000 mm	116,1 mm
0-200 to 0-550 inches	3.57 inches
0-6250 to 13750 mm	90,1 mm

all dimensions are in inches [mm]

**Note: see "A" dimension on PT9000 outline drawing



Note: Dimensions not valid for "increased cable tension" option. Consult factory for dimensions.

version: 1.0 last updated: March 30, 2005