

## Model FN7110

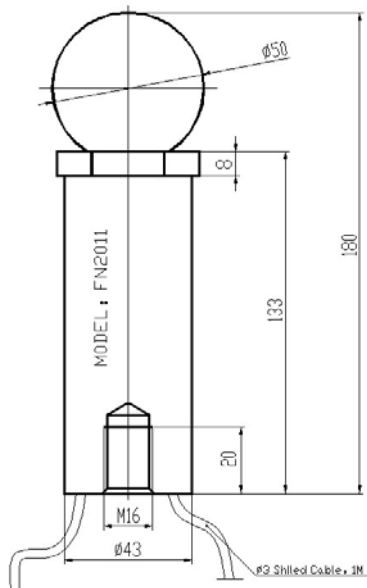
### U-Beam Load Cell (500N ~1000N)

The FN7110 -beam load cell is designed for industrial scale conversion and a variety of process applications.

- Miniature strength sensor.
- Fully welded seal with stainless steel cover for hostile environment applications.

### SPECIFICATIONS

技术参数 Technical Data	单位 Unit	UBB
额定载荷 Emax (Rated Capacity)	N	500,1000,
		1
双额定输出 (Rated Output)	V	±10
零点平衡 (Zero Balance)	mV/V	0±0.1
综合精度 ( Comprehensive precision)	%	0.5
温度对零点影响 (Temperature Effect On Zero)	%/10K	±0.1
非线性误差 (Non-Linearity)	%	±0.1
滞后误差 (Hysteresis Error)	%	±0.1
蠕变及蠕变恢复 (Creep/30 Min)	%	±0.1
输入电阻 (Input Resistance)	Ω	350±20
输出电阻 (Output Resistance)	Ω	350±3
参考电压 (Reference Excitation Voltage)	V	24
最大工作电压 (Maximum Excitation Voltage)	V	30
绝缘电阻 (Insulation Resistance)	GΩ/100V	>2
额定温度范围 (Nominal Temperature Range)	℃	-10~+40
工作温度范围 (Operating Temperature Range)	℃	-20~+50
储存温度范围 (Storage Temperature Range)	℃	-30~+70
安全承载 (Safe Load Limit)	%	150
极限承载 (Breaking Load)	%	200
材料 (Material)		Alloy steel
保护等级 (Protection class)		IP66



\* Specifications are subject to change without notice

Shanghai AnruiAutomaticInstrument Co.,Ltd