

KD/STZ/KDB

Force Transducers

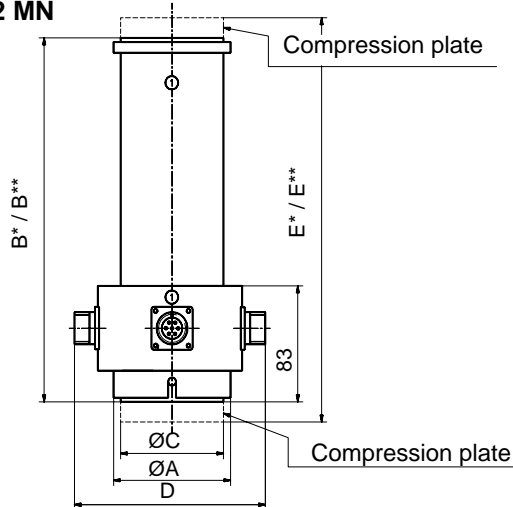


Special features

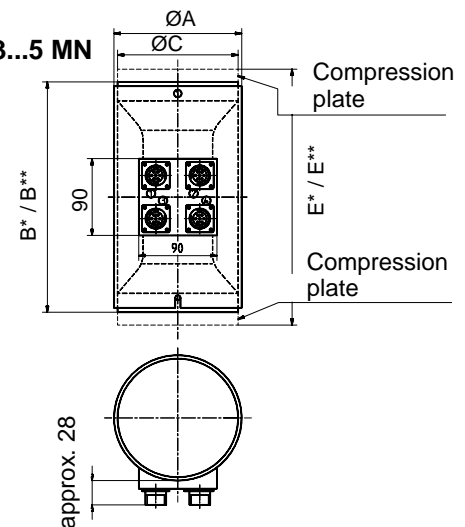
- Tensile force / compressive force transducers
- Nominal forces 600 kN ... 5 MN
- Standard: 4 full bridges for direct bending moment acquisition
- KD/STZ-specification for material testing machines
- KDB-specification for compression strength testing machines for building materials

Dimensions (in mm; 1 mm= 0.03937 inches)

KD 1...2 MN



KD 3...5 MN



For materials testing machines: *) Class 1; **) Class 2

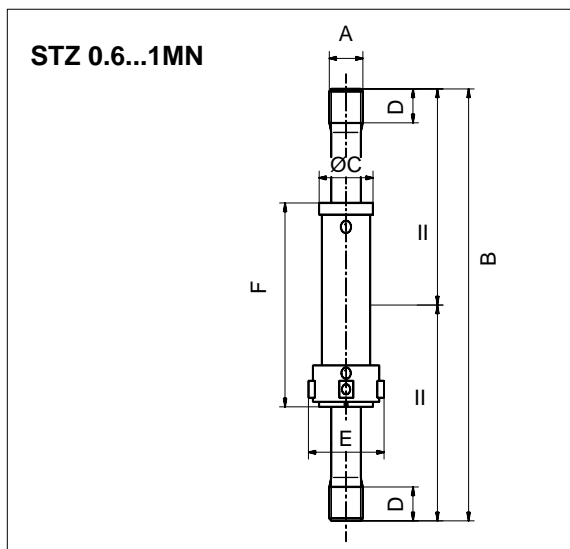
Weight without wooden box

typ. ord.no.	ØA	B*	B**	ØC	approx. D	E*	E**	Weight
1-KD / 1 MN	91	270	185	80	155	300	205	10 kg* / 7 kg**
1-KD / 2 MN	124	270	185	113	188	300	205	18 kg* / 15 kg**
1-KD / 3 MN	147	270	185	139	-	320	205	27 kg* / 18 kg**
1-KD / 5 MN	189	370	290	179	-	440	350	64 kg* / 53 kg**

Specifications KD / STZ

Type	KD compression cylinder				STZ tension bar			
Data according to VDI 2638 standards								
Nominal force	F_{no} m	kN	1 000	2 000	3 000	5 000	600	1 000
Class under EN 10002-3 (0.2 F_{nom} to F_{nom}) ¹⁾			0.5					
Nominal sensitivity	C_{nom}	mV/V	2.3 to 2.4					
Rel. zero point compensation (zero signal return)	f_0	%	< 0.025 (typ. 0.012)					
Relative range (0.2 F_{nom} to F_{nom}) at unchanged mounting position, typ.	b_i	%	0.02					
different mounting positions, typ.	b	%	0.07					
Relative range of inversion (0.2 F_{nom} to F_{nom})	u	%	0.13 (typ. 0.07)					
Effect of temperature on sensitivity / 10 K by reference to nominal sensitivity	TK_C	%	0.1					
Effect of temperature on the zero signal / 10 K by reference to nominal sensitivity	TK_0	%	0.1					
Number of strain gauge full bridges			4					
Input resistance	R_e	Ω	700 ± 2 %					
Isolation resistance	R_{is}	Ω	> 5 × 10 ⁹					
Reference excitation voltage	U_{ref}	V	5					
Operating range of excitation voltage	$B_{U,G}$	V	0.5 ... 12					
Nominal temperature range	$B_{t,nom}$	°C	+10...+40					
Storage temperature range	$B_{t,S}$	°C	-25...+85					
Reference temperature	t_{ref}	°C	+22					
Max. operational force	(F_G)	%	115					
Weight, approx.			kg					
Degree of protection to DIN EN 60529			IP64					
Electrical connection			4 MS3102A16S-1S device boxes					

¹⁾ Classification can only be obtained in conjunction with a DKD calibration under EN10002-3 or ISO376 from HBM



These special KD and STZ transducers are used to check out material testing machines and are designed in accordance to EN10002-3 or ISO 376. They are compressive force transducers and tensile force transducers that, because of their maximum overall height, are suitable for checking material testing machines according to ISO 7500-1.

The transducers can be used to not only check the force measuring device itself, but also its machine frame under loading. The transducers are therefore each equipped with four SG full bridges, attached around 90° at the circumference of the transducer spring body. In this way, it is possible to determine if the machine frame and the force introduction parts allow the correct, axial stress of a properly installed test specimen.

The transducers are supplied complete with force introduction parts (compression plates or ball cups and ball nuts) as well as a wooden box for storage.

typ. ord.no.	A	B	ØC	D	approx. E	F
1-STZ / 0.6 MN	M56x4	650	78,3	40	142	232
1-STZ / 1 MN	M64x4	750	96.3	60	160	240

Accessories, to be ordered separately:

Connection cable with male connector MS3106A16S-1P and free ends (3 m)

Order no. 1-KAB0103-3

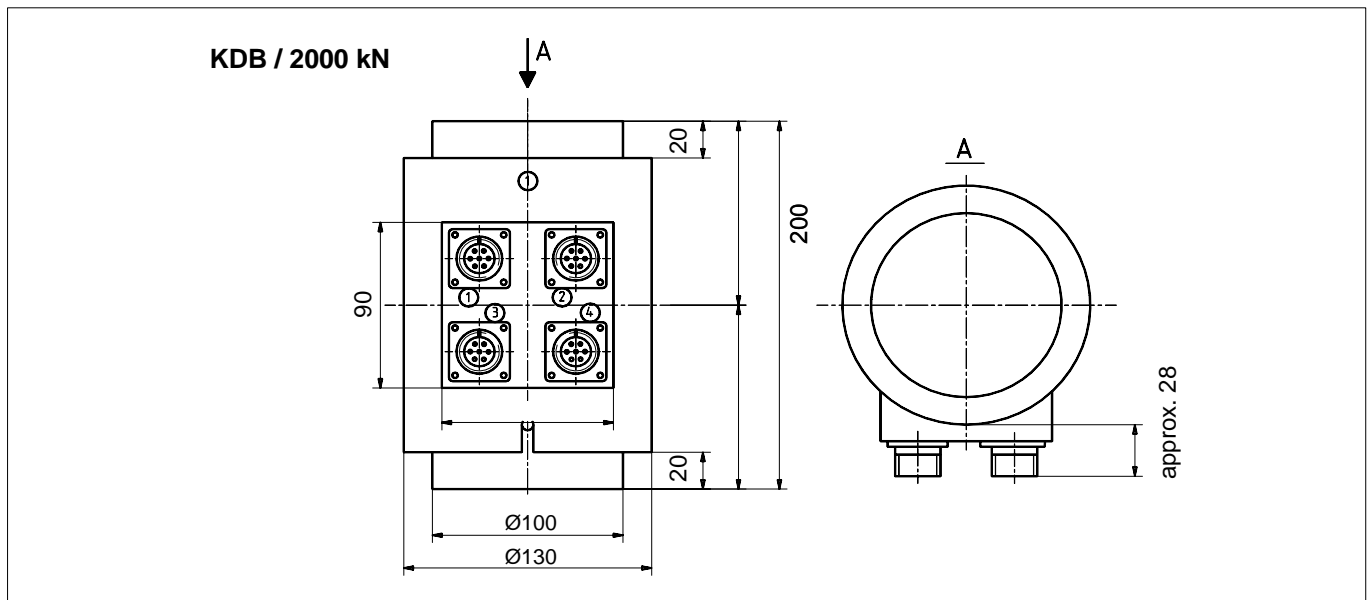
Specifications KDB

Type			KDB
Data according to VDI 2638 standards			
Nominal force	F_{no} m	kN	2000
Class under EN 10002-3 (0.2 F_{nom} to F_{nom}) ¹⁾			1
Nominal sensitivity	C_{nom}	mV/V	without sensitivity determination
Effect of temperature on sensitivity / 10 K by reference to nominal sensitivity	T_{KC}	%	0.1
Effect of temperature on the zero signal / 10 K by reference to nominal sensitivity	T_{K0}	%	0.1
Number of strain gauge full bridges			4
Input resistance	R_e	Ω	600
Isolation resistance	R_{is}	Ω	$> 5 \times 10^9$
Reference excitation voltage	U_{ref}	V	5
Operating range of the excitation voltage	$B_{U, G}$	V	0.5 ... 12
Nominal temperature range	$B_{t, nom}$	$^{\circ}C$	+10...+40
Storage temperature range	$B_{t, S}$	$^{\circ}C$	-25...+85
Reference temperature	t_{ref}	$^{\circ}C$	+22
Weight, approx.		kg	17
Electrical connection			4 MS3102A16S-1S device boxes

Force-proving instrument according to DIN 51302-2, optionally EN 12390-4 for checking compression testing machines for concrete.

The force-proving instrument is designed specifically for the additional checking of compression testing machines for concrete according to ISO 7500-1, Bbl 1.

The special application comprises four full bridges attached around 90° at the circumference of the transducers spring body, thus allowing this transducer to be used for the tests required by the standard.

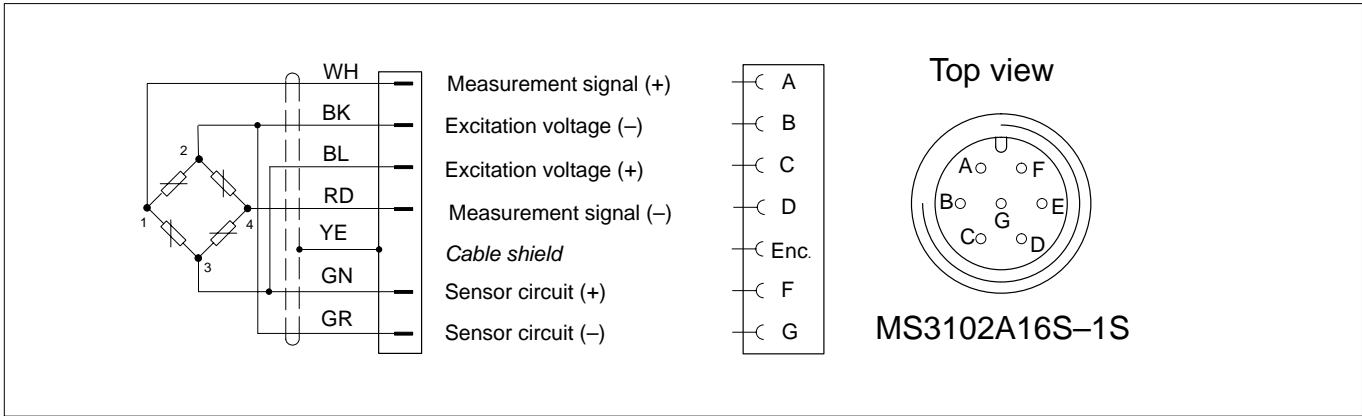


Accessories, to be ordered separately:

Connection cable with male connector MS3106A16S-1P and free ends (3 m),

order no. 1-KAB0103-3

Pin assignment KD/STZ/KDB



Modifications reserved.
All details describe our products in general form only. They are not to be understood as express warranty and do not constitute any liability whatsoever.

Hottinger Baldwin Messtechnik GmbH

Postfach 10 01 51, D-64201 Darmstadt
Im Tiefen See 45, D-64293 Darmstadt
Tel.: +49/61 51/ 8 03-0; Fax: +49/61 51/ 8039100
E-mail: support@hbm.com www.hbm.com



measurement with confidence