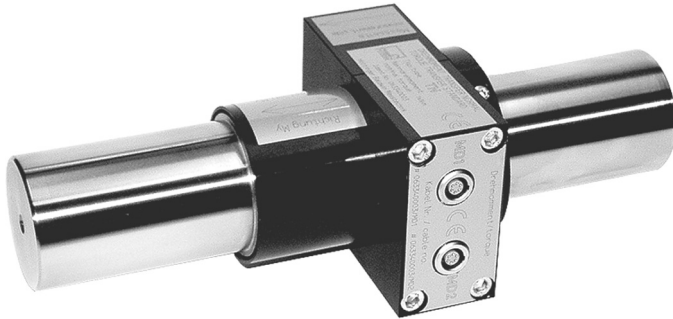


TN

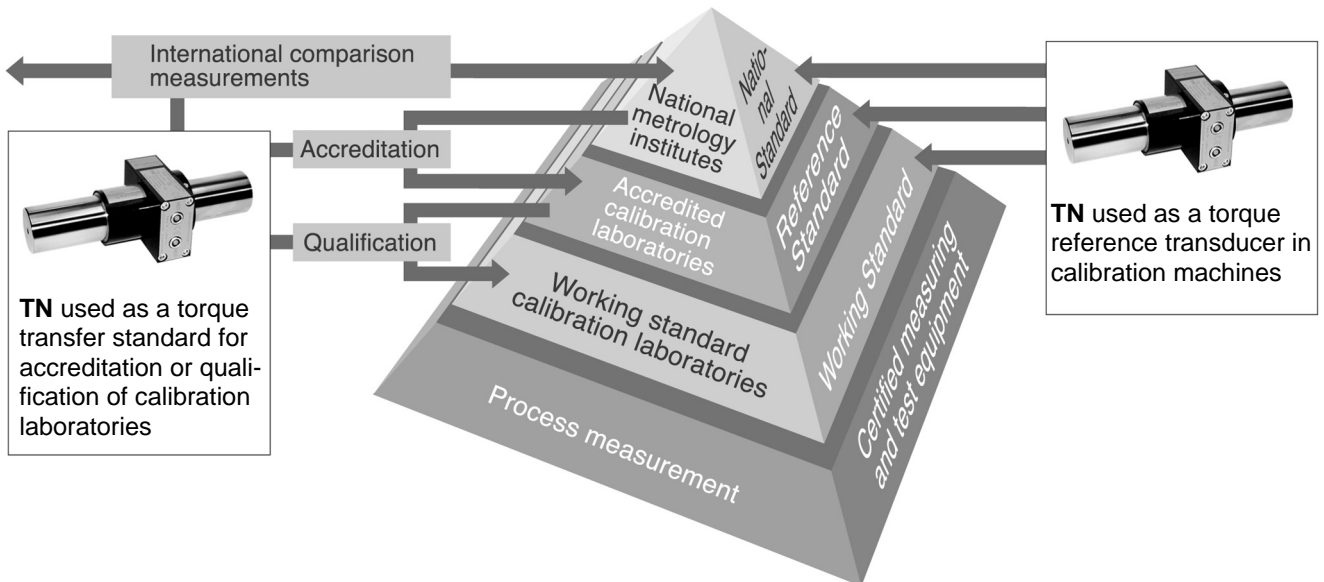
Torque transfer standard



Special features

- Nominal (rated) torques from 100 N·m to 20 kN·m
- Cylindrical shaft ends without keys, dimensions acc. to DIN 51309 and EA-10/14
- Class 0.05 acc. to DIN 51309 or EA-10/14 resp. (in conjunction with DKD calibration certificate)
- Options: TOP Transfer standard (enhanced accuracy); second torque measuring bridge; measuring point for bending moments; integrated temperature measurement

Fields of application



Specifications

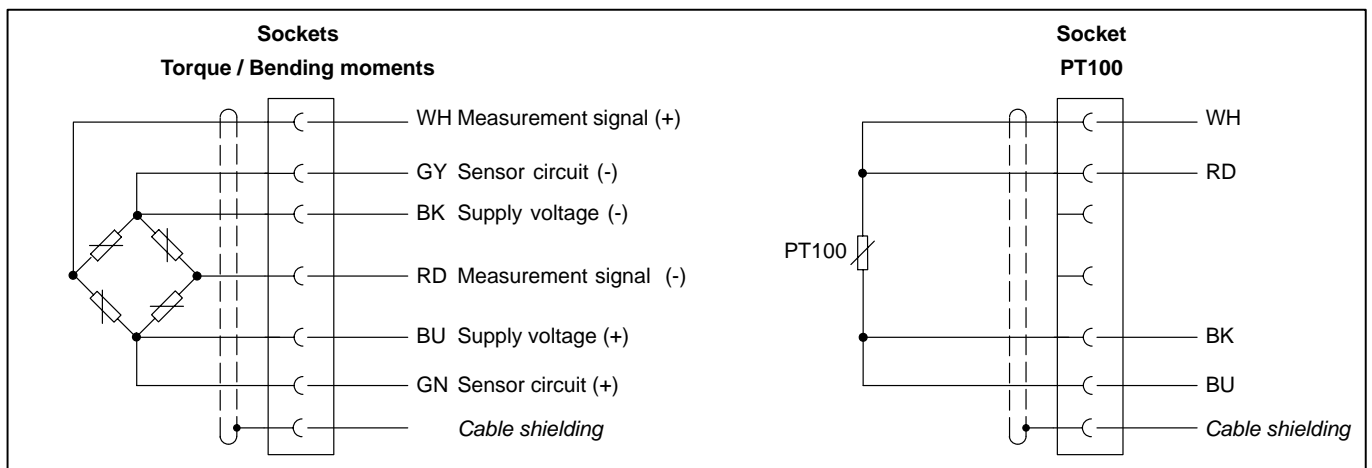
Type		TN							
Accuracy class		0.02							
Nominal (rated) torque M_{nom}	N·m	100	200	500					
	kN·m				1	2	5	10	20
	ft·lb	75	150	375	750	1,500	3,750	7,500	15,000
for reference only									
Nominal (rated) sensitivity (spread between torque=zero and nominal (rated) torque)	mV/V	1.5							
Sensitivity tolerance (deviation of the actual output at M_{nom} from the nominal (rated) sensitivity)	%	+0.5							
Zero signal tolerance	mV/V	± 0.25							
Temperature effect per 10K in the nominal (rated) temperature range	on the output signal, related to the actual value	%							
	on the zero signal, related to the nominal (rated) sensitivity	%							
Linearity deviation including hysteresis , relative to the nominal (rated) sensitivity	%	≤ ± 0.01							
Relative standard deviation of repeatability acc. to DIN 1319, related to the variation of the output signal	%	≤ ± 0.01							
Input resistance at reference temperature	Ω	approx. 400							
Output resistance at reference temperature	Ω	approx. 350							
Reference excitation voltage	V	5							
Operating range of the excitation voltage	V	2.5 ... 12							
General data									
EMC									
Emission acc. to EN 61326-1, Table 4 RFI field strength		Class B							
Immunity from interference (EN 61326-1, Table A.1)									
Electromagnetic field (AM)	V/m	10							
Magnetic field	A/m	100							
Electrostatic discharge (ESD)									
Contact	kV	4							
Air	kV	8							
Burst (rapid transients)	kV	2							
Surge (impulse voltages)	kV	1							
Line-related interference (AM)	V	10							
Degree of protection according to EN 60 529	-	IP20							
Reference temperature	°C [°F]	+22 [+71.6]							
Nominal (rated) temperature range	°C [°F]	+10...+30 [+50 ... +86]							
Operating temperature range	°C [°F]	+10...+40 [+50 ... +104]							
Storage temperature range	°C [°F]	+10...+40 [+50 ... +104]							
Electrical connection		LEMO connector							
Weight, approx.	kg	3.8	3.8	4.0	4.2	8.8	11.5	32.5	36.5
Impact resistance, test severity level to IEC 68, part 2-27; IEC 68-2-27-1987									
Number of impacts	n	1000							
Duration	ms	3							
Acceleration (half-sine)	m/s ²	650							
Vibration resistance, test severity level to IEC 68, part 2-6; IEC 68-2-6-1982									
Frequency range	Hz	5 - 65							
Duration	h	1.5							
Acceleration (amplitude)	m/s ²	50							
Load limits									
Limit torque , related to M_{nom}	%	130							
Breaking torque , related to M_{nom}	%	>300							
Vibration bandwidth acc. to DIN 50100 (peak-to-peak)	%	200							

Specifications

Mechanical data									
Nominal (rated) torque M_{nom} for reference only	N·m	100	200	500					
	kN·m				1	2	5	10	20
	ft·lb	75	150	375	750	1,500	3,750	7,500	15,000
Torsional stiffness	kN·m/ rad	8	11	27	66	100	320	720	1640
Torsion angle at M_{nom}	degree	0.7	1.0	1.1	0.9	1.1	0.9	0.8	0.7

Supplementary information according to DIN 51309 or EA-10/14			
Class according to DIN 51309 or EA-10/14		0.05	TOP Transfer standard (for torque measuring bridge 1)
Relative zero error (zero signal return)	%	≤ 0.0125	≤ 0.004
Relative reproducibility and repeatability error ($0.2 \cdot M_{nom}$ to M_{nom})	without rotation	≤ 0.025	≤ 0.005
	with rotation	≤ 0.05	≤ 0.01
Relative interpolation error	%	$\leq \pm 0.025$	$\leq \pm 0.025$
Relative reversibility error ($0.2 \cdot M_{nom}$ to M_{nom})	%	≤ 0.063	≤ 0.04

Cable assignment



Scope of supply:

TN Torque Transfer Standard

Connection cable, 3m, (Lemo connector on transducer side, pigtails on amplifier side)

Test report

Options:

Temperature measurement (PT100)

Second torque measuring bridge

Measuring bridges for bending moment (x and y direction)

Enhanced accuracy (TOP Transfer standard; only in conjunction with a DKD calibration)

Accessories:

Transport case (for TN with nominal (rated) torques from 100 N·m to 1 kN·m)

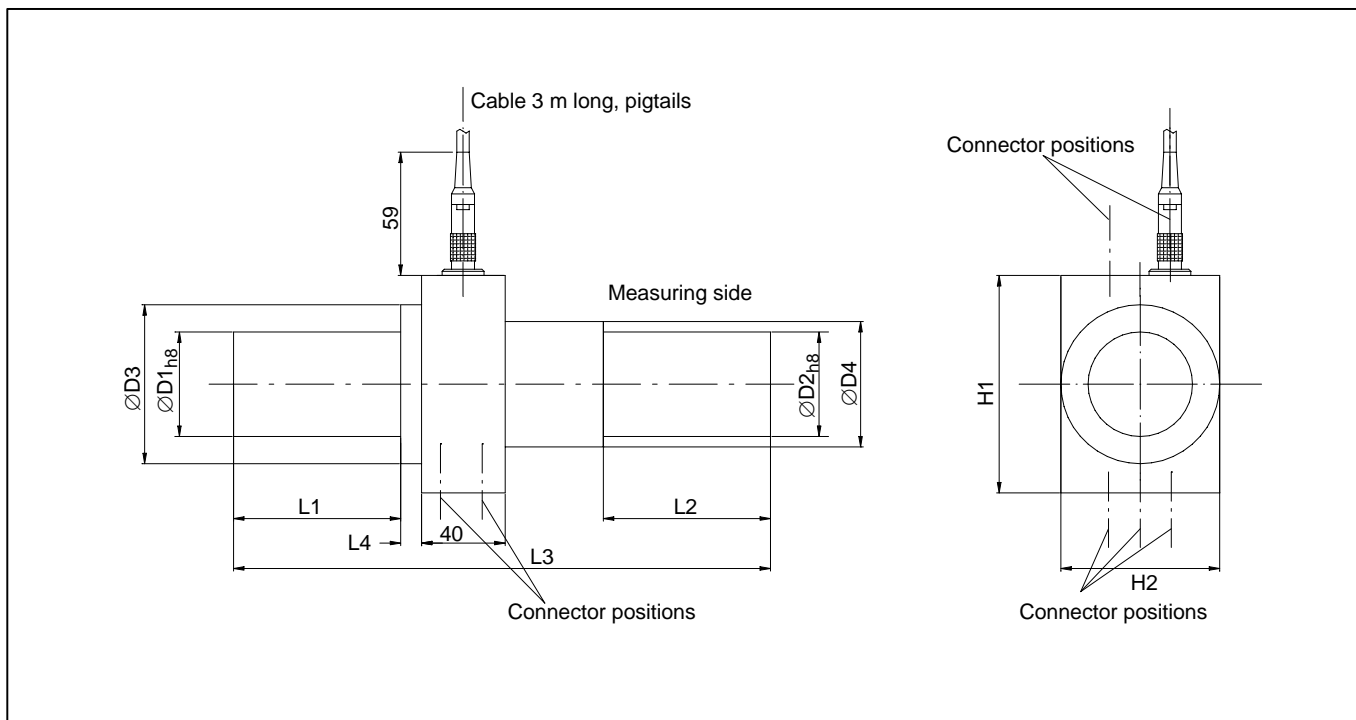
Transport box (for TN with nominal (rated) torques from 2 kN·m bis 20 kN·m)

MS 3106PEMV connector, fitted to cable

15-pin D connector, fitted to cable

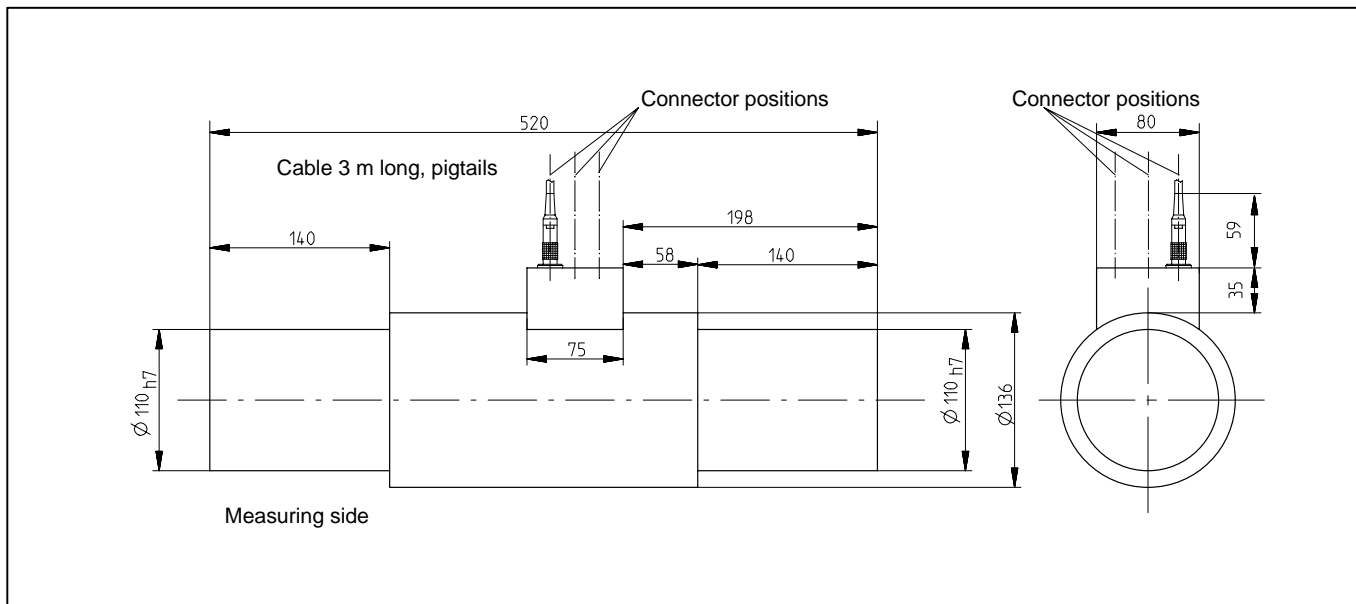
DKD calibration certificate according to DIN 51309 or EA-10/4

Dimensions in mm (1 mm = 0.03937 inches); nominal (rated) torques 100 N·m ... 5 kN·m



Nominal (rated) torque	D1	D2	D3	D4	L1	L2	L3	L4	H1	H2
100/ 200/ 500 N·m	50	50	76	60	80	80	257	10	104	76
1 kN·m	50	50	76	60	80	80	257	10	104	76
2 kN·m	70	70	96	80	115	115	350	15	124	96
5 kN·m	70	70	96	80	115	115	396	15	124	96

Dimensions in mm; nominal (rated) torques 10 kN·m and 20 kN·m



Modifications reserved.
 All details describe our products in general form only. They are not to be understood as express warranty and do not constitute any liability whatsoever.

Hottinger Baldwin Messtechnik GmbH

Im Tiefen See 45, D-64293 Darmstadt, Germany
 Tel.: +49 6151 8030; Fax: +49 6151 8039100
 E-mail: support@hbm.com www.hbm.com



measurement with confidence