

WE 2110

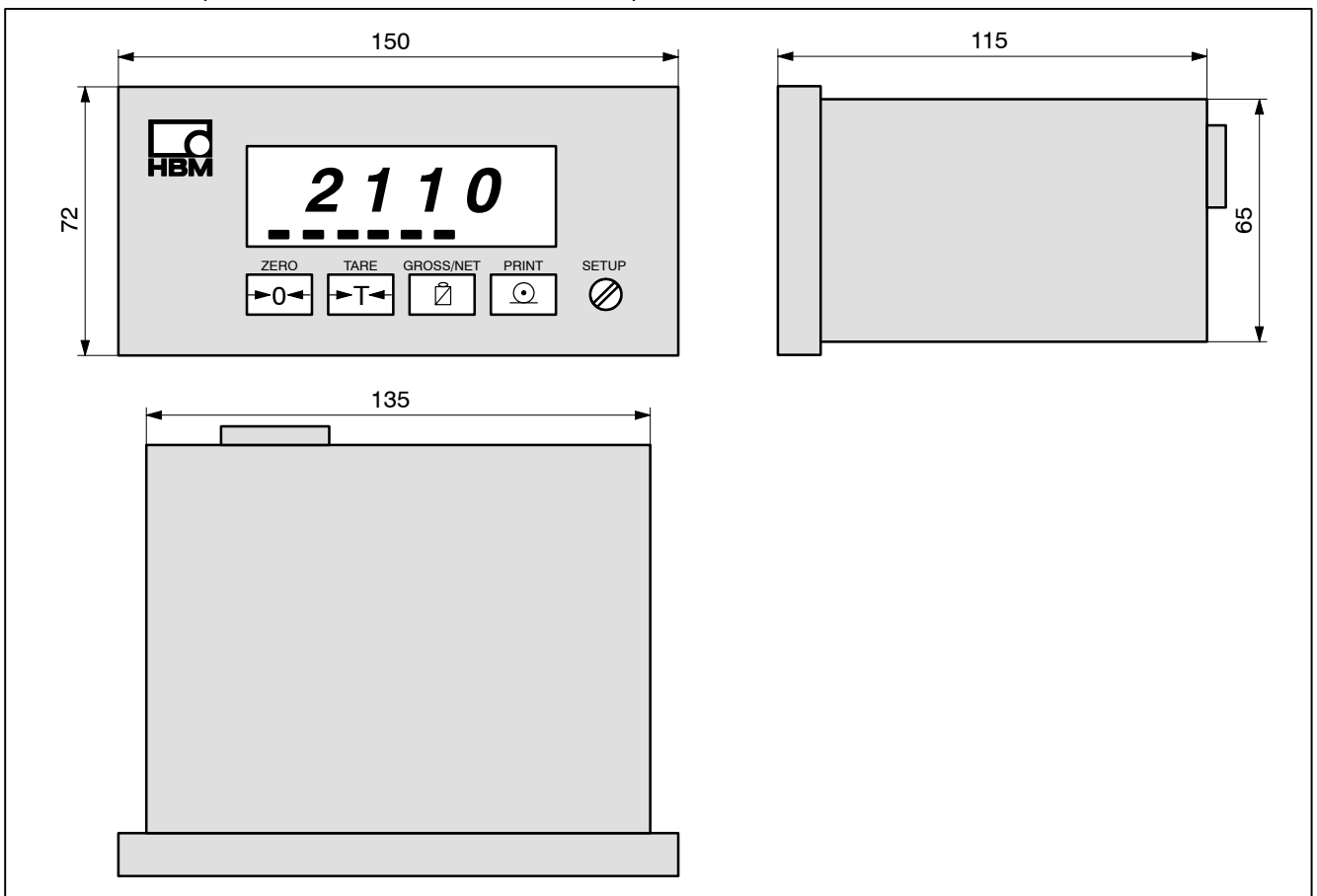
Digital Weighing Indicator



Special features

- OIML class up to 6000d
- Multi range / Multi interval
2x 3000d
- For 8 load cells each 350Ω
- Gross, Net, Tare, Printing
- 1xRS-232/RS-485 (4-wire)
- 1xRS-232 printer / 2nd display
- Panel housing 144x72
(Aluminum)
- Mains connection 110...240V_{AC}
or: 12...24V_{DC}
- **Optional:**
 - PCB 4x Input, 4x Output
 - PCB -10...+10V or 4...20mA,
and 1x Input, 2x Output
 - Mounting kit for panel mounting
 - Table stand
 - Frame Housing IP65
 - Reference handbook,
incl. WE-DEMO software

Dimensions (in mm; 1mm = 0.03937 inches)

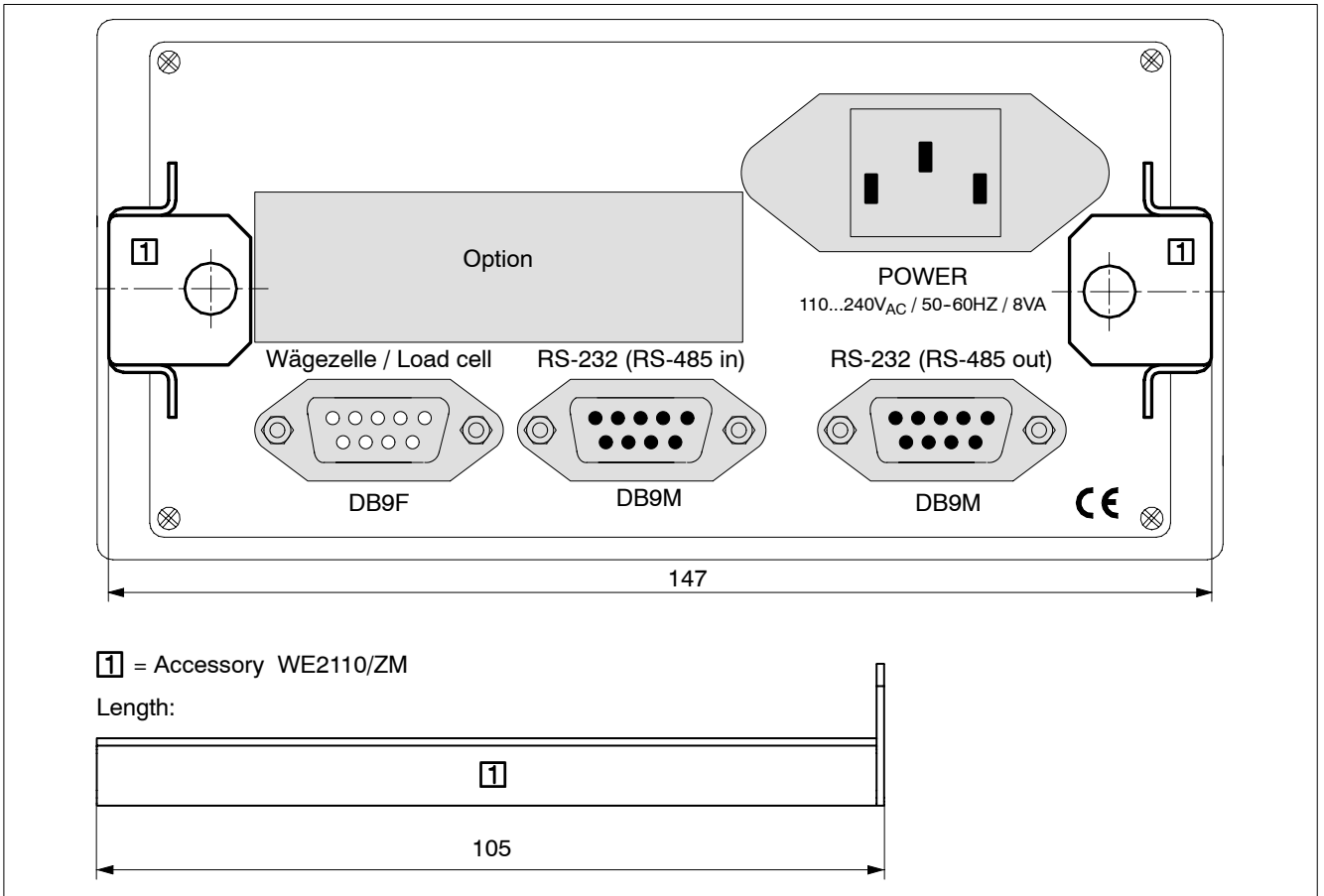


Technical Data

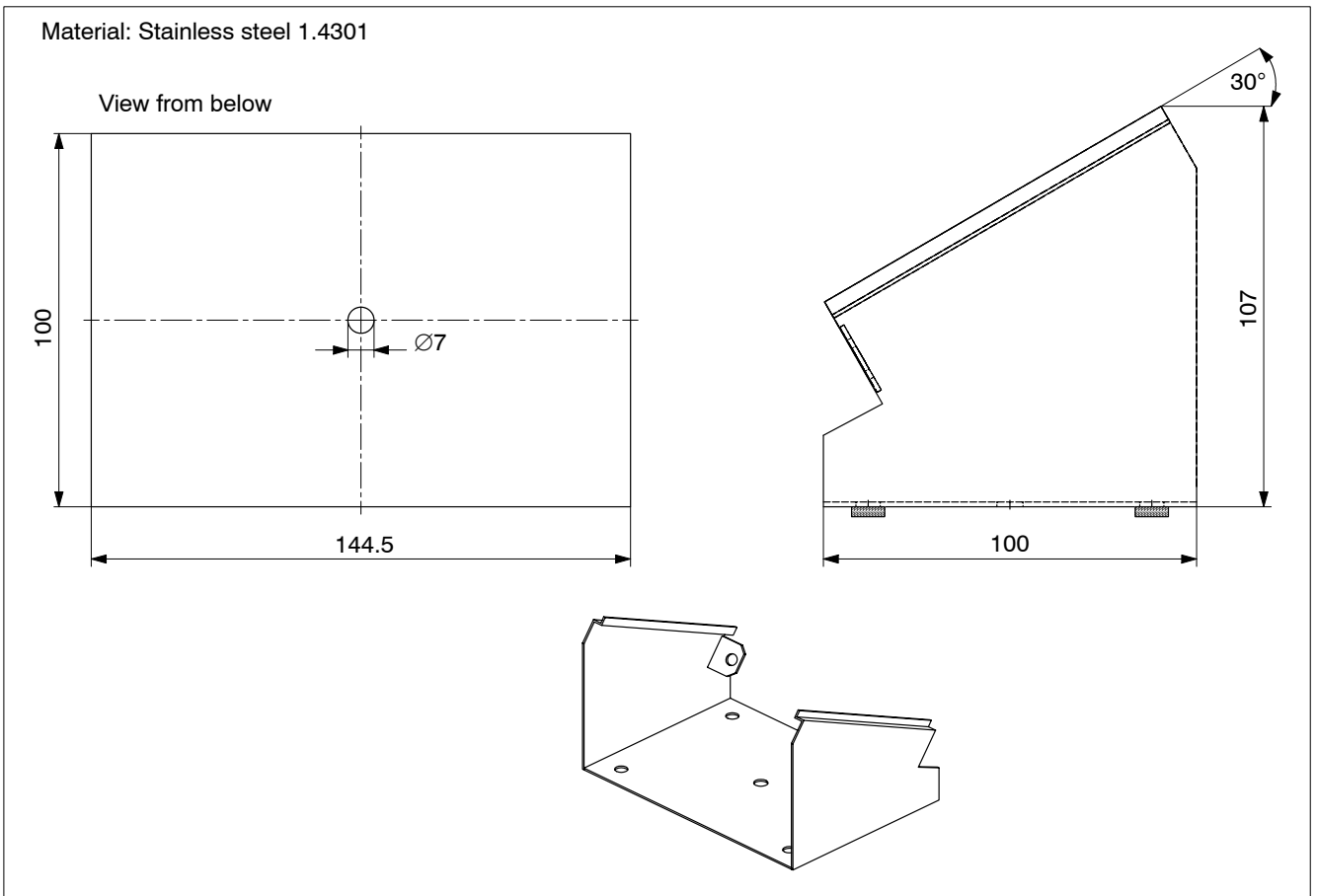
Type		WE 2110
Accuracy class		0.015
Divisions according to OIML R76 (class III, IIII)*	d	6000; Multi range / Multi interval 2x 3000
Input sensitivity	$\mu\text{V/e}$	≥ 1
Measuring range	mV/V	0.2...3
Zero signal balancing range	mV/V	± 2
Units of weight		g, kg, t, lb
Max. number of load cells		8x 350 Ω
Load cell excitation voltage	V _{DC}	8
Load cell connection		6- / 4-wire
Cable length of the load cells	m/mm ²	580
Linearization		5 points
Measuring rate (without filter)	Hz	60
Filter, digital low pass		1/1...1/200; moving average
Zero track, adjustable	d/s	off...32
Sensitivity display, adjustable	d/s	off...32
Interface 1		Full Duplex RS-232, RS-485 (4-wire)
Interface 2 (In RS-485 mode not available)		Only transmit RS-232 for printer/second display
Cable length RS-232	m	≤ 25
RS-485	m	≤ 1000
Baud rate, adjustable	baud	300...19 200
Mains connection	V _{AC}	110...240 (50...60Hz)
Connection DC-Version	V _{DC}	12...24
Max. power consumption	VA	8
Nominal temperature range	°C [°F]	-10...+40 [+14...+104]
Service temperature range	°C [°F]	-10...+60 [+14...+140]
Storage temperature range	°C [°F]	-40...+70 [-40...+158]
Display		6-Digit-LED, green
High of display	mm	14
Status symbols		Zero, Gross, Net, Motion, Unit, Limit values
Keys		Foil key board (tactile and audible feedback)
Dimension without plug	mm	150x72x115
Front frame	mm	144x72
Panel cutout according to DIN 43 700	mm	138x68
Weight, approx.	kg	1
Protection class according to IEC 529		IP40
Protection class of the front according to IEC 529		IP65
Housing material		Aluminum, painted
Optional digital In- / Outputs (Plug-in PCB 1-WE2110/ZS)		4x Input, 4x Output (optical insolated)
Level		Gross or Net
Voltage range (extern)	V _{DC}	12...28
Max. Voltage	V _{DC}	50
Max. Current	mA	300
Optional Combi PCB (Plug-in PCB 1-WE2110/ZCC)		4...20mA or -10...+10V (optical insolated) and 1x Input, 2x Output
Load resistance -10...+10V	Ω	>2000
Load resistance 4...20mA	Ω	<500
Resolution	bit	16

Rear view of the Instrument

(Fig. with accessory Mounting kit for panel mounting WE2110/ZM)

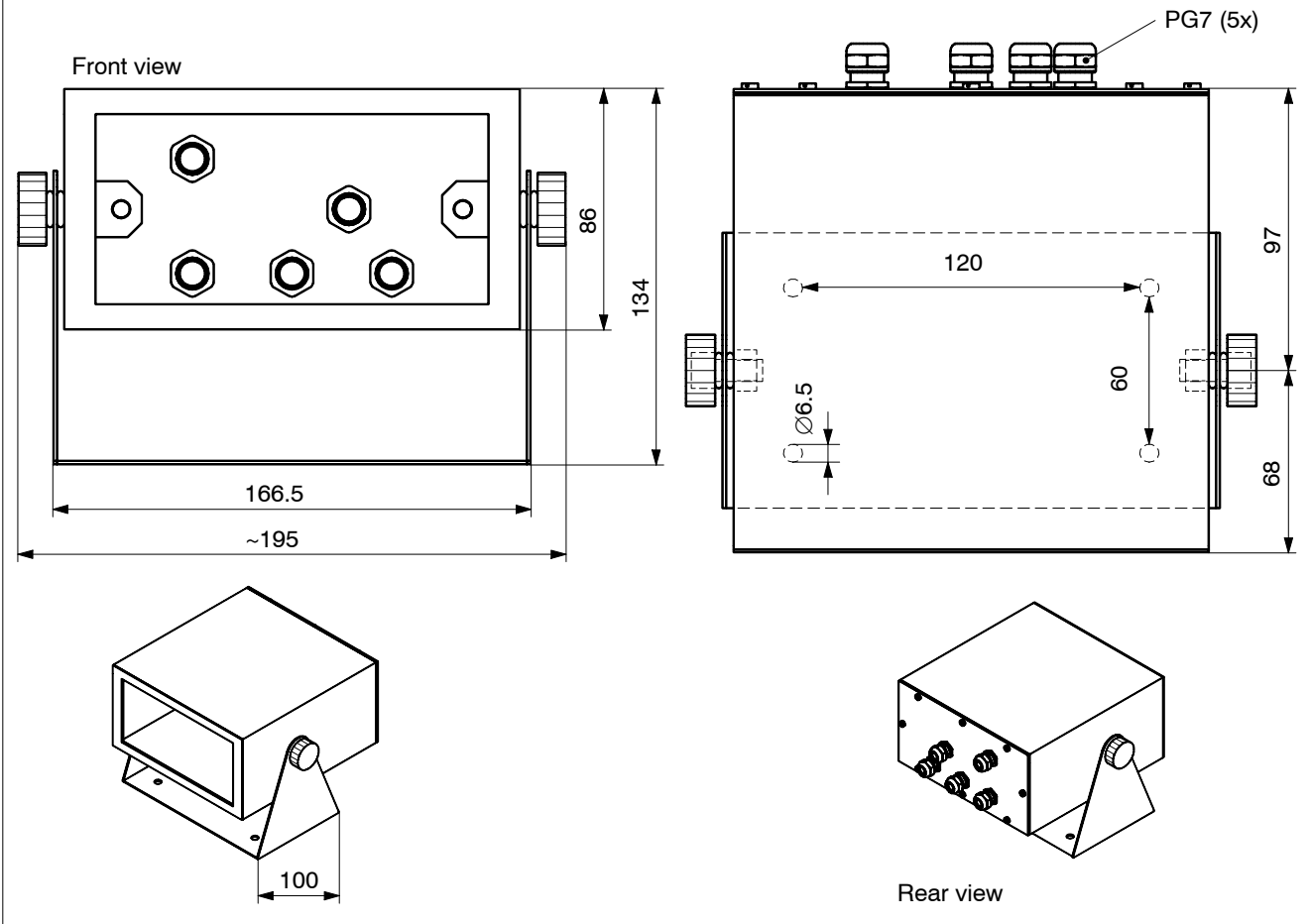


Accessory Table stand WE2110/ZT



Accessory Frame housing IP65 WE2110/ZH

Material: Stainless steel 1.4301



Ordering designations

- | | |
|---------------------|---|
| 1-WE2110 | Weighing electronic 110...240 V _{AC} |
| 1-WE2110DC | Weighing electronic 12...24 V _{DC} |
| 1-WE2110/ZS | Plug-in PCB digital 4x Input, 4x Output |
| 1-WE2110/ZCC | Combi Plug-in PCB 4...20mA or -10...+10V and 1x Input, 2x Output |
| 1-WE2110/ZM | Mounting kit for panel mounting |
| 1-WE2110/ZT | Table stand for WE2110 |
| 1-WE2110/ZH | Frame housing IP65 for WE2110 |
| 1-WE2110/DOC | Reference handbook, incl. WE-DEMO software |



Hottinger Baldwin Messtechnik GmbH
 Im Tiefen See 45, D-64293 Darmstadt, Germany
 Tel.: +49 (0)6151 / 803 0; Fax: +49 (0)6151 / 803 9 100
www.hbm.com; e-mail: support@hbm.com

Modifications reserved.
 All details describe our products in general form. They are not to be understood as express warranty and do not constitute any liability whatsoever.