

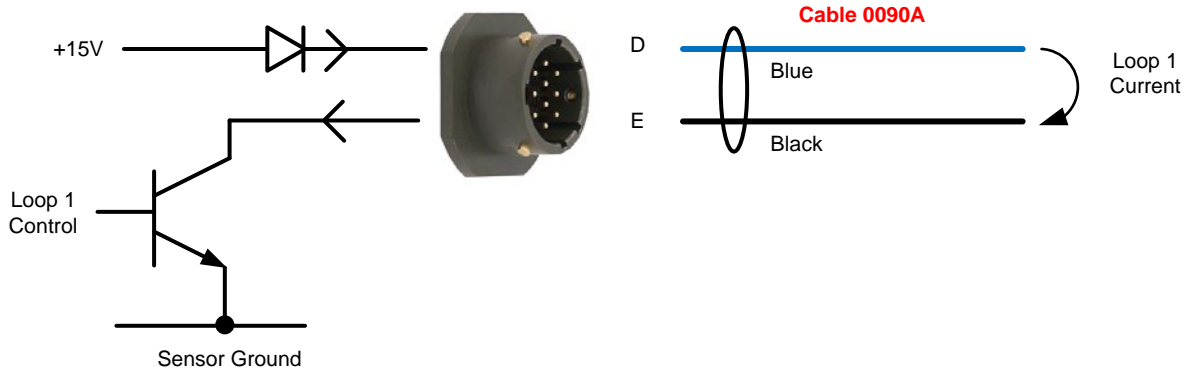
**Engineering Note: EN0072 Current Loop Operation - All Sensors**

Summary: Current Loop Operation - All Sensors

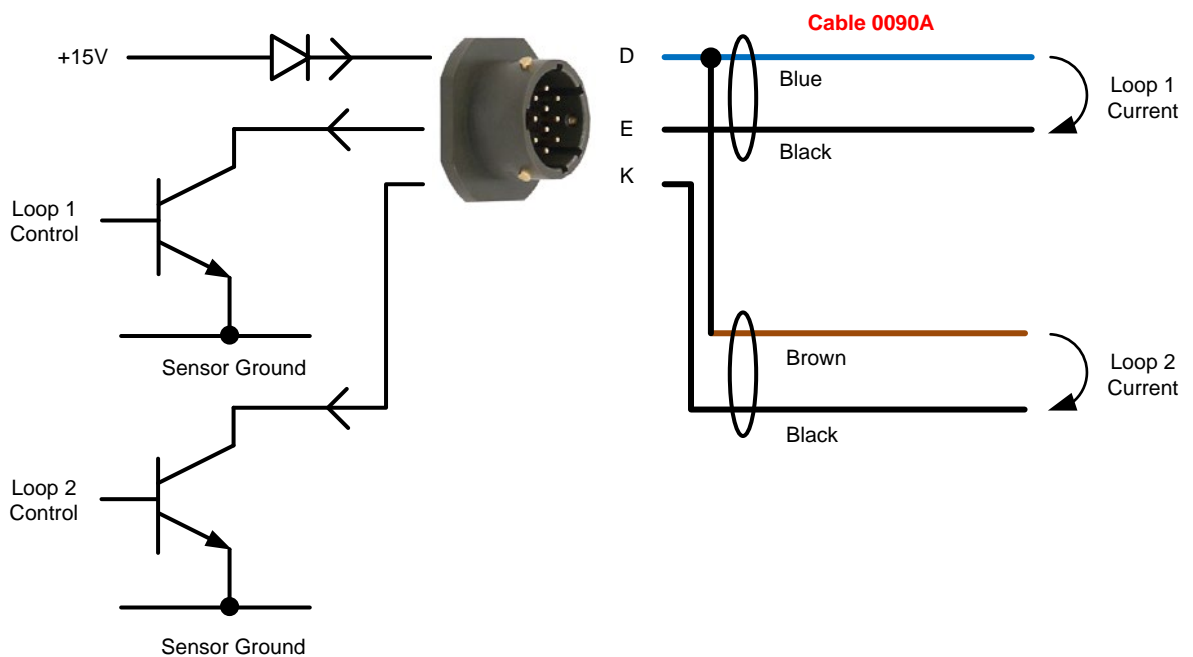
Products affected: All Sensors

Revision Date: 31 October 2012 Author: Paul Rogers

**Hydro-Mix V, Hydro-Mix VI, Hydro-Probe II**



**Hydro-Probe Orbiter 1, Hydro-Probe SE**



**Hydro-Mix VII, Hydro-Probe XT, Hydro-Probe Orbiter 2**

