



TSic™ 506F/503F/501F

Temperature Sensor IC

For a fully calibrated and very accurate low power temperature measurement

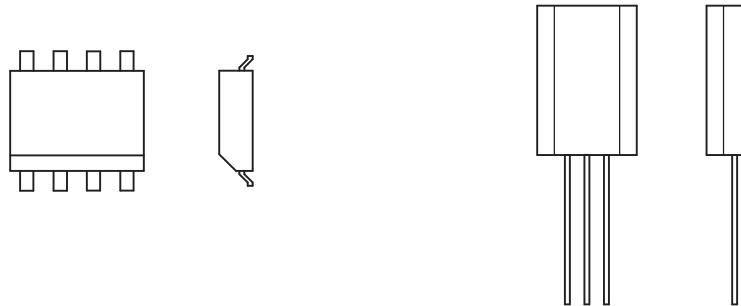


INNOVATIVE SENSOR TECHNOLOGY

Benefits & Characteristics

- Fully calibrated
- Outstanding accuracy of ± 0.1 K
- Very low power consumption
- Excellent long-term stability
- Custom calibration and assembly available
- Available with digital, analog and ratiometric output signal
- Accuracy range of 40 K can be shifted (default: +5 °C to +45 °C)

Illustration¹⁾



1) For actual size, see dimensions

Technical Data

Operating temperature range:*	-10 °C to +60 °C (± 3 °C of measurement limits)
Accuracy:*	± 0.1 K in the range of +5 °C to +45 °C (other ranges upon request)
Resolution:*	0.034 K
Sampling rate:*	10 Hz
Supply voltage:	$V^+ = 3$ V to 5.5 V, high precision operation in range $V^+ = 4.5$ V to 5.5 V
Supply current:	typ. 30 μ A at 25 °C and $V^+ = 3.3$ V for minimal self-heating
Packaging:*	SOP-8 or TO92

* Customer specific alternatives available



TSic™ 506F/503F/501F

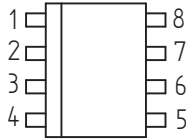
Temperature Sensor IC

For a fully calibrated and very accurate low power temperature measurement



INNOVATIVE SENSOR TECHNOLOGY

Pin Assignment



	Pin 1	Pin 2	Pin 3	Pin 4
SOP-8	V ⁺ , Supply voltage (3 V to 5.5V)	Signal	Not used	GND
TO92	GND	Signal	V ⁺ , Supply voltage (3 V to 5.5 V)	

Absolute maximal ratings

	Min	Max
Supply voltage (V ⁺)	-0.3 V	6 V
Voltages to analog I/O – Pins (V _{INA} , V _{OUTA})	-0.3 V	V _{DDA} +0.3 V
Storage temperature range (T _{STOR})	-20 °C	80 °C

Operating conditions

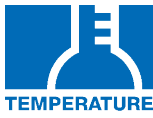
	Min	Typ	Max
Supply voltage to GND (V ⁺)	2.97 V	5 V	5.5 V
Supply current (I _{V+}) @ V ⁺ = 3.3 V, RT	25 μA	30 μA	60 μA
Operating temperature range (T _{amb})	-10 °C		+60 °C
Output load capacitance (C _L)			15 nF
External capacitance between V ⁺ and GND ¹⁾ (C _{V+})	100 nF (recommended)		
Output load resistance between signal and GND (or V ⁺)	47 kΩ		

¹⁾ Recommended as close to TSic V⁺ and GND-Pins as possible

Temperature accuracies²⁾

T1: +5 °C to +45 °C	±0.1 K
T2: -10 °C to +60 °C	±0.2 K

²⁾ The sensor is calibrated at 5 V. The provided accuracy is applicable for a supply voltage between 4.5 V and 5.5 V. The accuracy is smaller with a supply voltage between 2.97 V and 4.5 V. For applications where the best accuracy at 3 V is requested, ask for a custom specific, 3 V calibrated device. Other TSic™ products with custom specific calibrations are available upon request e.g. other temperature range for high accuracy. Accuracy at delivery; the assembly method can influence the accuracy!



TSic™ 506F/503F/501F

Temperature Sensor IC

For a fully calibrated and very accurate low power temperature measurement



INNOVATIVE SENSOR TECHNOLOGY

Order Information - SOP-8

Output signal	Analog	Analog ratiometric	Digital, ZACWire protocol
501/503/506	TSic 501F SOP-8	TSic 503F SOP-8	TSic 506F SOP-8
Order code	030.00034	030.00054	030.00007

Order Information - TO92

501/503/506	TSic 501F TO92	TSic 503 TO92 5V	TSic 506F TO92
Order code	030.00046	030.00115	030.00045

Additional Electronics

	Document name:
LabKit	DTTSicLabKit_E

Additional Documents

	Document name:
Application note:	ATTSic_E



Order Information

Temperature Sensor IC

Secondary reference



INNOVATIVE SENSOR TECHNOLOGY

TSic

Accuracy

- 2 = ±0.5 °C at +80 °C range
- 3 = ±0.3 °C at +80 °C range
- 4 = not defined
- 5 = ±0.1 °C at +40 °C range (limited measuring range from -10 °C to +60 °C)
- 6 = not defined
- 7 = ±0.07 °C at +20 °C range (limited measuring range from -10 °C to +60 °C)

Bit size

- 0 = 11 bit
- 1 = 14 bit

Output signal

- 1 = analog 0 V to 1 V
- 3 = ratiometric 10 % to 90 % V⁺
- 6 = digital ZACWire protocol

Housing

- SOP-8
- TO92
- KGD („known-good-die“ in waffle pack, 100 pcs/pkg)

Special

E.g. „250 Hz“ for a high sampling rate or „-30/70“ for temperature and tolerance range

TSIC 3 0 6 TO92 -30/70



INNOVATIVE SENSOR TECHNOLOGY

Innovative Sensor Technology IST AG, Stegrütistrasse 14, CH-9642 Ebnat-Kappel, Switzerland,
Phone: +41 (0) 71 992 01 00 | Fax: +41 (0) 71 992 01 99 | E-mail: info@ist-ag.com | Web: www.ist-ag.com



All mechanical dimensions are valid at 25 °C ambient temperature, if not differently indicated • All data except the mechanical dimensions only have information purposes and are not to be understood as assured characteristics • Technical changes without previous announcement as well as mistakes reserved • The information on this data sheet was examined carefully and will be accepted as correct; No liability in case of mistakes • Load with extreme values during a longer period can affect the reliability • The material contained herein may not be reproduced, adapted, merged, translated, stored, or used without the prior written consent of the copyright owner • Typing errors and mistakes reserved • Product specifications are subject to change without notice • All rights reserved