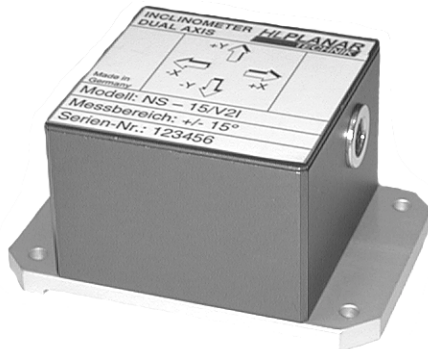


## NS-15/V2I Dual Axis Inclinometer

With current output



The NS-15/V2I dual-axis inclinometer is a member of a family of high performance, competitively priced, single and dual-axis inclinometers. The heart of every HL Planartechnik inclinometer is a small, state-of-the-art, inclination sensor. The sensor, which is comprised of a molded, ceramic case bonded, via a glass sealing process, to a ceramic substrate. Thin film, platinum electrodes are deposited on the substrate. Then the chamber is partially filled with electrolytic fluid and hermetically sealed. The molded, ceramic, sensor housing combined with a precise, planar electrode geometry yields excellent performance and consistent part-to-part uniformity.

### Applications

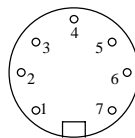
- Zero point detection
- Aligning and level control
- Angle measurement

### Advantages

- Wide range of application
- Low vibration sensitivity
- Low price

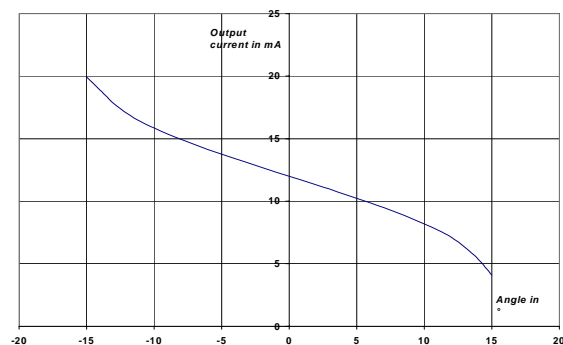
All VI-type inclinometers have an internal pre-processor and produce a 4-20 mA current output. They have a compact sturdy design and a whole range of uses are possible thanks to the possibility of many different external-switching combinations. With their machined, aluminum baseplate and IP 65 housing, they are an ideal choice for a variety of industrial, automotive and aerospace applications.

### Pinout

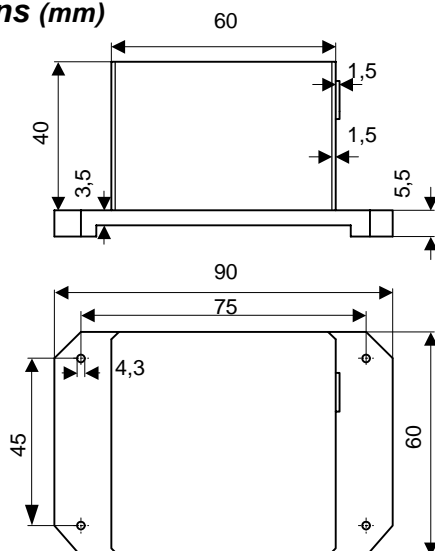


1	+Ub	Supply Voltage
2	GND	Ground
3	Erde	Earth
4	GNDx	Ground for analogue output Ix
5	GNDy	Ground for analogue output Iy
6	Ix	Current output Ix
7	Iy	Current output Iy

### Diagram (angle vs. output signal)



### Dimensions (mm)



### Specifications

Range:	$\pm 15^\circ$
Precision:	0,03° for -3°... +3° 0,08° for -10° ... +10°
Resolution:	0,001°
Temperature stability:	
Zero point:	0,1° for 0°C ... 50°C
Sensitivity:	0,3° for 0°C ... 50°C
Analog Output :	$\approx 20\text{mA}$ (-15°) to $\approx 4\text{mA}$ (+15°)
Working temp. Range:	0°C ... +70°C
Storage temp. Range:	-40°C ... +85°C
Supply voltage:	12VDC ... 24VDC
Current consumption:	ca. 30 mA
Protection class:	IP 65
Connection:	Connector or Pigtail

HL-Planartechnik GmbH

Hauert 13, D - 44 227 Dortmund, Tel.: +49 (0) 231/97400, Fax.: +49 (0) 231/974020

Internet: <http://www.hlplanar.com> E-Mail: [service@hlplanar.de](mailto:service@hlplanar.de)