



## 特征

- 更小的尺寸
- 优越的 HMDS 抵抗性
- 优越的 H<sub>2</sub>S 抵抗性
- 优秀的冲击抵抗性及稳定性
- 敏锐的反应性

## Specifications

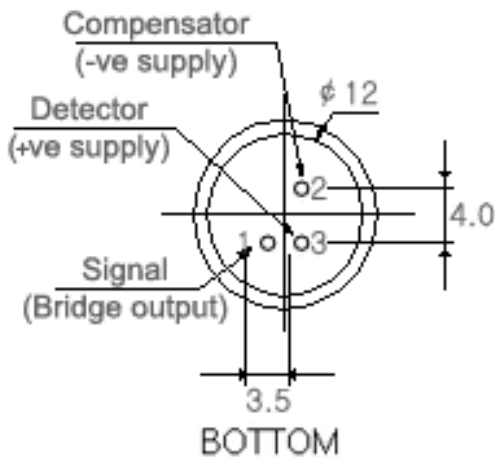
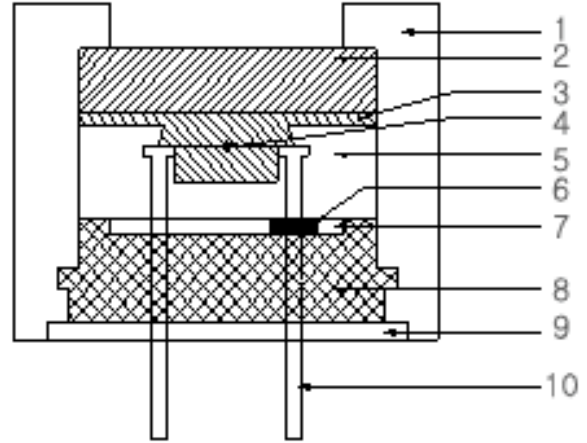
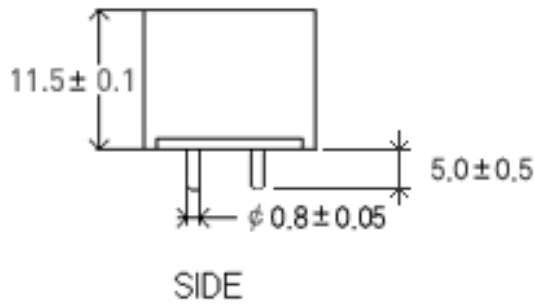
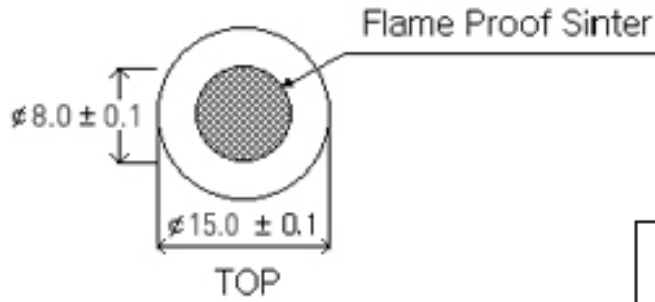
检测气体	大部分的可燃性气体
检测范围	0 ~ 100% LEL
工作电压	3.0 V
电流	> 76 ± 6 mA
输出灵敏度(Output Sensitivity)	24 ± 5 mV / % methane
初始时(Zero Offset Voltage)	-20 ~ 20 mV (23 ± 2°C, 60% RH)
线性度(Linear to)	3% methane
T <sub>90</sub> 响应时间	< 10 秒 (methane)
灵敏度变化 (Long Term Sensitivity Drift)	< 5% signal / 月
零点漂移 (Long Term Zero Drift)	< 5% LEL (methane) / 月
保修期	从销售日1年

\* 流量: 300ml/min. 环境条件: 温度23±2°C, 相对湿度60%, 1标准大气压

## Relative Sensitivity

Gas	Relative Sensitivity
Methane	100
Propane	70
Iso-butane	65
Pentane	60

\* The results are intended for guidance only at the same %LEL concentration



No	Description
1	SUS Housing (SUS316 or 316L)
2	Flame Proof Sinter (SUS 316L)
3	Shock Absorber (Glass Micro Filter)
4	Sensor Bead (Catalyst)
5	Inner Sensor Body (Nylon 66)
6	Trim Resistor (optional)
7	Inner PCB (Epoxy FR-4, 0.8mmt)
8	Potting Material (Epoxy)
9	Outer PCB (Epoxy FR-4)
10	Lead Pin (Ni Pin)



Approval Body : Underwriters Laboratories Inc.  
Test Standard : UL 913  
Product Categories : Class 1, Division 1, Groups A, B, C, D  
Certificate Number : E248963


---



Approval Body : Canadian Standards Association  
Test Standard : CAN/CSA-C22.2 No. 0-M91  
CSA Std C22.2 No. 30-M1986  
File Number : 237868

---



Approval Body : Bureau Veritas  
Test Standard : EN60079-0:2009 EN60079-1:2007  
Product Categories :  II 2G Ex d IIC Gb T6  
-40°C ≤ Ta ≤ 55°C  
Certificate Number : EPS 12 ATEX 1 410 U

---



Test Standard : IEC 60079-0:2007-10, Edition 5  
IEC 60079-1:2007-04 Edition 6  
Product Categories : Ex d IIC T6 Gb  
Certificate Number : IECEx EPS 12.0003U