

One Channel Thermopile Detector TS1x200B-B-D2.4

High sensitive miniaturized thermopile detector based on thin film technology for NDIR gas analysis.

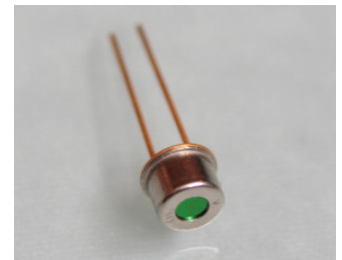
| | | |
|---|---|------------------------|
| Active Area | 1.2 x 1.2 | mm ² |
| Aperture | Ø 2.4 | mm |
| Number of Thermocouples | 200 | |
| Time Constant $t_{(0-63\%)}^1$ | typ. 30 | ms |
| DC Output Voltage ¹ | typ. 5.5 | mV |
| DC Sensitivity ¹ | typ. 100 | V/W |
| Temperature Coefficient of Sensitivity ² | typ. -0.4 | %/K |
| Noise Voltage ³ | typ. 33 | nV/Hz ^{1/2} |
| Noise Equivalent Power NEP ¹ | typ. 0.33 | nW/Hz ^{1/2} |
| Specific Detectivity D* ¹ | typ. 3.6 x 10 ⁸ | cmHz ^{1/2} /W |
| Resistance of Thermopile ³ | 65 ± 15 | kΩ |
| Temperature Coefficient of Resistance ² | typ. -0.03 | %/K |
| Thermistor | 0 – no thermistor Customer specific solution on request | |
| Filling Gas ⁴ | N ₂ / Kr | |
| Filters | Micro-Hybrid standard narrow band pass filters and more information please see document "infrared filters". Customized filters possible on request. | |
| Operation Temperature | -20 ... +70 | °C |
| Mass | 0.3 | g |
| Housing | T046 (modified) | |

¹ on air without windows, Blackbody T=500 K; E=38 W/m²

² temperature range from +25 to +70 °C

³ at T_{amb}=25 °C

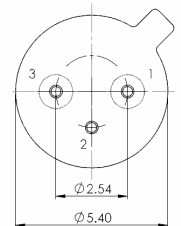
⁴ In case of Kr-filling increase of DC Output Voltage, DC Sensitivity, Specific Detectivity and Time Constant by the factor 1.8. Decrease of NEP by the same factor. Other gases on customer's request.



Bottom View

Pin Assignment:

Pin 1 Output TP-
Pin 3 Output TP+



Ordering Information:

TS1x200B-B-D2.4 - Thermistor (F) - Backfill
Gas (GG) - Filter (H)
e.g. TS1x200B-B-D2.4-0-N2-E2

Micro-Hybrid Electronic GmbH

*Heinrich-Hertz-Straße 8
D-07629 Hermsdorf*

*Tel +49 366 01 592 100
Fax +49 366 01 592 110*

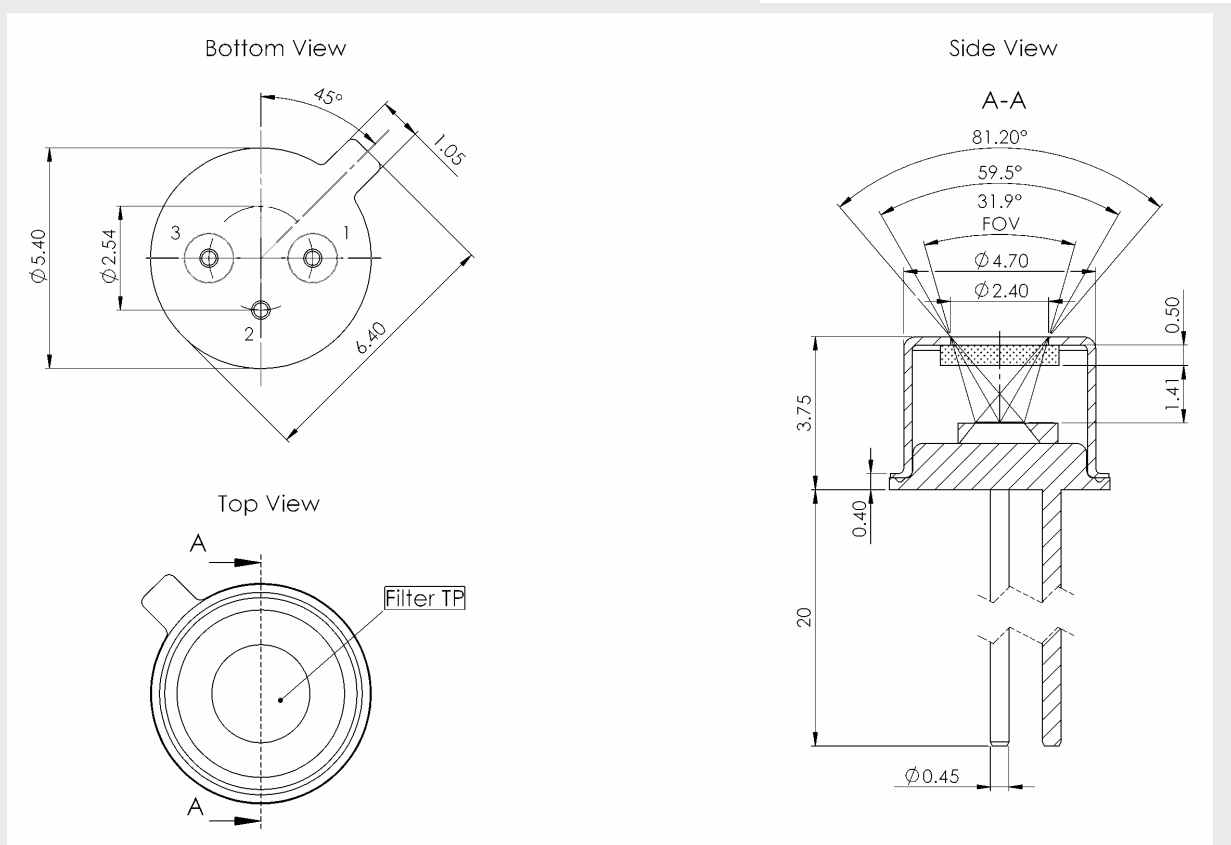
*Email: infrared@micro-hybrid.de
Web: www.micro-hybrid.de*

March 14th 2011 - subject to change without notice

LIVING MICROWORLDS.

One Channel Thermopile Detector TS1x200B-B-D2.4

Housing
TO46 package



Optional parts:

IR-Source JSIR 350 - Fast IR emitter based on thin film technology
Art.-Nr. 6351.01-3.01

IR-Source JSIR 450 - Broadband IR emitter high performance for heavily absorbing media
Art.-Nr. 6350.01-3.01

Preamplifier TE2AMP1 - Low noise preamplifier for Dual and Single Thermopile Detectors
Art.-Nr. 9627.01-4.51

Micro-Hybrid Electronic GmbH

*Heinrich-Hertz-Straße 8
D-07629 Hermsdorf*

*Tel +49 366 01 592 100
Fax +49 366 01 592 110*

*Email: infrared@micro-hybrid.de
Web: www.micro-hybrid.de*

March 14th 2011 - subject to change without notice

LIVING MICROWORLDS.