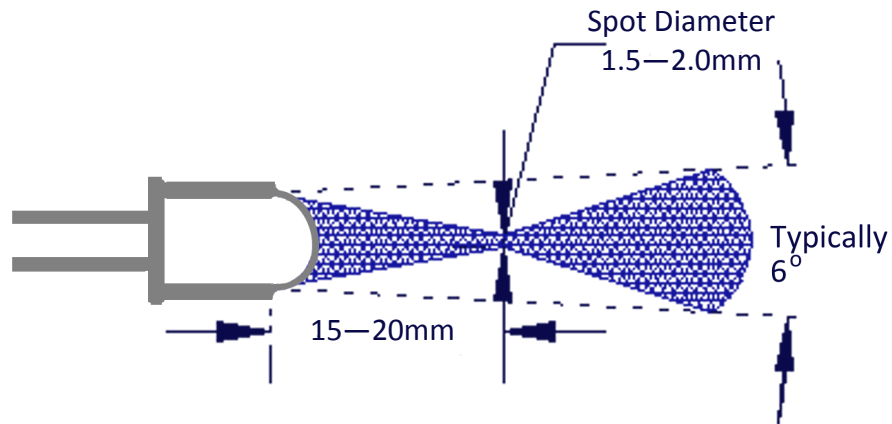


## Ball Lens (BL)

### Typical Emission Pattern



### Typical Angular Diagram

