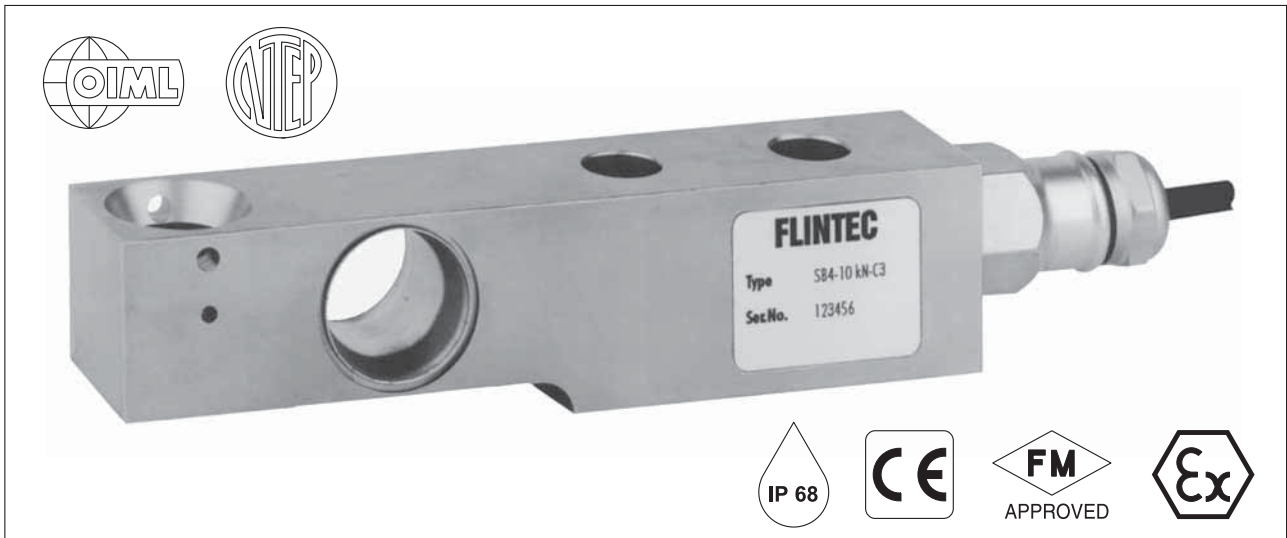




...the right weigh

Type SB4 Load Cell

SB4悬梁臂式称重传感器



Important Features

- Capacities: 5 kN to 100 kN.
- High accuracy.
- Total stainless steel construction.
- Complete hermetic sealing.
- Protection IP 68.
- Low profile.
- High input resistance: 1100Ω.
- W&M certified for 4000 intervals(PTB: D09-97.02 Rev. 1).
- Multi range and multi interval accuracy.
- Unique "blind" loading hole.
- Calibration in mV/V/Ω.
- Factory Mutual approved.

Option

- Explosion protection zone 0, 1, 2 and 20, 21, 22 ATEX.

选型

SB4	-量程	-防爆 (EX)
------------	-----	----------

主要特点

- 量程: 5kN到100kN
- 高精度
- 不锈钢结构
- 全金属焊接密封
- 防护等级 IP68
- 较低外形
- 输入电阻高: 1100Ω, 替换方便
- W&M认证, 4000分度。(PTB: D09-97.02 Rev. 1).
- 多量程和多间隔精度
- 盲孔安装
- 数字标定, 标定精度0.05%
- FM、OIML、NTEP、CE、FM、Ex认证

选项

- 防爆保护区域0, 1, 2和20, 21, 22ATEX

SB4 Specifications 技术参数

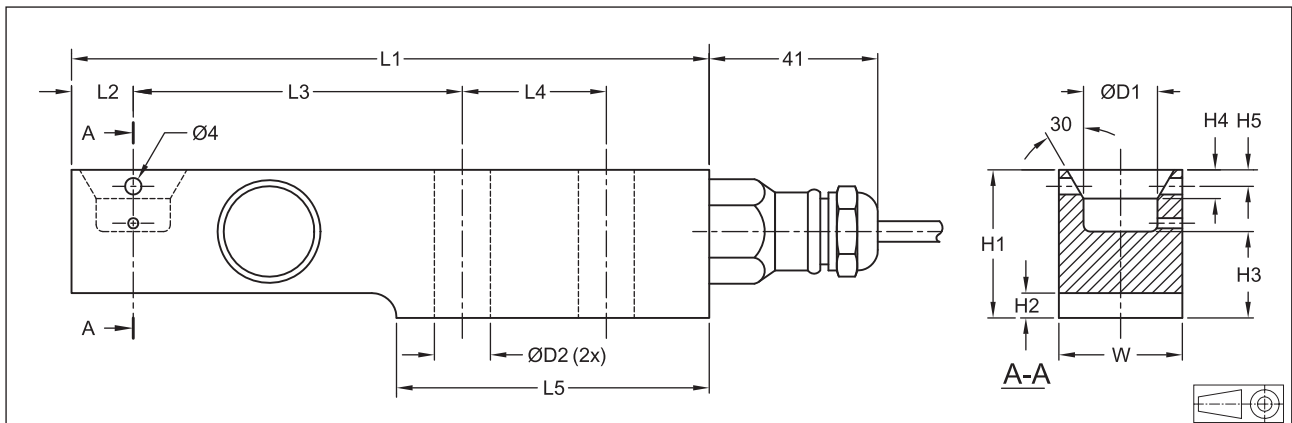
Maximum capacity 量程 (E _{max})	kN	5/10/20/50/100			5/10/20/50		
Metric equivalent (1 lb=0.45359 kg) 公制	kg	510/1020/2039/5099/10197			510/1020/2039/5099		
Rated Output 输出灵敏度 (C _n)	mV/V	2 ± 0.1%					
Calibration in mV/V/Ω 数字标定精度	%C _n	≤ ± 0.05 (≤ ± 0.005)					
Accuracy class according to OIML R 60 精度等级		(GP)	C1	C3	C3MI 7.5	C4	C4 MI 7.5
Maximum number of verification intervals 最大检定分度数 (N _{max})	n.a.	1000	3000	3000	4000	4000	
Minimum load cell verification interval 最小检定分度 (V _{min})	n.a.	E _{max} / 5100	E _{max} / 11000	E _{max} / 11000	E _{max} / 11000	E _{max} / /11000	
Combined error 综合误差	%C _n	≤ ± 0.040	≤ ± 0.030	≤ ± 0.020	≤ ± 0.020	≤ ± 0.018	≤ ± 0.018
Creep error (30 minutes)/DR 蠕变 (30分钟)	%C _n	≤ ± 0.060	≤ ± 0.049	≤ ± 0.016	≤ ± 0.0066	≤ ± 0.012	≤ ± 0.0066



...the right weigh

Temperature effect on minimum dead load output 零点温度系数	%Cn/°C	≤ ± 0.0040	≤ ± 0.0028	≤ ± 0.0012	≤ ± 0.0007	≤ ± 0.0012	≤ ± 0.0012
Temperature effect on sensitivity 灵敏度温度系数	%/°C	≤ ± 0.0020	≤ ± 0.0016	≤ ± 0.0011	≤ ± 0.0011	≤ ± 0.0008	≤ ± 0.0008
Excitation voltage 激励电压	V	5...15					
Zero balance 零点平衡	%Cn	≤ ± 5					
Input resistance 输入电阻	Ω	1100 ± 50					
Output resistance 输出电阻	Ω	1000 ± 2					
Insulation resistance 绝缘电阻 (100 V DC)	MΩ	≥ 5000					
Compensated temperature range 补偿温度范围	°C	-10...+40					
Operating temperature range 工作温度范围	°C	-40...+80					
Safe load limit 安全载荷限制 (Elim)	%Emax	200					
Ultimate load 极限载荷	%Emax	300					
Safe side load 安全侧载	%Emax	100					
Load cell material 材料		stainless steel 17-4 PH (1.4548) 不锈钢					
Sealing 密封		complete hermetic sealing; 全金属焊接密封					
Protection according DIN 40.050 防护等级		IP 68					

Dimensions 尺寸



型号	L1	L2	L3	L4	L5	H1	H2	H3	H4	H5	W	D1	D2	装配螺栓	力矩
SB4-5 kN/10 kN/20 kN	155	15	80	35	76	36	6	21	7	4	30	18	13	M12 8.8	90 Nm
SB4-50 kN	190	21	105	40	93	49	8	28.5	6	8	43	25	21	M20 8.8	400 Nm
SB4-100 kN	245	30	135	50	120	73	12.5	42	10	n.a.	60	30	27	M24 8.8	700 Nm

All dimensions in mm. 所有尺寸单位为: mm.

* Torque values assume oiled threads. 力矩值适用在油螺纹的情况下。

Wiring

- The load cell is provided with a shielded, 4 conductor cable (AWG 24). Cable jacket polyurethane.
- Cable length: 3 m for SB4-5 kN/10 kN/20 kN, 4.5 m for SB4-50 kN/100 kN.
- Cable diameter: 5 mm.
- The shield is floating (On request the shield can be connected to the load cell body).

连线

- 称重传感器专用4芯屏蔽电缆线 (AWG 24)。
- 电缆长度: 对于SB4-5 kN/10 kN/20 kN 为3m. 对于SB4-50 kN/100 kN为4.5m.
- 电缆直径为: 5 mm
- 屏蔽线悬浮 (如果要求, 屏蔽可与称重传感器本体相连)

接线图

