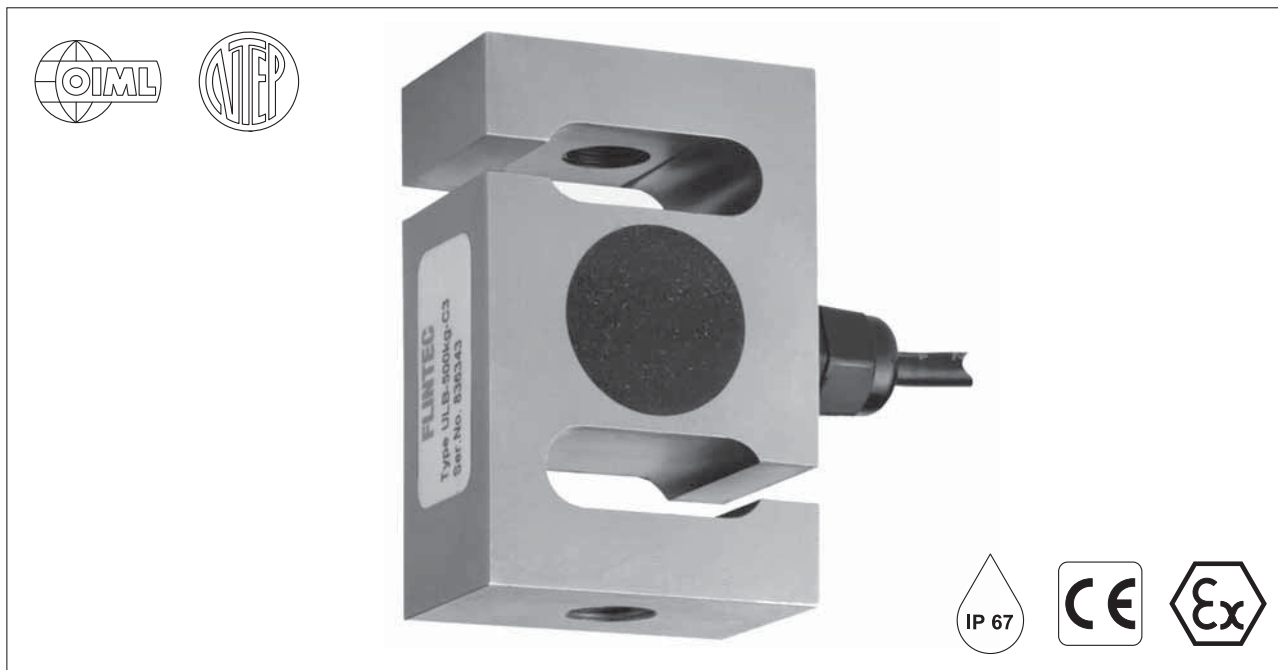




...the right weigh

## Type ULB Load Cell

ULB称重传感器



### Important Features

- Capacities: 50 kg to 5000 kg.
- High accuracy.
- Total stainless steel construction or alloy steel
- Protection IP 67.
- High input resistance: 1100Ω.
- W&M certified for 3000 intervals (in preparation).

### Option

- Explosion protection zone 0, 1, 2 and 20, 21, 22 ATEX.

### 选型

<b>ULB</b>	-量程	-防爆 (EX)
------------	-----	----------

例如: ULB-100kg-C3-EX

### 主要特点

- 称重范围: 50kg 到5000kg
- 高精度
- 不锈钢或合金钢材质
- 防护等级IP67.
- 输入阻抗高: 1100Ω, 替换性好
- W&M认证, 3000分度

### 选项

- 防爆保护区0, 1, 2和20, 21, 22ATEX

### ULB Specifications 技术参数

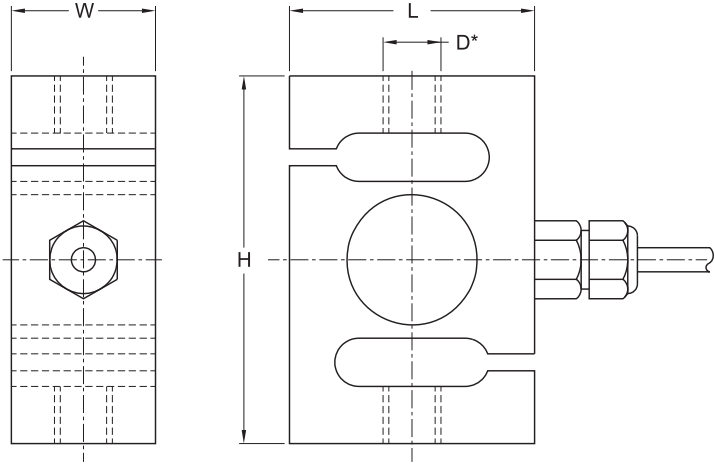
Maximum capacity 量程(Emax)	kg	50/100/200/500/1000/2000/3000/5000		
Rated Output 输出灵敏度 (Cn)	mV/V	2 ± 0.1%		
Calibration in mV/V/Ω 数字标定精度	%Cn	≤ ± 0.05 (≤ ± 0.005)		
Accuracy class according to OIML R 60 精度等级		(GP)	C1	C3
Maximum number of verification intervals 最大检定分度数 (Nmax)		n.a.	1000	3000
Minimum load cell verification interval 最小检定分度 (Vmin)		n.a.	Emax/6000	Emax/12000
Combined error 综合误差	%Cn	≤ ± 0.040	≤ ± 0.030	≤ ± 0.020
Creep error (30 minutes)/DR 蠕变	%Cn	≤ ± 0.060	≤ ± 0.049	≤ ± 0.016
Temperature effect on minimum dead load output 零点温度系数	%Cn/°C	≤ ± 0.0040	≤ ± 0.0028	≤ ± 0.0011
Temperature effect on sensitivity 灵敏度温度系数	%/°C	≤ ± 0.0020	≤ ± 0.0016	≤ ± 0.0011
Excitation voltage 激励电压	V	5...15		
Zero balance 零点平衡	%Cn	≤ ± 5		



...the right weigh

Input resistance 输入电阻	$\Omega$	1100 $\pm$ 50 / 370 $\pm$ 10
Output resistance 输出电阻	$\Omega$	1000 $\pm$ 2 / 350 $\pm$ 3
Insulation resistance 绝缘电阻 (100 V DC)	M $\Omega$	$\geq$ 5000
Compensated temperature range 补偿温度范围	$^{\circ}\text{C}$	-10...+40
Operating temperature range 工作温度范围	$^{\circ}\text{C}$	-20...+65
Safe load limit 安全载荷限制 (Elim)	%Emax	200
Ultimate load 极限载荷	%Emax	300
Load cell material 材料		stainless steel 17-4 PH (1.4548) 不锈钢 Alloy steel 合金钢
Sealing 密封		Potted 胶封
Protection according DIN 40.050 防护等级		IP 67

## Dimensions 尺寸



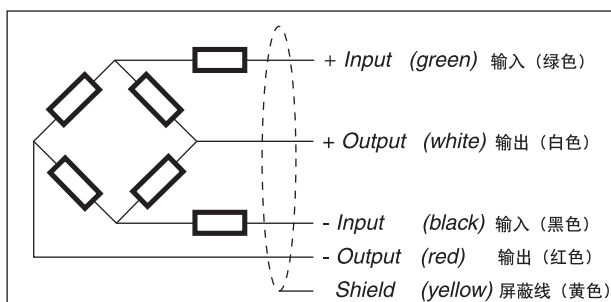
型号	H	L	W	公制螺纹 D-M	英制螺纹 D-U	英制螺纹 D-H
ULB-50 kg...500 kg	76.2	49	30	M12 x 1.75	1/2-20	
ULB-1000 kg	76.2	49	30	M16 x 2	1/2-20	5/8-18
ULB-2000 kg	86.1	76.2	30	M16 x 2	5/8-18	
ULB-3000 kg	88.7	88.7	40	M20 x 1.5	3/4-16	
ULB-5000 kg	146	91.2	56.4	M24 x 2	1-12	

Versions with unified thread available: -U / -H.

螺纹标准: -U / -H.

All dimensions in mm. 所有尺寸单位为mm.

### 接线图



### Wiring

- The load cell is provided with a shielded, 4 conductor cable (AWG 24). Cable jacket polyurethane.
- **Cable length:** 6 m.
- **Cable diameter:** 5 mm.
- The shield is floating (On request the shield can be connected to the load cell body).

### 连线

- 称重传感器专用4芯屏蔽电缆线 (AWG 24)
- 电缆长度: 6m
- 电缆直径为: 5 mm
- 屏蔽线悬浮 (如果要求, 屏蔽可与称重传感器本体相连)