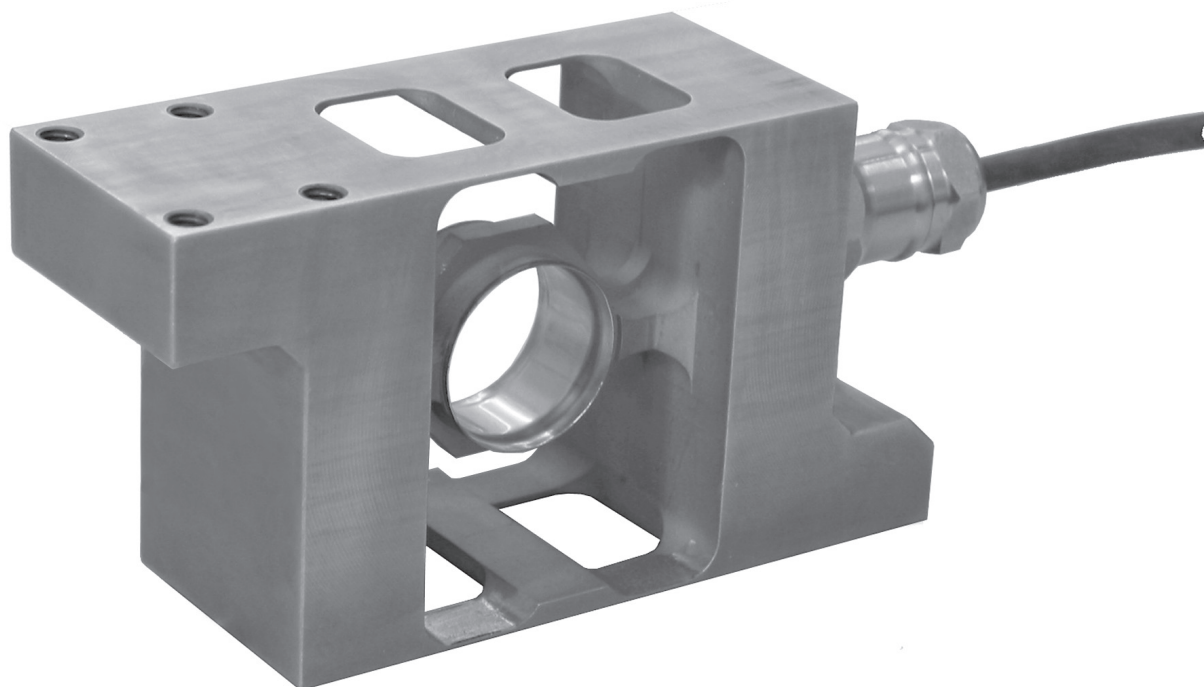


## Type PC12 Load Cell



### Product Description

The type PC12 is a stainless steel single point load cell with complete hermetic sealing. It is designed for dynamic weighing processes.

### Application

- Check weighers and conveyor scales

### Key Features

- Capacity of 20 kg
- Stainless steel construction
- Environmental Protection IP68 with complete hermetic sealing
- Maximum platform size up to 600 x 600 mm
- High input resistance

### Approvals

- OIML approval, in preparation
- ATEX hazardous area approval for Zone 0, 1, 2, 20, 21 and 22

### Packed Weight

- 1.6 kg

### Available Accessories

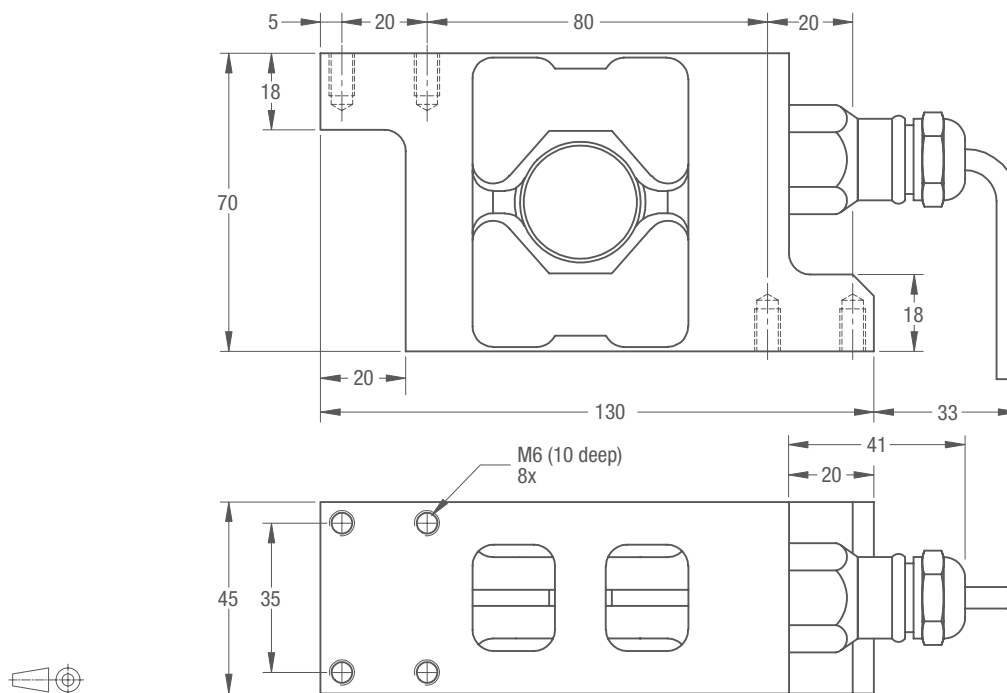
- Compatible range of electronics

### PC12 Specifications

Maximum capacity	(E <sub>max</sub> )	kg	20		
Accuracy class according to OIML R60			C3	C3 MI 6	C4
Maximum number of verification intervals	(n <sub>LC</sub> )		3 000		4 000
Minimum load cell verification interval	(V <sub>min</sub> )		E <sub>max</sub> / 20 000		
Temperature effect on minimum dead load output	(TC <sub>0</sub> )	%*RO/10°C	≤ ± 0.0070		
Temperature effect on sensitivity	(TC <sub>RO</sub> )	%*RO/10°C	≤ ± 0.0100		≤ ± 0.0080
Combined error		%*RO	≤ ± 0.0200	≤ ± 0.0180	≤ ± 0.0180
Non-linearity		%*RO	≤ ± 0.0166	≤ ± 0.0166	≤ ± 0.0125
Hysteresis		%*RO	≤ ± 0.0166	≤ ± 0.0083	≤ ± 0.0125
Creep error (30 minutes) / DR		%*RO	≤ ± 0.0166	≤ ± 0.0083	≤ ± 0.0125
Rated Output	(RO)	mV/V	2 ± 5%		
Zero balance		%*RO	≤ ± 5		
Excitation voltage		V	5...15		
Input resistance	(R <sub>LC</sub> )	Ω	1 100 ± 50		
Output resistance	(R <sub>out</sub> )	Ω	960 ± 50		
Insulation resistance (100 V DC)		MΩ	≥ 5 000		
Safe load limit	(E <sub>lim</sub> )	%*E <sub>max</sub>	200		
Ultimate load		%*E <sub>max</sub>	300		
Safe side load		%*E <sub>max</sub>	100		
Maximum platform size; loading acc. to OIML R76		mm	600 x 600		
Maximum off centre distance at maximum capacity		mm	200		
Compensated temperature range		°C	-10...+40		
Operating temperature range		°C	-40...+80 (ATEX -40...+60)		
Load cell material			stainless steel 17-4 PH (1.4548)		
Sealing			complete hermetic sealing; cable entry sealed by glass to metal header		
Protection according DIN 40.050			IP68		

The limits for Non-Linearity, Hysteresis, and TC<sub>RO</sub> are typical values.  
The sum of Non-linearity, Hysteresis and TC<sub>RO</sub> meets the requirements according to OIML R60 with p<sub>LC</sub>=0.7.

### Dimensions (in mm)



Mounting bolts M6 8.8; torque 10 Nm. Torque value assumes oiled threads.

### Wiring

- The load cell is provided with a shielded, 4 conductor cable (AWG 24).  
Cable jacket polyurethane
- Cable length: 3 m
- Cable diameter: 5 mm
- The shield is floating

On request 6 conductor cable and the shield connected to the load cell body available

