

MODEL 6118-8

FEATURES :

- Heavy-duty construction
- Epoxy-embedded coin silver slip rings
- Silver graphite brushes
- Hollow shaft for easy mounting
- Low noise
- Designed for reuse
- Watertight covers and seals optionally available

Lebow® slip rings are self-contained units. The rings are molded on a hollow steel shaft. The brush assembly is supported through shielded ball bearings by the slip ring housing.

The entire assembly slides over the shaft of the test device and is held in place with locking screws. Leads are generally run through a hollow shaft in the test device.

PERFORMANCE SPECS :

6105, 6109, 6116, 6118, 6121 AND 6129

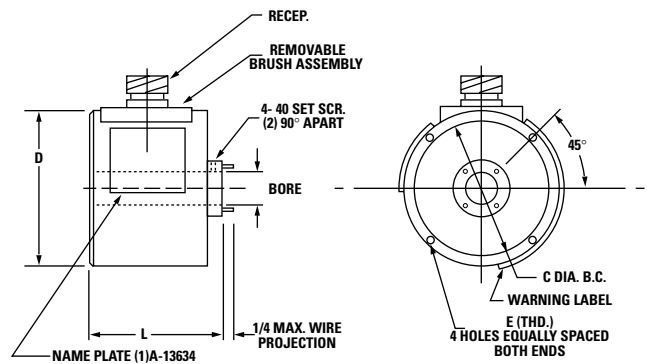
SPECIFICATIONS

Rings: Coin silver. Molded to shaft with high-temperature epoxy.

Leads: Silver wire. Silver soldered to ring and embedded in epoxy.

Brushes: Two brushes per ring. Silver graphite, positive wire connection, only screwdriver needed to replace brushes.

Bearings: Shielded ball bearings.



MODEL 6109-8



SENSOR CHARACTERISTICS: 6105, 6109, 6116, 6118, 6121 AND 6129

MODEL NUMBER	BORE DIA. in. (cm.)	NO. OF RINGS	DIMENSIONS				MAX. SPEED RPM	BRUSH LIFE FACTOR x 10 ⁶	RING DIA. in.
			D in. (cm.)	L in. (cm.)	C in. (cm.)	E in. (cm.)			
6105-4	1.00 (2.54)	4	3.88 (9.84)	3.56 (9.04)	3.13 (7.94)	8-32	5,000	18.20	1.69
6105-8	1.00 (2.54)	8	3.88 (9.84)	5.06 (12.85)	3.13 (7.94)	8-32	5,000	18.20	1.69
6105-12	1.00 (2.54)	12	3.88 (9.84)	6.56 (16.66)	3.13 (7.94)	8-32	5,000	18.20	1.69
6109-4	4.50 (11.43)	4	8.06 (20.47)	7.13 (18.11)	n/a	n/a	2,000	6.20	5.75
6109-8	4.50 (11.43)	8	8.06 (20.47)	8.63 (21.92)	n/a	n/a	2,000	6.20	5.75
6109-12	4.50 (11.43)	12	8.06 (20.47)	10.13 (25.73)	n/a	n/a	2,000	6.20	5.75
6116-4	1.50 (3.81)	4	4.00 (10.16)	3.75 (9.53)	3.50 (8.89)	8-32	5,000	14.00	2.19
6116-8	1.50 (3.81)	8	4.00 (10.16)	5.25 (13.34)	3.50 (8.89)	8-32	5,000	14.00	2.19
6116-12	1.50 (3.81)	12	4.00 (10.16)	6.75 (17.15)	3.50 (8.89)	8-32	5,000	14.00	2.19
6118-4	0.50 (1.27)	4	2.38 (6.03)	2.13 (5.40)	2.13 (5.40)	4-40	8,000	6.20	1.00
6118-8	0.50 (1.27)	8	2.38 (6.03)	2.88 (7.30)	2.13 (5.40)	4-40	8,000	6.20	1.00
6118-12	0.50 (1.27)	12	2.38 (6.03)	3.63 (9.21)	2.13 (5.40)	4-40	8,000	6.20	1.00
6121-4	3.00 (7.62)	4	6.75 (17.15)	4.75 (12.07)	6.00 (15.24)	10-24	3,500	8.20	3.75
6121-8	3.00 (7.62)	8	6.75 (17.15)	6.25 (15.88)	6.00 (15.24)	10-24	3,500	8.20	3.75
6121-12	3.00 (7.62)	12	6.75 (17.15)	7.75 (19.69)	6.00 (15.25)	10-24	3,500	8.20	3.75
6129-4	2.00 (5.08)	4	5.00 (12.70)	4.59 (11.67)	4.38 (11.11)	10-24	4,500	11.40	2.69
6129-8	2.00 (5.08)	8	5.00 (12.70)	6.59 (16.75)	4.38 (11.11)	10-24	4,500	11.40	2.69
6129-12	2.00 (5.08)	12	5.00 (12.70)	8.59 (21.83)	4.38 (11.11)	10-24	4,500	11.40	2.69

Please contact factory for special requirements. Metric dimensions and specifications are purely mathematical calculations from standard English dimension control drawings. Request certified drawings before designing mountings or fixtures. Dimensions and specifications are subject to change without notice.

