

Model 2105

Low Capacity Reaction Torque Sensor



DESCRIPTION

Model 2105 low capacity flange/shaft reaction torque sensor is designed for installation between test pieces such as motors, switches, axles, or shafts and their mounting plate. These models operate and are calibrated in both directions. These models have no moving parts and utilize four bonded strain gages on a

special machined portion of the transducer to achieve a maximum non-linearity of 0.1% over a wide dynamic range. Typical applications include tire braking, motor dynamometers, friction-skid testing, and twist measurement. 50 in-oz to 1000 in-oz capacities.

FEATURES

- 50 in-oz to 1000 in-oz capacities
- 0.1 % non-linearity and hysteresis
- Reaction measurements designed to eliminate speed limitations
- Reduced friction error
- No maintenance of slip rings, bearings, or brushes
- Compact, "low mass" physical style

Safety considerations: It would be unsafe to operate Honeywell torque sensors and load cells beyond static overload or ultimate extraneous load limits as defined in the glossary of terms or, when applicable, higher than maximum speed. When in doubt, consult factory. Honeywell is not responsible for any property damage or personal injury which may result because of the misapplication of the transducer.

Model 2105

PERFORMANCE SPECIFICATIONS

Characteristic	Measure
Torque range	50, 100, 200, 500, 1000 oz-in
Non-linearity	±0.1 % of rated output
Hysteresis	±0.1 % of rated output
Repeatability	±0.05 % of rated output
Output @ rated capacity	2.0 mV/V (nominal)

ENVIRONMENTAL SPECIFICATIONS

Characteristic	Measure
Temperature, operating	-54 °C to 93 °C [-65 °F to 200 °F]
Temperature, compensated	21 °C to 77 °C [70 °F to 170 °F]
Temperature effect, zero	±0.002 %/of rated output °F
Temperature effect, output	±0.002 %/of reading °F

ELECTRICAL SPECIFICATIONS

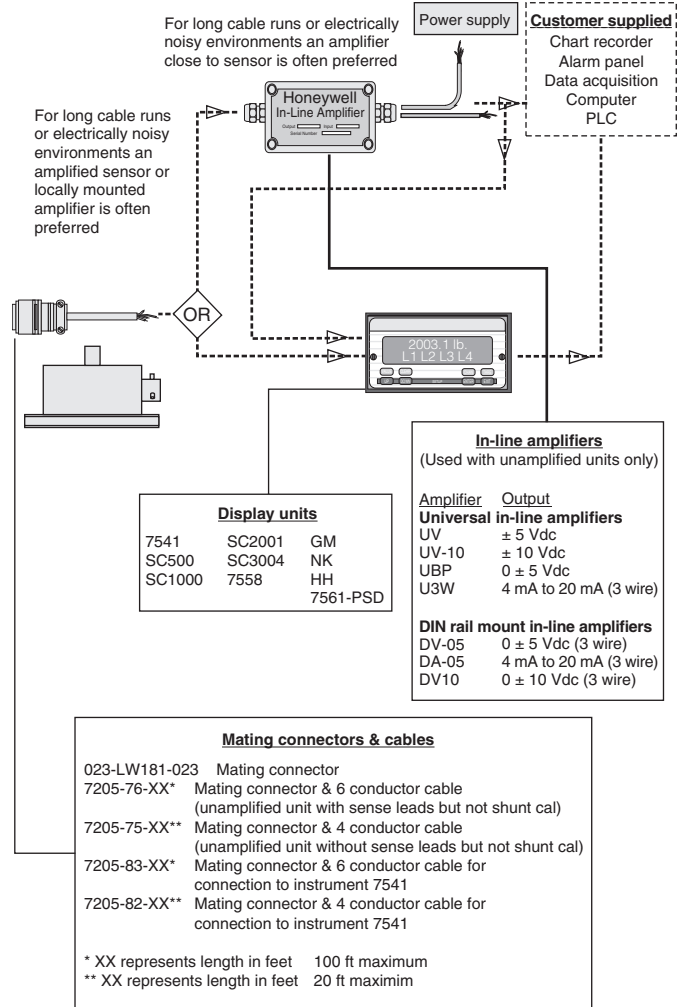
Characteristic	Measure
Excitation (maximum)	20 Vdc or Vac RMS
Insulation resistance	> 5000 mOhm @ 50 Vdc
Bridge resistance	350 ohm (nominal)
Number of bridges	1
Zero balance	±1.0 % of rated output

MECHANICAL SPECIFICATIONS

Model	Capacity Nm [oz-in]	Overload Nm [oz-in]	Torsional stiffness Nm/rad [oz-in/rad]	Max. overhung moment WxS Nm [oz-in]	Max. shear W N [oz]	Max. thrust P N [oz]
2105-50	0.35 [50]	0.53 [75]	91 [12900]	0.72 [100]	44.50 [160]	89 [320]
2105-100	0.70 [100]	1.06 [150]	127 [18000]	1.08 [150]	66.75 [240]	178 [640]
2105-200	1.5 [200]	2.25 [300]	364 [51500]	1.44 [200]	89 [320]	267 [960]
2105-500	3.5 [500]	5.30 [750]	674 [95500]	1.80 [250]	110 [400]	445 [1600]
2105-1K	7.00 [1000]	10.60 [1500]	1822 [258000]	2.88 [400]	133 [480]	667 [2400]

Torsional stiffness given for sensor less shaft extension(s).

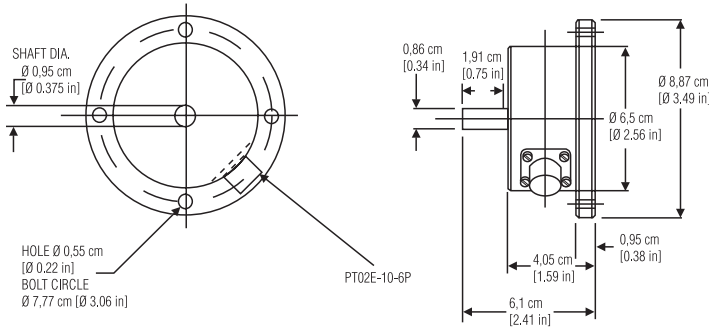
TYPICAL SYSTEM DIAGRAM



Model 2105

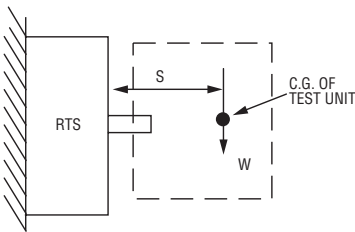
Low Capacity Reaction Torque Sensor

MOUNTING DIMENSIONS



For reference only

LOAD CARRYING CAPACITY



W - weight of test device

W x S - overhung moment

S - distance to center of gravity to test unit

Do not exceed moment (**W x S**) or shear (**W**), whichever value is attained first

P = thrust

Warranty. Honeywell warrants goods of its manufacture as being free of defective materials and faulty workmanship. Honeywell's standard product warranty applies unless agreed to otherwise by Honeywell in writing; please refer to your order acknowledgement or consult your local sales office for specific warranty details. If warranted goods are returned to Honeywell during the period of coverage, Honeywell will repair or replace, at its option, without charge those items it finds defective. **The foregoing is buyer's sole remedy and is in lieu of all warranties, expressed or implied, including those of merchantability and fitness for a particular purpose. In no event shall Honeywell be liable for consequential, special, or indirect damages.**

While we provide application assistance personally, through our literature and the Honeywell web site, it is up to the customer to determine the suitability of the product in the application.

Specifications may change without notice. The information we supply is believed to be accurate and reliable as of this printing. However, we assume no responsibility for its use.

For more information about Sensing and Control products, visit www.honeywell.com/sensing or call +1-815-235-6847

Email inquiries to info.sc@honeywell.com

WARNING **PERSONAL INJURY**

- DO NOT USE these products as safety or emergency stop devices or in any other application where failure of the product could result in personal injury.

Failure to comply with these instructions could result in death or serious injury.

WARNING **MISUSE OF DOCUMENTATION**

- The information presented in this catalogue is for reference only. DO NOT USE this document as product installation information.
- Complete installation, operation and maintenance information is provided in the instructions supplied with each product.

Failure to comply with these instructions could result in death or serious injury.

Sensing and Control
Automation and Control Solutions
Honeywell
1985 Douglas Drive North
Golden Valley, MN 55422 USA
+1-815-235-6847

www.honeywell.com/sensing

SUNSTAR 自动化 <http://www.sensor-ic.com/> TEL: 0755-83376489 FAX:0755-83376182 E-MAIL:szss20@163.com

008798-1-EN IL50 GLO
June 2008

Copyright © 2008 Honeywell International Inc. All rights reserved.

Honeywell