

# Model 5330 Hollow Flange Reaction Torque Transducer



Why the Interface model 5330 Reaction Torque Transducer is the best in class:

- High torsional stiffness
- Extraneous load resistance
- Compact size
- Large thru-hole

## SPECIFICATIONS

### ACCURACY – (MAX ERROR)

Nonlinearity-% FS .....±0.1  
 Hysteresis-% FS .....±0.25  
 Nonrepeatability-% .....±0.05

### TEMPERATURE

Compensated Range-°F .....±75 to ±175  
 Compensated Range-°C .....+24 to +80  
 Operating Range-°F .....-65 to +225  
 Operating Range-°C .....-54 to +107  
 Effect on Output-%/°F-MAX.....±0.002  
 Effect on Zero-% RO/°F-MAX.....±0.002

### ELECTRICAL

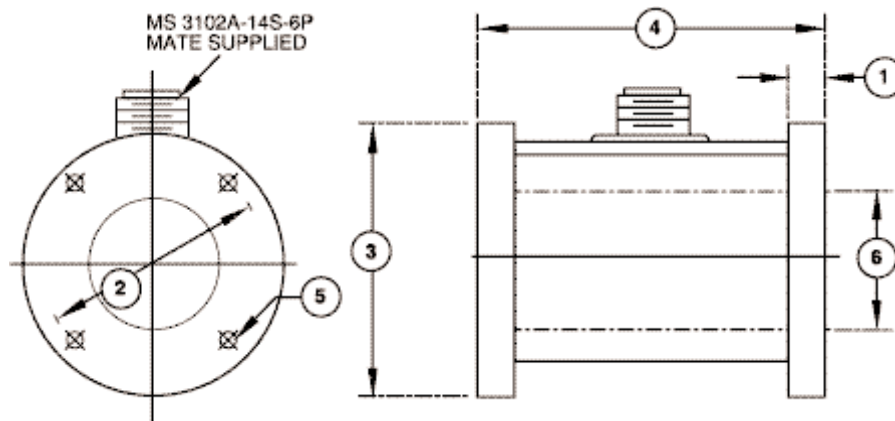
Rated Output-mV/V (Nominal).....2.0  
 (5330-60 thru 6K .....1.0)  
 Bridge Resistance-Ohm (Nominal) ....350  
 (5330-3K thru 100K .....700)  
 Excitation Voltage-MAX .....10 VDC

### MECHANICAL

Calibration .....CW & CCW  
 Safe Overload-% CAP .....200

## DIMENSIONS

See Drawing	MODEL 5330 HOLLOW FLANGE TYPE				
	CAPACITY (lb-in)				
	60, 120, 240	600, 1200	3K, 6K	10K, 20K	50K, 100K
	inch	inch	inch	inch	inch
①	0.3125	0.3125	0.3125	0.625	0.625
②	2	2.5	3.375	4.375	7.00
③	2.5	3.25	4	5	8.5
④	2.125	2.125	2.125	3.5	3.5
⑤	0.203 thru 2 places	0.39 thru 2 places	0.406 thru 4 places	3/8-24 UNF 6 places	0.63 thru 8 places
⑥	.875 thru	1.375 thru	2.375 thru	3.375 thru	3.375 thru



Model 5330