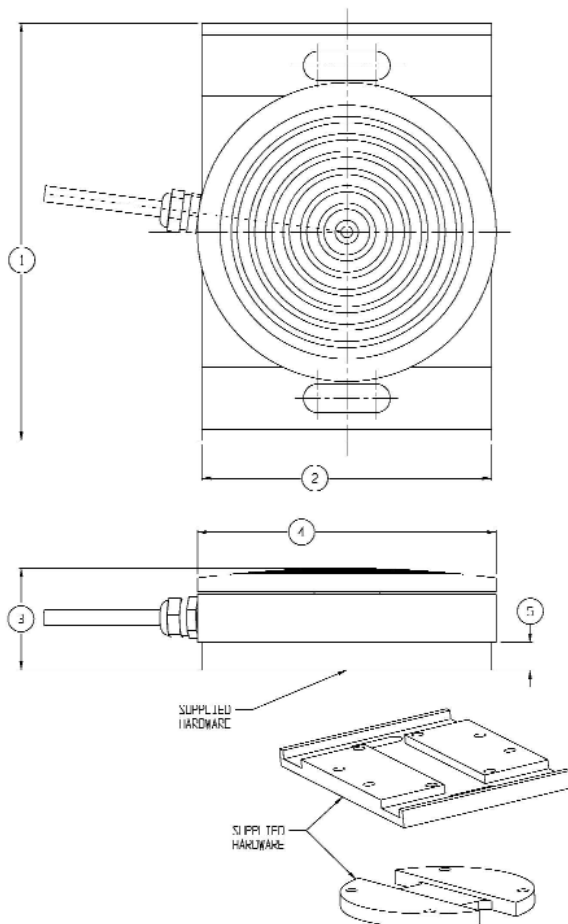


Model BPL Pedal Load Cell

Capacities 50-500 lbf

Why the Interface model BPL Pedal Load Cell is the best in class:

- Lowest nonlinearity and hysteresis of any brake pedal load cell – < 0.05%
- Ultra low height
- Low sensitivity to off-center loads - <1.0%/in
- Mounts directly to pedal with included strap(s)
- Interchangeable mounting plates
- For use with gas, brake or clutch pedal



SPECIFICATIONS

ACCURACY – (MAX ERROR)

Static Error Band	±0.05
Nonlinearity-% FS	±0.05
Hysteresis-% FS	±0.05
Nonrepeatability-% RO	±0.02
Creep, in 20 min-%	±0.05
Eccentric Load Sensitivity-%/in	±1

TEMPERATURE

Compensated Range-°F	15 to 115
Compensated Range-°C	-10 to 45
Operating Range-°F	-65 to 200
Operating Range-°C	-55 to 90
Effect on Output-%/°F-MAX	±0.001
Effect on Zero-% RO/°F-MAX	±0.002

ELECTRICAL

Rated Output-mV/V (Nominal)	2.0
Zero Balance-% RO	±1.0
Bridge Resistance-Ohm (Nominal)	700
Excitation Voltage-MAX	15 VDC
Excitation Voltage-Nominal	10 VDC
Insulation Resistance-Megohm	> 5000
Deflection at Capacity (inch)	0.002

MECHANICAL

Calibration	Compression
Safe Overload-% CAP	150
Safe Overload-Side-% CAP:	40, any direction
Cable	10 ft

DIMENSIONS

See Drawing	CAPACITY (lbf)	
	50, 100, 200, 300, 500	
	inch	mm
①	3.60	91.4
②	2.50	63.5
③	0.88	22.3
④	2.58	65.5
⑤	0.24	6.1