

Model REC Rod End Load Cell

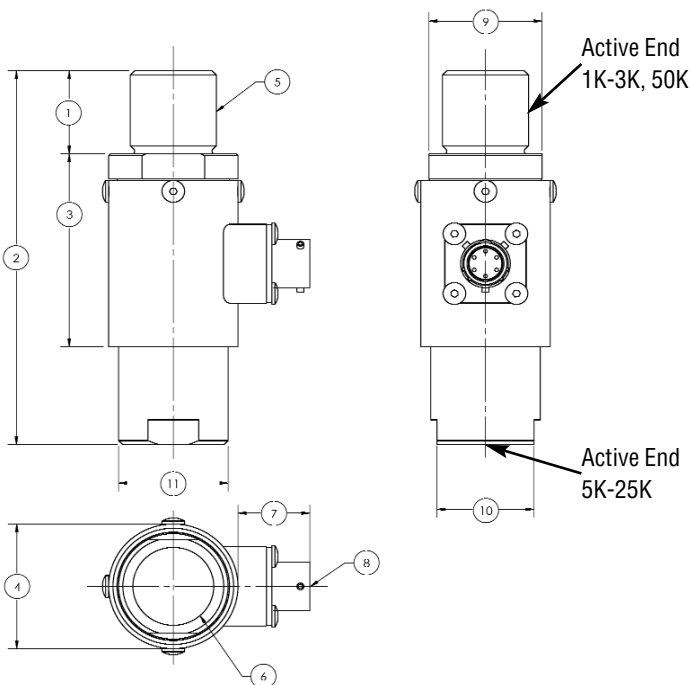
Why the Interface model REC Rod End Load Cell is the best in class:

- Proprietary Interface temperature compensated strain gages
- Environmentally sealed
- Stainless steel construction (1K, 5 kN aluminum)
- Low deflection



DIMENSIONS

See Drawing	CAPACITY							
	U.S. (lbf)	Metric (kN)	U.S. (lbf)	Metric (kN)	U.S. (lbf)	Metric (kN)	U.S. (lbf)	Metric (kN)
	1K, 2K, 3K	5, 10, 13	5K, 10K	22, 45	15K, 20K, 25K	67, 90, 110	50K	220
	inch	mm	inch	mm	inch	mm	inch	mm
①	1.00	25.4	1.00	25.4	1.00	25.4	1.50	38.1
②	4.25	108	4.50	114.3	4.50	114.3	7.00	177.8
③	N/A	N/A	2.32	58.9	2.32	58.9	N/A	N/A
④	N/A	N/A	∅ 1.50	∅ 38.1	∅ 1.73	∅ 43.9	N/A	N/A
⑤	.750-16 UNF-3A		1.00-14 UNS-2A		1.00-14 UNS-2A		1.500-12 UNF-2A	
⑥	.750-16 UNF-2B X .88" deep		1.00-14 UNS-2B X 1.0" deep		1.00-14 UNS-2B X 1.0" deep		1.500-12 UNF-2B X 1.5" deep	
⑦	.83	21.1	.83	21.1	.85	21.6	.71	18
⑧	PT02E-10-6P Connector		PT02E-10-6P Connector		PT02E-10-6P Connector		PT02E-10-6P Connector	
⑨	1.13 28.7 Wrench Flats		1.31 33.3 Wrench Flats		1.50 38.1 Wrench Flats		1.75 44.5 Wrench Flats	
⑩	1.31 33.3 Wrench Flats		1.13 28.7 Wrench Flats		1.31 33.3 Wrench Flats		2.25 57.2 Wrench Flats	
⑪	1.50	38.1	∅ 1.27	∅ 32.3	∅ 1.50	∅ 38.1	∅ 2.50	∅ 63.5



SPECIFICATIONS

ACCURACY – (MAX ERROR)

Nonlinearity - % FS	±0.25
Hysteresis - % FS	±0.15
Nonrepeatability - % FS	±0.05

TEMPERATURE

Compensated Range - °F	60 to 160
Compensated Range - °C	15 to 72
Operating Range - °F	-60 to 200
Operating Range - °C	-50 to 93
Effect on Output - %/°F	±0.005
Effect on Output - %/°C	±0.01
Effect on Zero - % RO/°F	±0.005
Effect on Zero - % RO/°C	±0.01

ELECTRICAL

Rated Output - mV/V (nominal)	2
Zero Balance - % RO	±3
Bridge Resistance - Ohm (nominal)	350
Excitation Voltage - MAX	15 VDC

MECHANICAL

Calibration	T & C
Safe Overload - % RO	150
Deflection	0.001 inch
Connector	PT02E-10-6P

STANDARD CONFIGURATION

PT02E-10-6P Connector
5K-50K: MS3102E-14-5P Connector optional

OPTIONS

Integral Cable
Standardized Output

ACCESSORIES

Instrumentation
Mating Connector PT06A-10-6S-SR

Consult factory for more technical information