

Tensile Force Sensors

Models 85081, 85082, 85083

Code:	85081 EN
Delivery:	approx. 12 weeks
Warranty:	24 months

CAD data 2D/3D for this sensor:
Download directly at www.traceparts.com
Info: refer to data sheet 80-CAD-EN



Model 85081



Model 85082



Model 85083

- Measuring ranges between 0 ... 10 kN and 0 ... 1000 kN
- Non-linearity < 0.2% F.S.
- For static and dynamic measurements
- Made of stainless steel
- Welded construction
- Optionally IP68
- Special versions, e.g. for tensile and compressive force, by request

Application

These load cells have an external or internal thread on both sides and can therefore be used for accurately measuring tensile forces in rods or, using thread eyes, in cables. The robust construction – welded of stainless steel – allows the sensor to be used in many fields such as research, development, test engineering and quality control.

Applications:

- ▶ Vehicle and container scales
- ▶ Test machines
- ▶ Measurements of proportioning and filling level
- ▶ Measurement of cable forces and cranes
- ▶ Avalanche research
- ▶ Oil production

Description

Both load cell types have cylindrical bodies, with a thread at each end for the application of the force. The good figures for linearity, hysteresis and long-term stability are achieved as a result of the special design of the measuring element, on which there is a full-bridge wire strain gauge. The sensors are constructed of stainless steel and are welded to hermetically seal them. The electrical connection has an important effect on the degree of protection of the sensors. Splash-proof protection is achieved here through a high-quality military standard plug-in connector. They are totally sealed by an integrated, waterproof cable connection (optional).

On the model 85081 there is a threaded bolt with an external thread on each side of the cylindrical body. These threaded bolts are integral components of the sensor. On the model 85082, both sides of the cylindrical body have an internal thread. The model 85083 has one internal and external thread.

85081 EN

Technical Data

Model 85081

Order Code	Measurement Range	Thread T	Dimensions [mm]				
			ø D	L	G1 nom.	A	B
85081-10	0 ... 10 kN	M 14 x 2.0	38.1	66.0	24	19.1	39.9
85081-20	0 ... 20 kN	M 14 x 2.0	38.1	66.0	24	19.1	39.9
85081-50	0 ... 50 kN	M 39 x 1.5	63.5	77.5	38	19.1	52.6
85081-100	0 ... 100 kN	M 39 x 1.5	63.5	77.5	38	19.1	52.6
85081-200	0 ... 200 kN	M 39 x 1.5	63.5	77.5	38	19.1	52.6
85081-500	0 ... 500 kN	M 64 x 2.0	88.9	101.6	76	38.1	76.3
85081-1000	0 ... 1000 kN	M 90 x 4.0	114.3	127.0	102	38.1	89.0

Models 85082 and 85083

Order Code		Measuring Range	Thread T	Dimensions [mm]					
				ø D	L	G1 nom.	G2 nom.	A	B
85082- 10	85083- 10	0 ... 10 kN	M 14 x 2.0	38.1	108.0	24	19	9.1	39.9
85082- 20	85083- 20	0 ... 20 kN	M 14 x 2.0	38.1	108.0	24	19	19.1	39.9
85082- 50	85083- 50	0 ... 50 kN	M 39 x 1.5	63.5	177.8	38	38	19.1	52.6
85082- 100	85083- 100	0 ... 100 kN	M 39 x 1.5	63.5	177.8	38	38	9.1	52.6
85082- 200	85083- 200	0 ... 200 kN	M 39 x 1.5	63.5	177.8	38	38	9.1	52.6
85082- 500	85083- 500	0 ... 500 kN	M 64 x 2.0	114.3	355.6	76	89	8.1	89.0
85082-1000	85083- 1000	0 ... 1000 kN	M 90 x 4.0	139.7	457.2	102	114	38.1	101.7

Electrical values

Bridge resistance: foil strain gauges	350 Ω, nominal*
Calibration resistor:	59 kΩ ± 0.1 %
The bridge output voltage caused by a shunt of this value is given in the calibration protocol.	
Reference excitation voltage:	10 V DC or AC
Characteristic:	2 mV/V, nominal*
Isolation resistance:	> 5 MΩ

* Deviation from the stated value are possible.

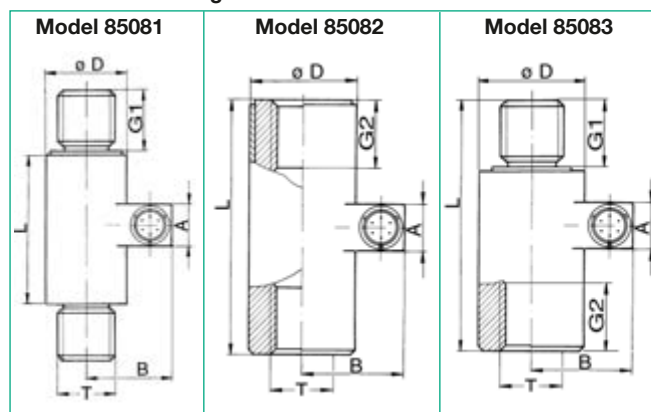
Environmental conditions

Operation temperature range:	- 55 °C ... 120 °C
Nominal temperature range:	15 °C ... 70 °C
Influence of temperature to: zero signal characteristic	± 0.01 % F.S./K + 0.01 % Rdg./K

Mechanical values

Non-linearity:	< ± 0.2 % F.S.
Hysteresis:	< ± 0.2 % F.S.
Spread at unchanged mounting position:	< ± 0.05 % F.S.
Max. operation force:	150 % of nominal force
Nominal deflection at nominal force: measurement range ≤ 0 ... 20 kN measurement range ≥ 0 ... 50 kN	approx. 80 μm approx. 100 μm
Maximum dynamic load: recommended possible	70 % of nominal load 100 % of nominal load
Design:	The tensile load cells are welded hermetically close. KAPTON is used as an isolation material.
Material:	stainless steel 17 - 4 PH (similar to 1.4542)
Dimensions:	refer to table and dimensional drawing
Protection class:	according to EN 60529 IP64 (IP68 refer to options)
Electrical connection: measurement range ≤ 200 kN measurement range ≥ 500 kN	MIL plug-in connector 6 pin bajonett connector 6 pin screw connector
Wiring of the connector (plug):	
pin A + B	excitation positive
pin C + D	excitation negative
pin E	output negative
pin F	output positive

Dimensional drawing



The CAD drawing (3D/2D) for this sensor can be imported online directly into your CAD system.

Download via www.burster.com or directly at www.traceparts.com. For further information about the burster traceparts cooperation refer to data sheet 80-CAD-EN.

Order information

Tensile load cell model 85081, range 0 ... 20 kN	Model 85081-20
Tensile load cell model 85082, range 0 ... 100 kN	Model 85082-100
Please use the short term to state options e.g. option IP68	Order Code ...-V0001000

Accessories

for measurement range ≤ 200 kN	
Mating connector (6 pin cable coupling) in scope of delivery	Model 9945
Connection cable, one end open for soldering, PVC, length 3 m	Model 9986
Connection cable, suitable to burster desktop devices, PVC, length 3 m	Model 9911
for measurement range ≥ 500 kN	
Mating connector (6 pin cable coupling) in scope of delivery	Model 9946
Connection cable, one side open for soldering, PVC, length 3 m	Model 99546-000A-0150030
Connection cable, suitable to burster desktop devices, PVC, length 3 m	Model 9912

Options

Option Extension of the nominal temperature range to 20 °C ... 120 °C	Order Code ...-V0F00000
Option IP68 internal, waterproofed cable connection, length 3 m, approx. ø 6 mm, usable up to 80 °C, instead of a plug-in connector	Order Code ...-V0001000