

MANUAL TYPE

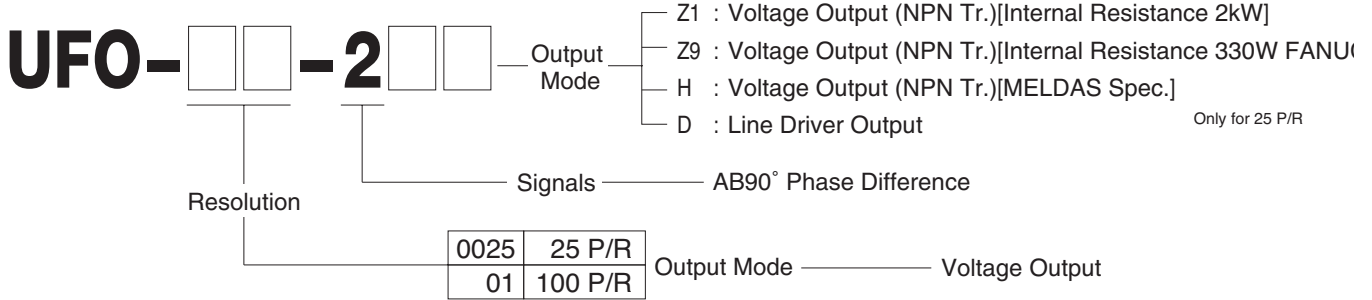
UFO_{Model}



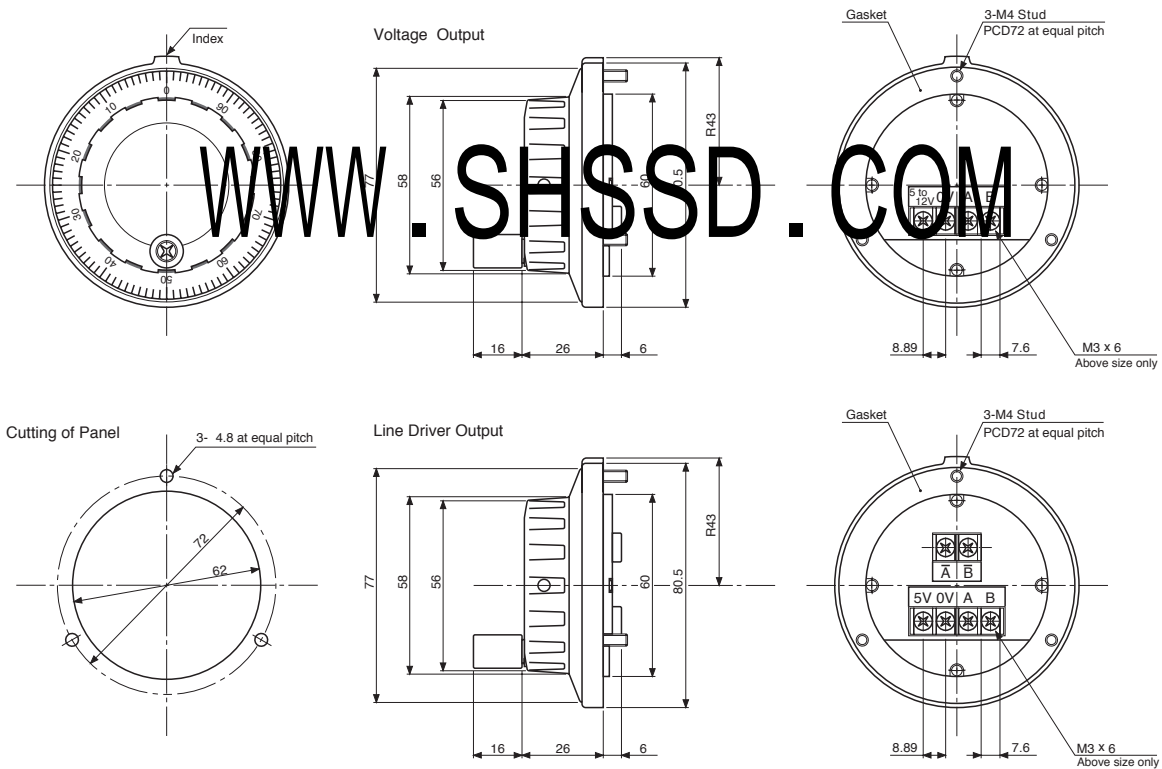
Very Thin

- Suitable for Thin Type Operator Panel.
- Click Mechanism.

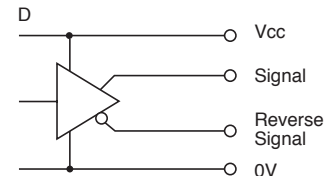
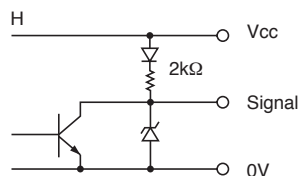
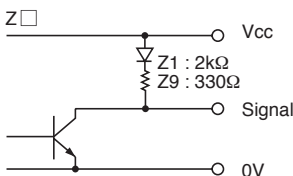
Model



External Dimension



Circuit of Output Signal



Electrical Spec.

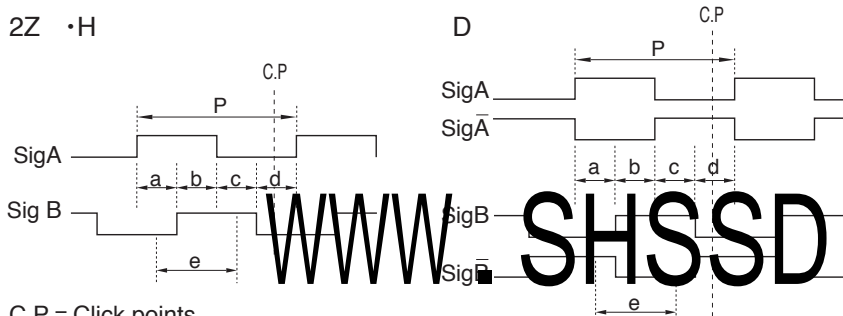
※1) at Maximum Output Current ※2) Without click mechanism

TYPE		Z1	Z9	H	D
Supply Voltage		DC+4.5V ~ +13.2V	DC+5V ± 10%	DC+12V ± 10%	DC+5V ± 5%
Requirement		50 mA Max	70 mA Max	50 mA Max	150 mA Max
Pulse Par a Revolution		100P/R • 25P/R		25P/R	100P/R • 25P/R
Output Voltage	"H"	Within -1 Power Volt		+5V ± 10%	2.5 V or More
	"L" ※1	0.5 V or Less			
Maximum Frequency Response ²		5 kHz			
Rise & Fall Time		1 μs Max		1.5 μs Max	200 ns Max
Maximum Output Current		20 mA MAX			

Wave Form.

CW Rotation Clockwise rotation looked from front side P=1/1Resolution数 a,b,c,d=P/4 ± P/6

2Z •H

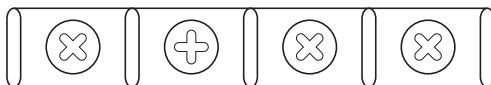


C.P = Click points

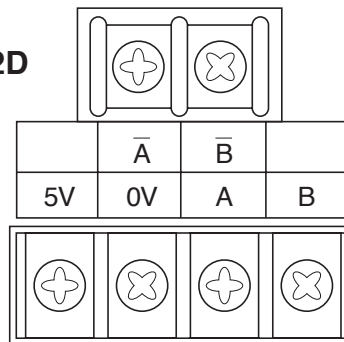
For mode 25P/R click point is at each position of a,b,c,d. Point "e" is recommended as the system switching timing.

Electrical Connections

2



2D



Mechanical Spec.

Starting Torque	1.96×10 ⁻² N·m~5.88×10 ⁻² N·m	
Shaft Loading ¹	Thrust axial	9.8N
	Radial	19.6N
Moment of Inertia	600r/min(Maximum) 200r/min(Continuous)	
Rotational Life	1 Mln.rev.min.(200r/mim)	
Net Weight	200g Max	

Environmental Spec.

Operating Temperature	- 10°C ~ +60°C
Storage Temperature	- 20°C ~ +70°C
Humidity	RH 85% Max No Condensation
Vibration	10 ~ 55 Hz / 1.5mm 2 h
Shock	490m/s ² , 11ms X, Y, Z Each 3 times
Degree of Protection	