

FEATURES

1.5v Operate

IN/OUT Temperature Measurement

Low Standby Current (typ. 2uA)

Operating Current (typ. 25uA)

Measuring Temperature Range : Indoor -20 ~ +70 degC

Outdoor -50 ~ -70 degC

Display Resolution : 0.1 degC

Accuracy : +/- 1 degC

degC /degF Switchable

MAX/MIN Temperature records

FREEZE - ALERT

Key- Tone

Temperature alert :

Ice alert range -1 degC to -4 degC.

OPERATIONS

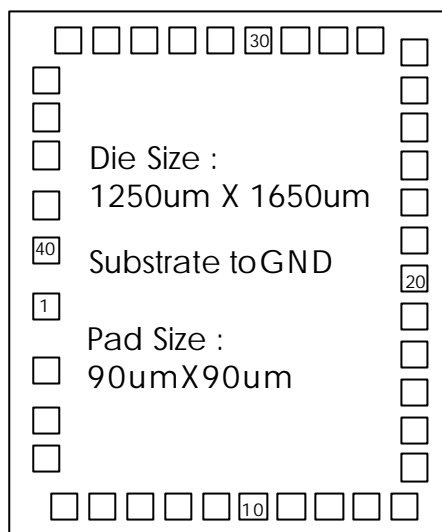
Press C/F : Toggle for DegC and DegF

Press IN:OUT : Toggle for IN or OUT Temperature Measurement.

Press Alert : Toggle for Freeze Alert On and Off ,Alert On : Buzzer on 5 seconds and off 55 seconds.
When the Outdoor Temp between -1degC and 14degC.

Press Max:Min : Display the recorded Max or Min Temperature

Holding Max:Min for 1 Second : Clear the Max and Min
Temperature to current Temp.

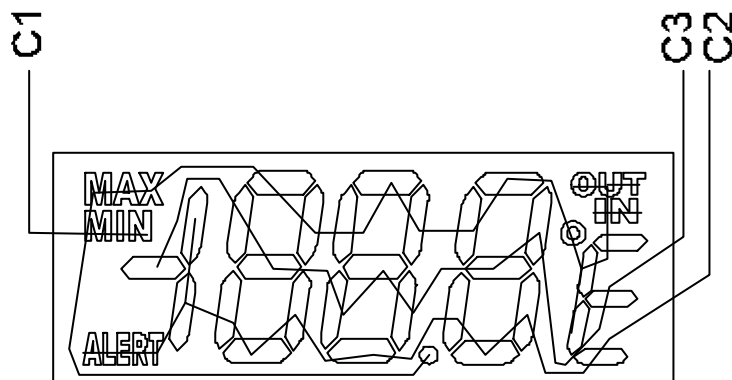
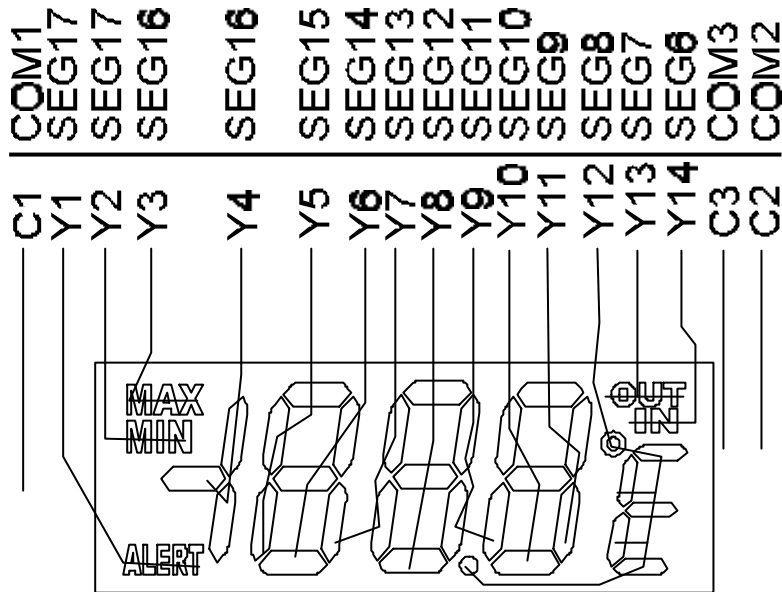


PIN ASSIGMENT

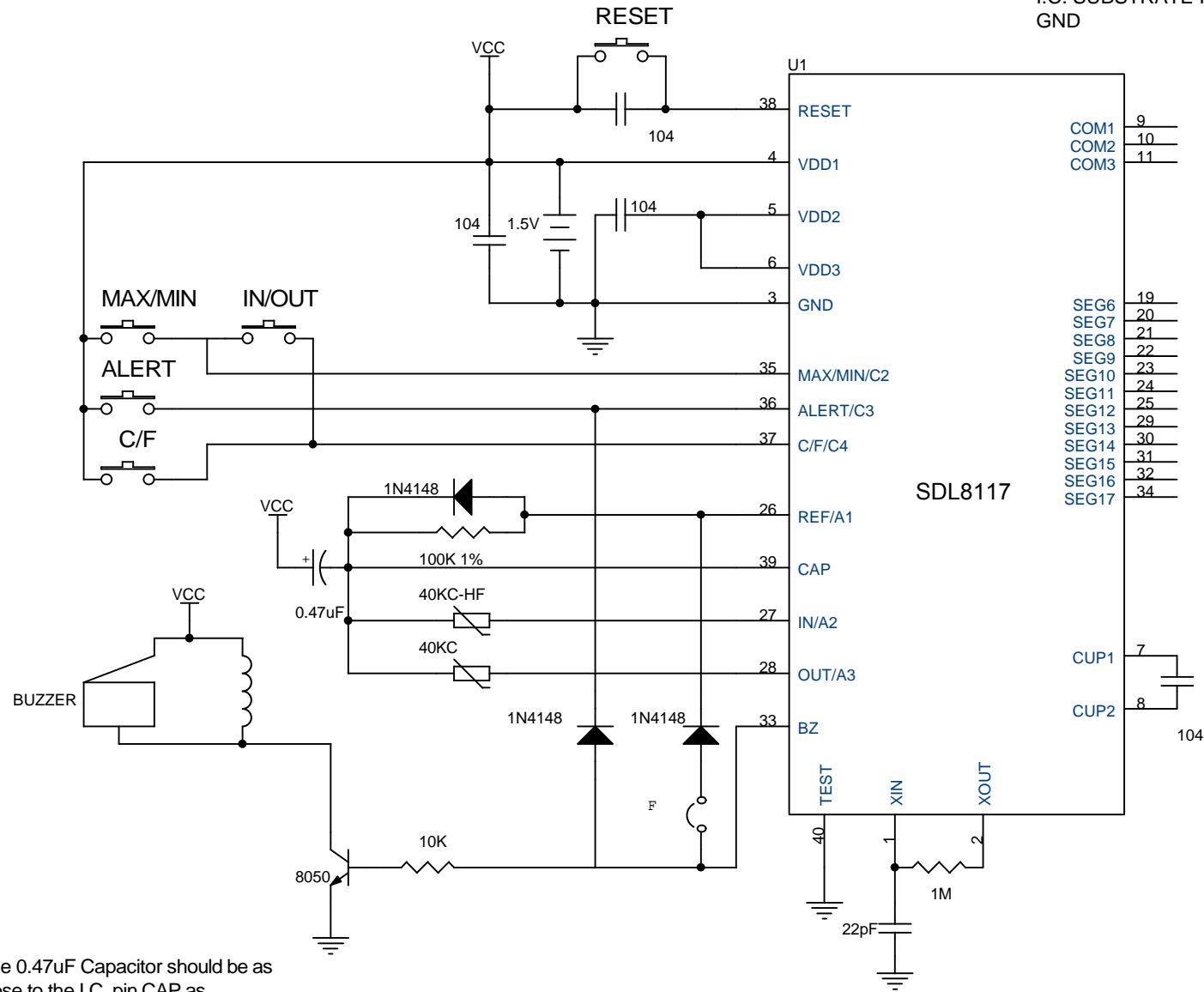
NO	NAME	X	Y	NO	NAME	X	Y
1	XIN	72.5	712.85	21	SEG8	1176.85	919.5
2	XOUT	72.5	451.35	22	SEG9	1176.85	1041.5
3	GND	75	314.05	23	SEG10	1176.85	1163.5
4	VDD1	75	199.05	24	SEG11	1176.85	1285.5
5	VDD2	94.95	72.5	25	SEG12	1176.85	1407.5
6	VDD3	209.95	72.5	26	REF	1176.85	1534.2
7	CUP1	324.95	72.5	27	IN	1056.1	1571.3
8	CUP2	439.95	72.5	28	OUT	936.1	1571.3
9	COM1	554.95	72.5	29	SEG13	816.1	1571.3
10	COM2	669.95	72.5	30	SEG14	696.1	1571.3
11	COM3	784.95	72.5	31	SEG15	576.1	1571.3
12	N.C.	899.95	72.5	32	SEG16	456.1	1571.3
13	N.C.	1014.95	72.5	33	BZ	336.1	1571.3
14	N.C.	1129.95	72.5	34	SEG17	216.1	1571.3
15	N.C.	1176.85	187.5	35	MAX/MIN	96.1	1571.3
16	N.C.	1176.85	309.5	36	ALERT	72.5	1440.65
17	N.C.	1176.85	431.5	37	C/F	72.5	1325.65
18	N.C.	1176.85	553.5	38	RESET	72.5	1188.65
19	SEG6	1176.85	675.5	39	CAP	72.5	1029.85
20	SEG7	1176.85	797.5	40	TEST	72.5	871.65

LCD CONNECTIONS

VLCD : 3V
 1/3 DUTY , 1/2 BIAS
 VIEW ANGLE : 12 O'CLOCK



I.C. SUBSTRATE IS CONNECTED TO GND



The 0.47uF Capacitor should be as close to the I.C. pin CAP as possible.

Title		DL8117	
Size	A	Rev	1.0
Date:		Sheet	1 of 1