

Feature

- SUNSTAR单片机专用电路 <http://www.icasic.com/> TEL: 0755-83387030 FAX:0755-83376182 E-MAIL:szss20@163.com
- ◆3V Lithium Battery Operation
 - ◆Clock with Month, Date, Hour, Minute, Second, Weekday
 - ◆Alarm & Hourly chime
 - ◆Sport Timer(1/100Sec)
 - ◆12H/24H cycle Selectable
 - ◆Very Low Power Dissipation
 - ◆32768 Hz crystal controlled operation
 - ◆Debounce circuit on switch input
 - ◆Protection against static discharge

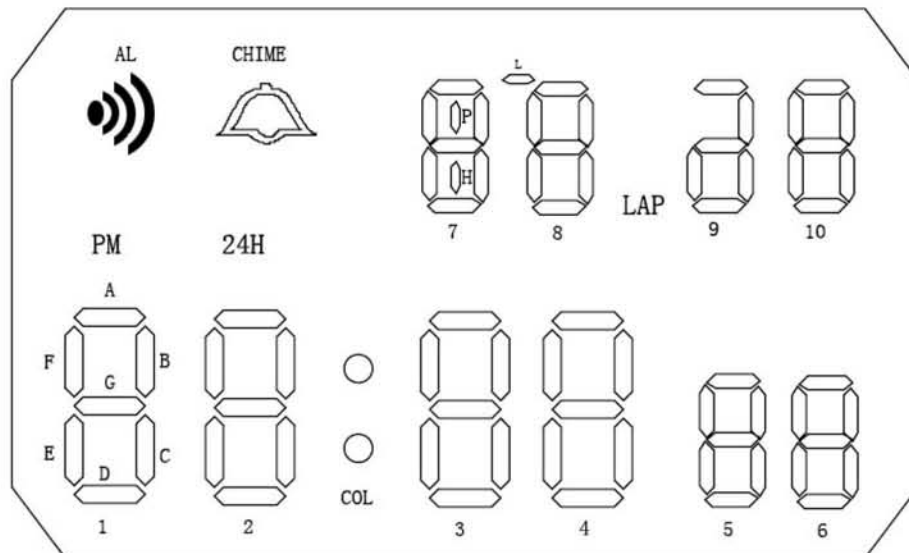
特点

- ◆3V 锂电池供电
- ◆可显示月、日、时、分、秒、星期
- ◆响闹、整点响闹功能
- ◆秒表计时
- ◆可选 12/24 小时制
- ◆低功耗
- ◆32768 Hz 晶振
- ◆开关输入防弹跳
- ◆带静电保护

ELECTRICAL CHARACTERISTICS 电特性

| Characteristics | | Sym | Min | Typ | Max | Unit | Remarks |
|---------------------------|--------|------|---------|-------|---------|------|----------|
| Operating Voltage | 工作电压 | VDD | 2.3 | 3.0 | 3.6 | V | - |
| Quiescent Current | 静态电流 | ISB | - | 1 | 2 | uA | No Load |
| Operating Current | 工作电流 | IOP | - | - | 6 | uA | - |
| Input High Voltage | 输入高电压 | VIH | VDD-0.3 | - | VDD | V | - |
| Input Low Voltage | 输入低电压 | VIL | VSS | - | VSS+0.3 | V | - |
| Switch Activation Current | 按键开关电流 | ISW | - | - | 3 | uA | VIN=VDD |
| Alarm Drive Current | 闹钟驱动电流 | IALA | 0.5 | 2 | - | mA | - |
| Oscillation Frequency | 振荡频率 | FOSC | - | 32768 | - | Hz | - |
| LCD Frequency | LCD 频率 | FLCD | - | 43 | - | Hz | - |
| Time Stability | 时间稳定度 | TSTB | - | 1 | 3 | ppm | 2.5~3.5V |

LCD 字形显示



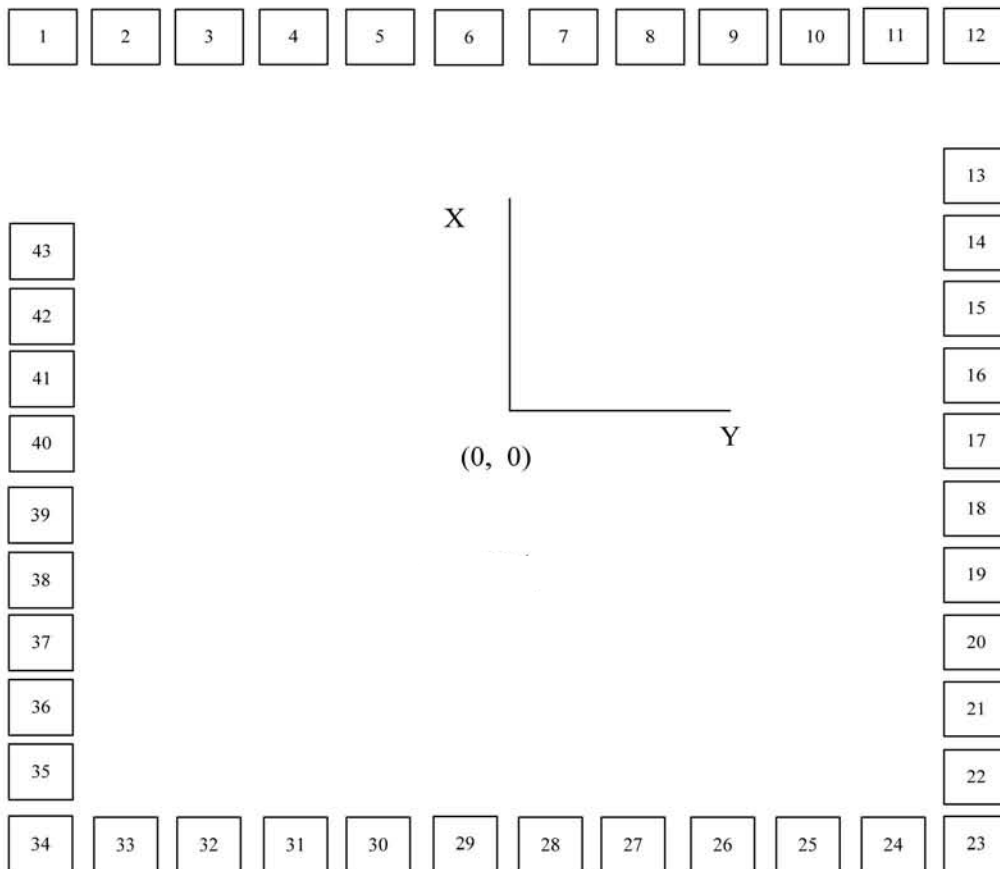
LCD 字段分配

| | COM1 | COM2 | COM3 |
|-------|------|------|------|
| SEG1 | -- | 6C | 6B |
| SEG2 | 6D | 6G | 6A |
| SEG3 | 5C | 6E | 6F |
| SEG4 | 5D | 5G | 5B |
| SEG5 | 5E | 5F | 5A |
| SEG6 | 10C | 10B | 10A |
| SEG7 | 10D | 10G | 10F |
| SEG8 | 10E | 9C | 9B |
| SEG9 | 4C | 9E | 9ADG |
| SEG10 | 4D | 4G | 4B |
| SEG11 | 4E | 4F | 4A |
| SEG12 | 3D | 3C | LAP |
| SEG13 | 3E | 3G | 3B |

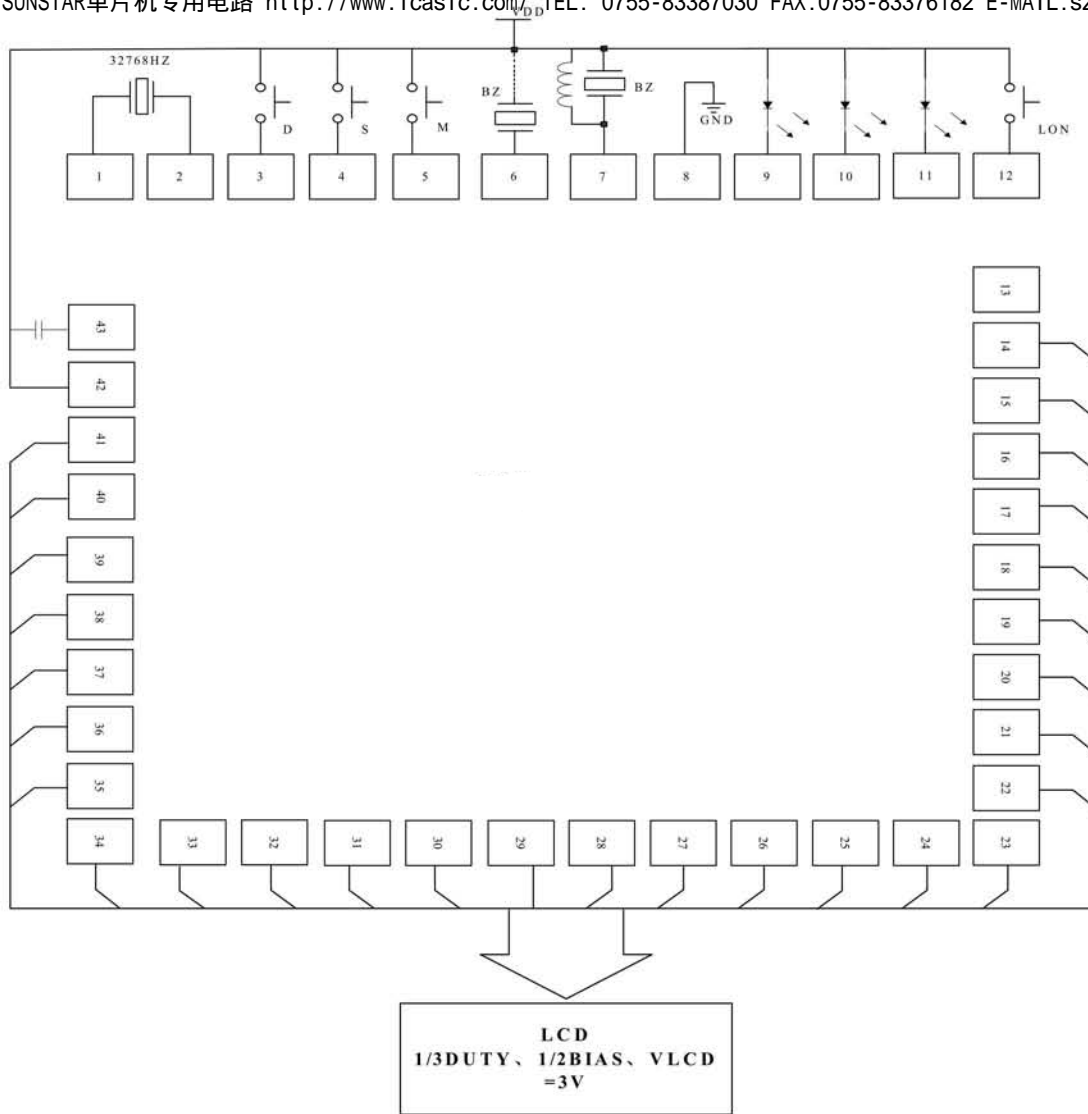
| | COM1 | COM2 | COM3 |
|-------|------|-------|------|
| SEG14 | COL | 3F | 3A |
| SEG15 | 8D | 8BC | 8A |
| SEG16 | 8G | 8EF | L |
| SEG17 | 7C | 7B | 7A |
| SEG18 | 7G | 7HP | 7F |
| SEG19 | 7D | 7E | -- |
| SEG20 | 24H | CHIME | ALM |
| SEG21 | 2B | 2A | PM |
| SEG22 | 2C | 2G | 2F |
| SEG23 | 2D | 2E | 1B |
| SEG24 | 1C | 1G | 1A |
| SEG25 | 1D | 1E | 1F |

PAD DIAGRAM

脚位图



| Pad No | Name | X | Y | Pad No | Name | X | Y |
|--------|-------|------|-------|--------|-------|------|------|
| 1 | OSCO | -665 | 719.3 | 23 | SEG16 | 665 | -722 |
| 2 | OSCI | -540 | 720 | 24 | SEG15 | 535 | -720 |
| 3 | D | -420 | 720 | 25 | SEG14 | 415 | -720 |
| 4 | S | -300 | 720 | 26 | SEG13 | 295 | -720 |
| 5 | M | -180 | 720 | 27 | SEG12 | 175 | -720 |
| 6 | ALA | -60 | 720 | 28 | SEG11 | 55 | -720 |
| 7 | ALB | 65 | 715 | 29 | SEG10 | -65 | -720 |
| 8 | GND | 192 | 720 | 30 | SEG9 | -185 | -720 |
| 9 | BL | 313 | 720 | 31 | SEG8 | -305 | -720 |
| 10 | GL | 432 | 720 | 32 | SEG7 | -425 | -720 |
| 11 | RL | 550 | 720 | 33 | SEG6 | -545 | -720 |
| 12 | LON | 670 | 720 | 34 | SEG5 | -667 | -720 |
| 13 | RESET | 665 | 462 | 35 | SEG4 | -665 | -581 |
| 14 | SEG25 | 665 | 344 | 36 | SEG3 | -665 | -461 |
| 15 | SEG24 | 665 | 226 | 37 | SEG2 | -665 | -341 |
| 16 | SEG23 | 665 | 108 | 38 | SEG1 | -665 | -222 |
| 17 | SEG22 | 665 | -10 | 39 | COM3 | -665 | -103 |
| 18 | SEG21 | 665 | -128 | 40 | COM2 | -665 | 15 |
| 19 | SEG20 | 665 | -246 | 41 | COM1 | -665 | 134 |
| 20 | SEG19 | 665 | -364 | 42 | VDD | -665 | 258 |
| 21 | SEG18 | 665 | -482 | 43 | VSS | -665 | 378 |
| 22 | SEG17 | 665 | -600 | | | | |



注:

- 1) IC 衬底接VDD。
- 2) 6脚为小声输出口，7脚为大声输出口，应用时只可选择其中一脚。

设定流程及按键操作

SUNSTAR单片机专用电路 <http://www.icasic.com/> TEL: 0755-83387030 FAX:0755-83376182 E-MAIL:szss20@163.com
CLOCK MODE

