

# SUNSTAR

# SS0622

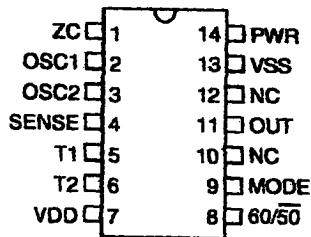
- Wide operating voltage: 8V~12V
- Provided brightness control of incandescent lamps without using mechanical switches
- Reducing the power dissipation
- Operating on 60/50 Hz line frequency
- Touch sensitive sensor input

## General Description

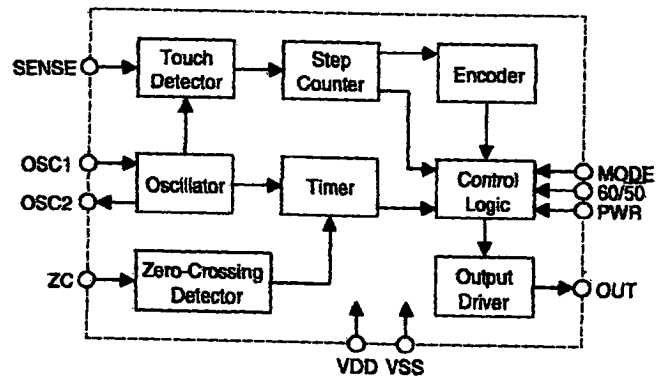
The SS0622 is a monolithic CMOS circuit designed for brightness control of incandescent lamps. The output of the SS0622 triggers a triac connected in series with the lamp. There

are four specified levels of brightness through which the output can be stepped. The stepping function may be selected to operate in one of two different modes by a MODE selector.

## Pin Assignment



## Block Diagram



## SS0622

## Pin Description

Pin No.	Pin Name	Description
1	ZC	Zero crossing input
2	OSC1	Oscillator 1
3	OSC2	Oscillator 2
4	SENSE	Touch sense input
5	T1	Touch signal detector 1
6	T2	Touch signal detector 2
7	VDD	Positive power supply
8	60/50	60/50 Hz selection
9	MODE	Mode selection
10	NC	No connection
11	OUT	Trigger output
12	NC	No connection
13	VSS	Negative power supply
14	PWR	Power on reset

## Electrical Characteristics

Symbol	Parameter	Test Condition		Min.	Typ.	Max.	Unit
		VDD	Condition				
VDD	Operation Voltage	—	—	8	10	12	V
IDD	Operation Current	10V	No load	—	0.5	1	mA
VIL	"Low" Input Voltage	10V	—	—	—	2	V
VIH	"High" Input Voltage	10V	—	8	—	—	V
RPU1	Pull-Up Resistance (60/50, MODE)	10V	V <sub>I</sub> =0V	400	600	800	KΩ
RPU2	Pull-Up Resistance (PWR)	10V	V <sub>I</sub> =0V	1	1.5	2	MΩ
IOL	Sink Current (OUT)	10V	V <sub>OUT</sub> =1V	25	80	—	mA
IOH	Source Current (OUT)	10V	V <sub>OUT</sub> =9V	-20	-60	—	μA
FCLK	Clock Frequency	10V	Rosc=68K	—	180K	—	Hz

26th Mar '97

## SS0622

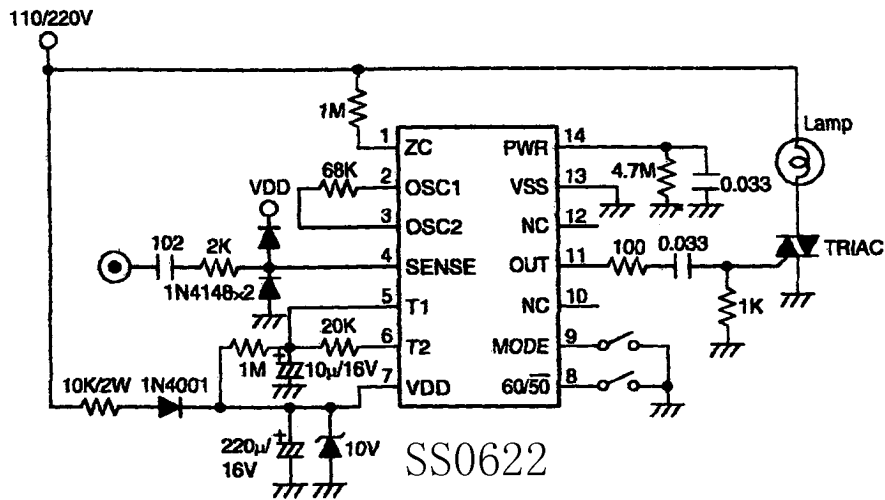
### Function Description

The operating mode of the circuit is selected by a MODE input as follows:

MODE	Brightness Sequence
VSS	Off → Low → Medium → Maximum → Medium → Low
Floating	Off → Low → Medium → Maximum

After power on, the initial state stays off. Following that, whenever the sensor plate is touched, the output jumps to the next level of brightness.

### Application Circuit



欢迎索取免费详细资料、设计选型指南和光盘、样品；产品繁多未能尽录，欢迎来电查询。

[中国传感器科技信息网：HTTP://WWW.SENSOR-IC.COM/](http://WWW.SENSOR-IC.COM/)

[工控安防网：HTTP://WWW.PC-PS.NET/](http://WWW.PC-PS.NET/)

[消费电子专用电路网：HTTP://WWW.SUNSTARE.COM/](http://WWW.SUNSTARE.COM/)

E-MAIL：[xjr5@163.com](mailto:xjr5@163.com) [szss20@163.com](mailto:szss20@163.com)

MSN：[suns8888@hotmail.com](mailto:suns8888@hotmail.com)

QQ: 195847376

地址：深圳市福田区福华路福庆街鸿图大厦 1602 室

电话：0755-83376549 83376489 83387030 83387016

传真：0755-83376182 83338339 邮编：518033 手机：(0)13902971329

深圳展销部：深圳华强北路赛格电子市场 2583 号 TEL/FAX：  
0755-83665529 25059422

北京分公司：北京海淀区知春路 132 号中发电子大厦 3097 号

TEL：010-81159046 82615020 13501189838 FAX：010-82613476

上海分公司：上海市北京东路 668 号上海赛格电子市场 2B35 号

TEL：021-28311762 56703037 13701955389 FAX：021-56703037

西安分公司：西安高新开发区 20 所(中国电子科技集团导航技术研究所)  
西安劳动南路 88 号电子商城二楼 D23 号

TEL：029-81022619 13072977981 FAX:029-88789382

成都：TEL:(0)13717066236

技术支持：0755-83394033 13501568376