

**60 dB, LOGARITHMIC  
 DETECTOR / CONTROLLER, 1 - 10000 MHz**

**Typical Applications**

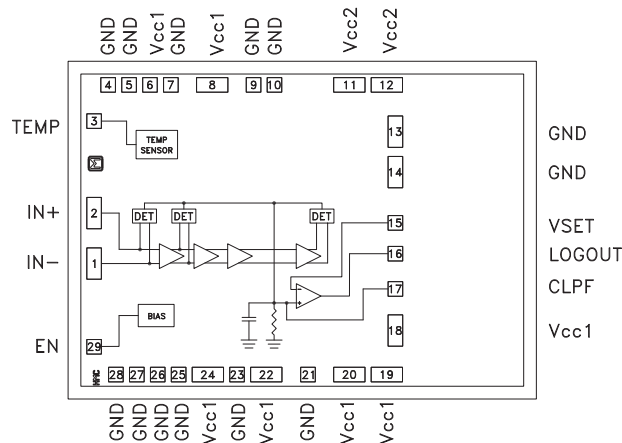
The HMC611 is ideal for:

- Cellular/PCS/3G
- WiMAX, WiBro, WLAN, Fixed Wireless & Radar
- Power Monitoring & Control Circuitry
- Receiver Signal Strength Indication (RSSI)
- Automatic Gain & Power Control

**Features**

- Wide Dynamic Range: Up to 70 dB
- High Accuracy:  $\pm 1$  dB with 51 dB Range Up to 8 GHz
- Supply Voltage: +5V
- Excellent Stability over Temperature
- Buffered Temperature Sensor Output
- Die Size: 1.75 x 1.41 x 0.25 mm

**Functional Diagram**



**General Description**

The HMC611 SiGe BiCMOS Logarithmic Detector/ Controller generates a voltage that is proportional to the log of the RF power envelop presented to its input. The HMC611 employs a successive compression topology which delivers extremely high dynamic range and conversion accuracy over a wide input frequency range. As the input power is increased, successive amplifiers move into saturation one by one creating an accurate approximation of the logarithm function. The output of a series of square law detectors is summed, converted into voltage domain and buffered to drive the LOGOUT output. For detection mode, the LOGOUT pin is shorted to the VSET input, and will provide a nominal logarithmic slope of -25 mV/dB and an intercept of 18 dBm (22 dBm for  $f \geq 5.8$  GHz). The HMC611 can also be used in the controller mode where an external voltage is applied to the VSET pin, to create an AGC or APC feedback loop.

**Electrical Specifications,  $T_A = +25C^{(1)}$ ,  $V_{cc1} = 5V$ ,  $V_{cc2} = 5v$**

Parameter	Typ.	Typ.	Typ.	Typ.	Typ.	Units
Input Frequency	1 - 3600	5800	7000	8000	10000	MHz
$\pm 3$ dB Dynamic Range	70	66	62	59	50	dB
$\pm 3$ dB Dynamic Range Center	-25	-23	-21	-20	-15	dBm
$\pm 1$ dB Dynamic Range	60	61	58	52	42	dB
Output Intercept	18	25	23	22	21	dBm
Output Slope	-25	-24	-26	-28	-32	mV/dB

[1] Detector mode measurements; LOGOUT (Pin 18) is shorted to VSET (Pin 17).

**60 dB, LOGARITHMIC  
 DETECTOR / CONTROLLER, 1 - 10000 MHz**

**Electrical Specifications, (continued)**

Parameter	Conditions	Min.	Typ.	Max.	Units
<b>LOGOUT Interface</b>					
Output Voltage Range		0		Vcc -1.0	V
Output Rise Time <sup>[3]</sup> / Fall Time <sup>[4]</sup>			10 / 10		ns
<b>VSET Interface</b>					
Input Impedance			30		kΩ
Input Voltage Range			0.25 to 1.35		V
Low Frequency Gain	VSET to LOGOUT		56		dB
Open Loop Corner Frequency <sup>[2]</sup>			700		kHz
<b>Power Down (EN) Interface</b>					
Voltage Range for Normal Mode		0.8 x Vcc <sup>[1]</sup>		Vcc <sup>[1]</sup>	V
Voltage Range for Powerdown Mode		0		0.2 x Vcc <sup>[1]</sup>	V
Threshold Voltage			Vcc <sup>[1]</sup> /2		V
<b>Power Supply (Vcc1, Vcc2)</b>					
Operating Voltage Range		4.5		5.5	V
Supply Current in Normal Mode			103	120	mA
Supply Current in Power Down Mode			1		mA

[1] Vcc = Vcc1 = Vcc2 = +5V

[2] This parameter describes the open loop gain bandwidth of the HMC611 output amplifier with no feedback from VSET to LOGOUT.

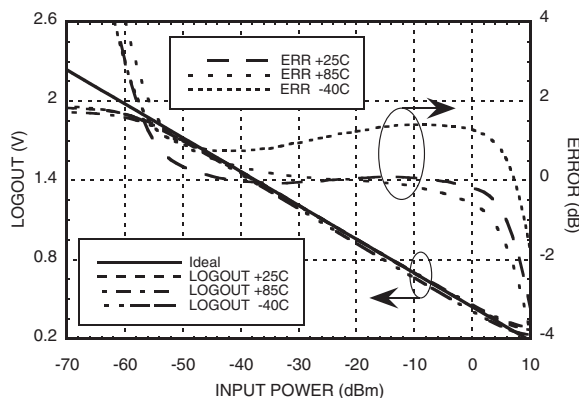
[3] -10 dBm Input Pulsed; measured from 10% to 70%; C9 removed from board

[4] -10 dBm Input Pulsed; measured from 90% to 10%; C9 removed from board

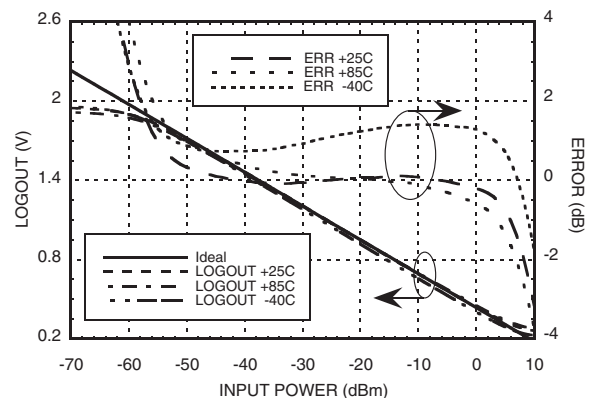
**Test Conditions**

Parameter	Condition
Vcc1 = Vcc2	+5V
Input Zo - w/ 68 Ω Term Resistor at IN+	50 Ω
T <sub>A</sub>	+25 C
Fin (CW)	900 MHz
IN- Port connected to ground through a 1000pF capacitor	

**LOGOUT Voltage & Error vs. Input Power, Fin = 50 MHz**



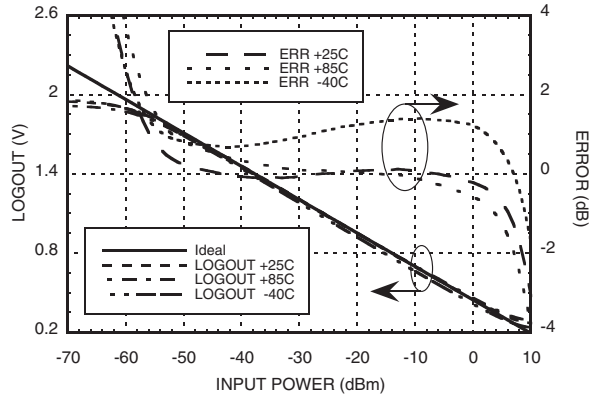
**LOGOUT Voltage & Error vs. Input Power, Fin = 100 MHz**



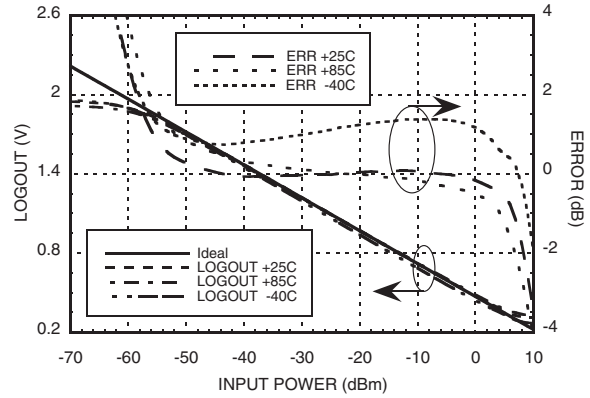
Unless otherwise noted: Vcc1, Vcc2 = +5V, T<sub>A</sub> = +25C

### 60 dB, LOGARITHMIC DETECTOR / CONTROLLER, 1 - 10000 MHz

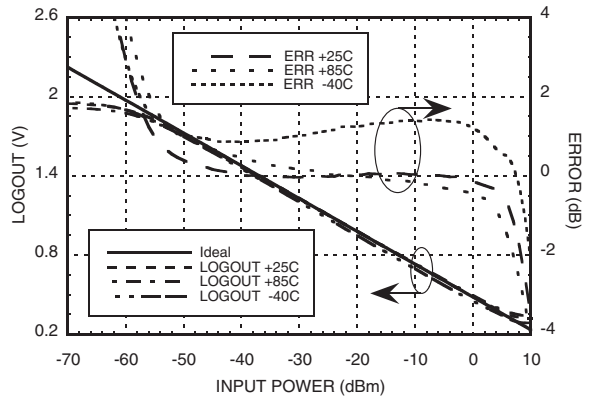
**LOGOUT Voltage & Error  
vs. Input Power,  $f_{in} = 900$  MHz**



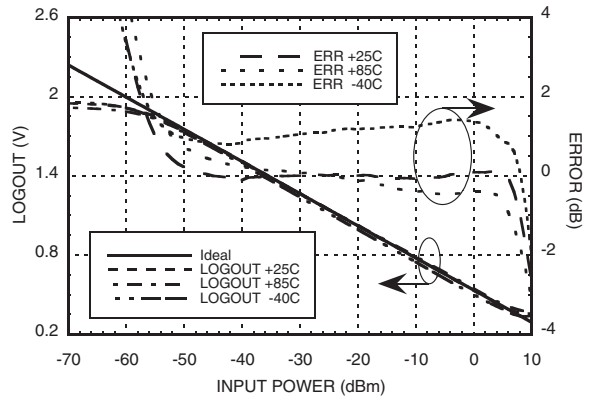
**LOGOUT Voltage & Error  
vs. Input Power,  $f_{in} = 1900$  MHz**



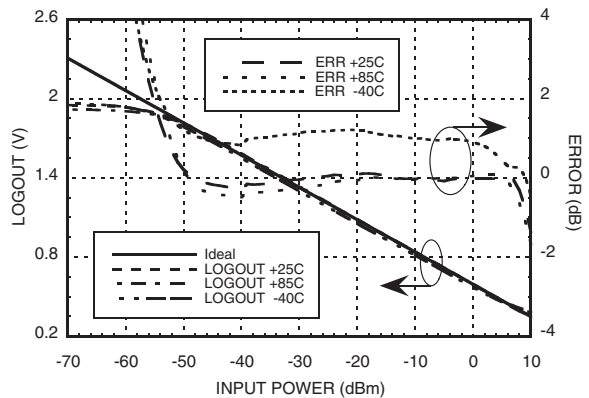
**LOGOUT Voltage & Error  
vs. Input Power,  $f_{in} = 2200$  MHz**



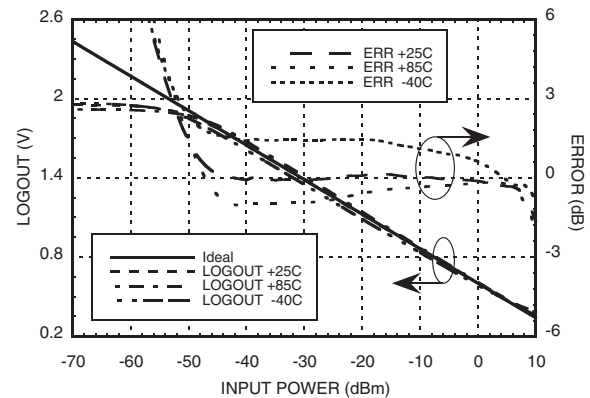
**LOGOUT Voltage & Error  
vs. Input Power,  $f_{in} = 3600$  MHz**



**LOGOUT Voltage & Error  
vs. Input Power,  $f_{in} = 5800$  MHz**



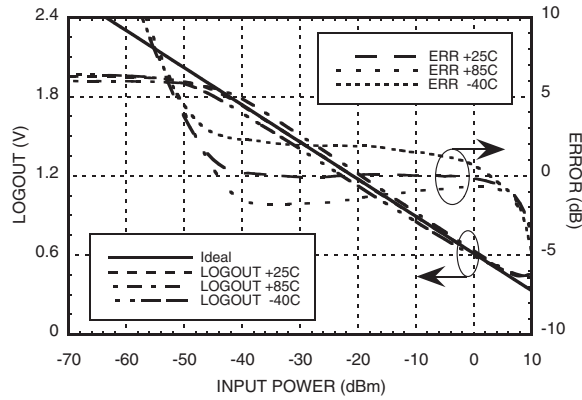
**LOGOUT Voltage & Error  
vs. Input Power,  $f_{in} = 7000$  MHz**



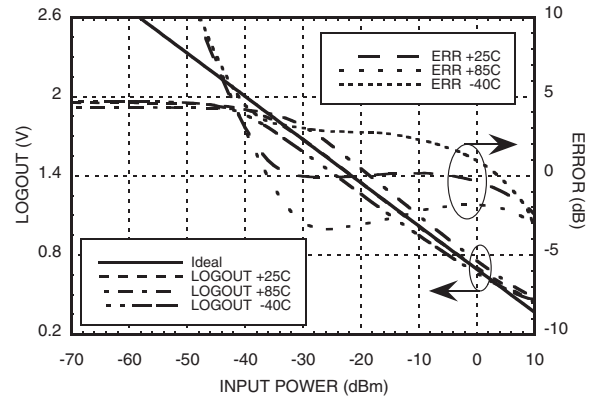
Unless otherwise noted:  $V_{cc1}, V_{cc2} = +5V, T_A = +25C$

**60 dB, LOGARITHMIC  
DETECTOR / CONTROLLER, 1 - 10000 MHz**

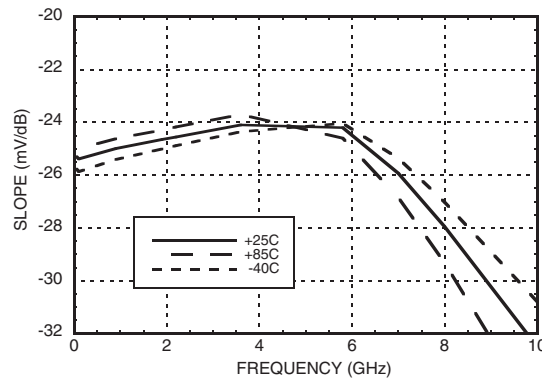
**LOGOUT Voltage & Error  
vs. Input Power,  $F_{in} = 8000$  MHz**



**LOGOUT Voltage & Error  
vs. Input Power,  $F_{in} = 10000$  MHz**



**LOGOUT Slope vs. Frequency**

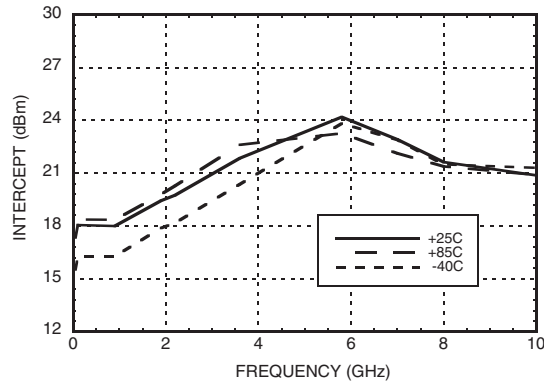


Unless otherwise noted:  $V_{cc1}, V_{cc2} = +5V, T_A = +25C$

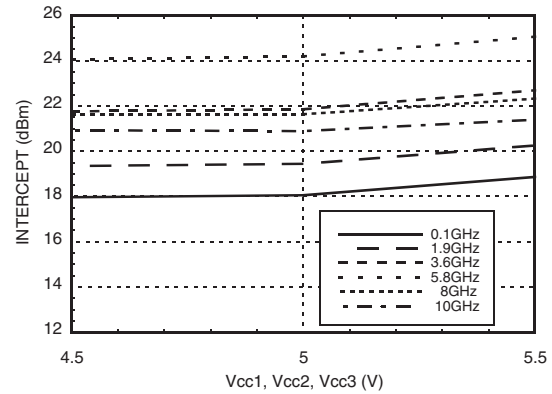
For price, delivery, and to place orders, please contact Hittite Microwave Corporation:  
 SUNSTAR 射频通信 <http://www.hittite.com> / [www.rfocoe.net/](http://www.rfocoe.net/) TEL:0755-83396822 FAX:0755-83376182 E-MAIL: szss20@163.com  
 Order On-line at [www.hittite.com](http://www.hittite.com)

**60 dB, LOGARITHMIC  
DETECTOR / CONTROLLER, 1 - 10000 MHz**

**LOGOUT Intercept vs. Frequency**



**LOGOUT Intercept vs. Supply Voltage**



**Absolute Maximum Ratings**

Vcc1, Vcc2	+5.6V
EN	+5.6V
VSET Input Voltage	+5.6V
LOGOUT Output Current	3 mA
RF Input Power	+15 dBm
Junction Temperature	125 °C
Continuous Pdiss (T = 85°C) (Derate 21.6 mW/°C above 85°C)	0.86 Watts
Thermal Resistance (R <sub>th</sub> ) (junction to die bottom)	46.6 °C/W
Storage Temperature	-65 to +150 °C
Operating Temperature	-40 to +85 °C

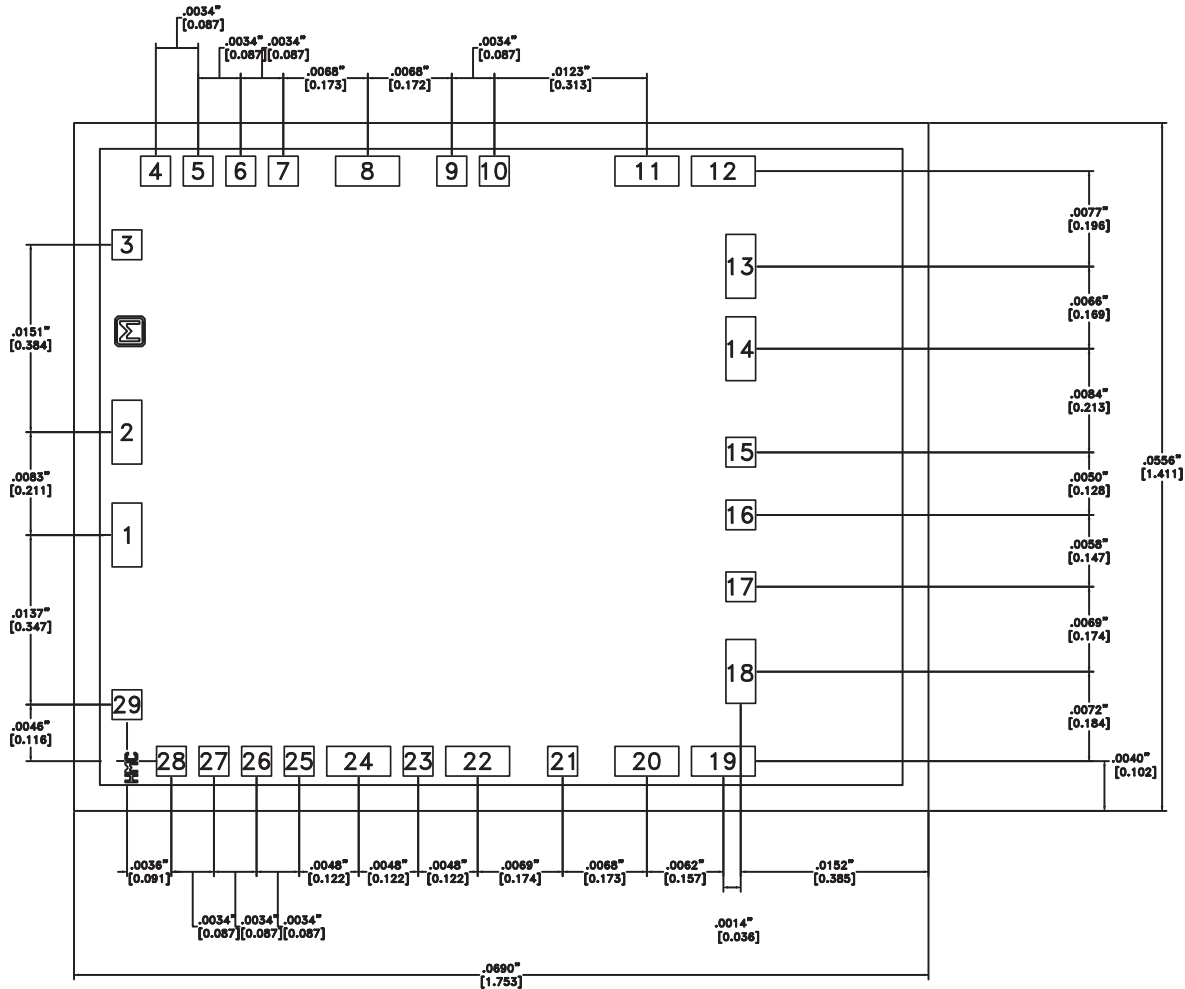


**ELECTROSTATIC SENSITIVE DEVICE  
OBSERVE HANDLING PRECAUTIONS**

[1] Unless otherwise noted: Vcc1, Vcc2 = +5V, T<sub>A</sub> = +25C

**60 dB, LOGARITHMIC  
DETECTOR / CONTROLLER, 1 - 10000 MHz**

**Outline Drawing**



**Die Packaging Information [1]**

Standard	Alternate
WP-3	[2]

[1] Refer to the "Packaging Information" section for die packaging dimensions.

[2] For alternate packaging information contact Hittite Microwave Corporation.

NOTES:

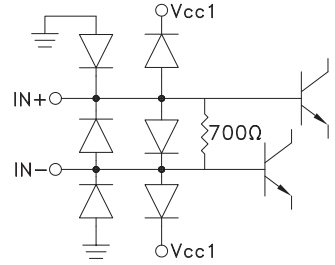
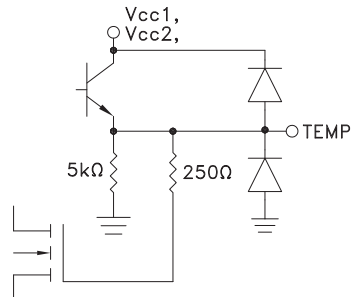
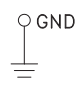
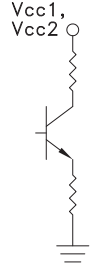
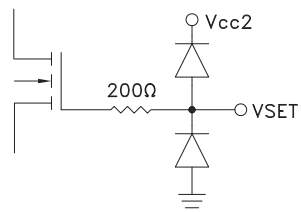
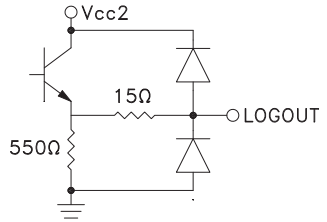
1. ALL DIMENSIONS IN INCHES [MILLIMETERS]
2. DIE THICKNESS IS 0.010 [0.25]
3. TYPICAL BOND PAD IS 0.0024 SQUARE
4. BOND PAD METALLIZATION: ALUMINUM
5. NO BACKSIDE METAL
6. NO CONNECTION REQUIRED FOR UNLABELED BOND PADS
7. OVERALL DIE SIZE IS ±.002

**Die Pad Dimensions**

Pads	Pad Size
1, 2, 8, 11 - 14, 18 - 20, 22, 24	0.0024 [0.061] x 0.0052 [0.131]
3 - 7, 9, 10, 15 - 17, 21, 23, 25 - 29	0.0024 [0.061] x 0.0024 [0.061]

**60 dB, LOGARITHMIC  
DETECTOR / CONTROLLER, 1 - 10000 MHz**

**Pad Descriptions**

Pad Number	Function	Description	Interface Schematic
1, 2	IN-, IN+	RF Input pads. Connect RF to IN+, and AC couple IN- to ground for single-ended operation.	
3	TEMP	Temperature sensor output pin	
4, 5, 7, 9, 10, 13, 14, 21, 23, 25 - 28 Die Bottom	GND	Die bottom must be connected to RF and DC ground.	
6, 8, 18 - 20, 22, 24 11, 12	Vcc1 Vcc2	Bias supply. Connect supply voltage to these pins with appropriate filtering.	
15	VSET	VSET input in controller mode. Short this pin to LOGOUT for detector mode.	
16	LOGOUT	Logarithmic output that converts the input power to a DC level in detector mode. Short this pin to VSET for detector mode.	

For price, delivery, and to place orders, please contact Hittite Microwave Corporation:

SUNSTAR 微波光电 <http://www.hittite.com> / TEL:0755-83396822 FAX:0755-83376182 E-MAIL: szss20@163.com

Order On-line at [www.hittite.com](http://www.hittite.com)

**60 dB, LOGARITHMIC  
 DETECTOR / CONTROLLER, 1 - 10000 MHz**

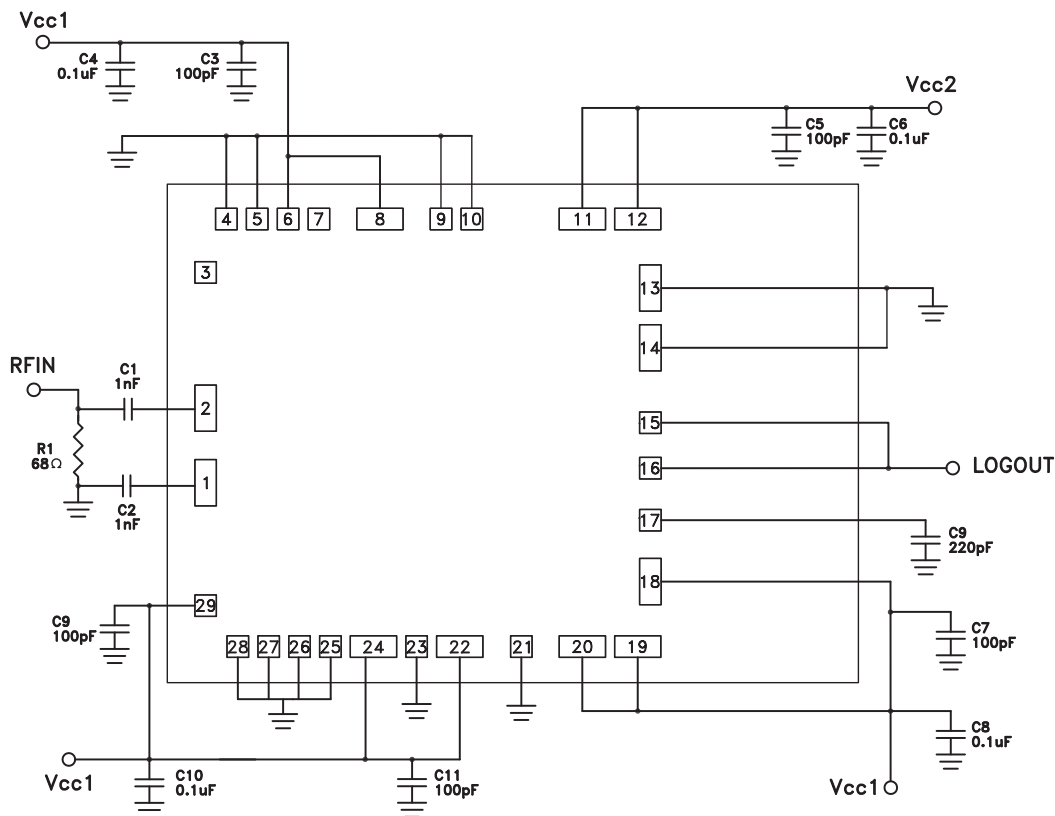
**Pad Descriptions (Continued)**

Pad Number	Function	Description	Interface Schematic
17	CLPF	Loop filter capacitor for output ripple filtering.	
29	EN	Enable pad, connect to Vcc1 or Vcc2 for normal operation. Applying voltage $<0.2 \times (V_{cc1}, V_{cc2})$ will initiate power saving mode.	



## 60 dB, LOGARITHMIC DETECTOR / CONTROLLER, 1 - 10000 MHz

### Application Circuit

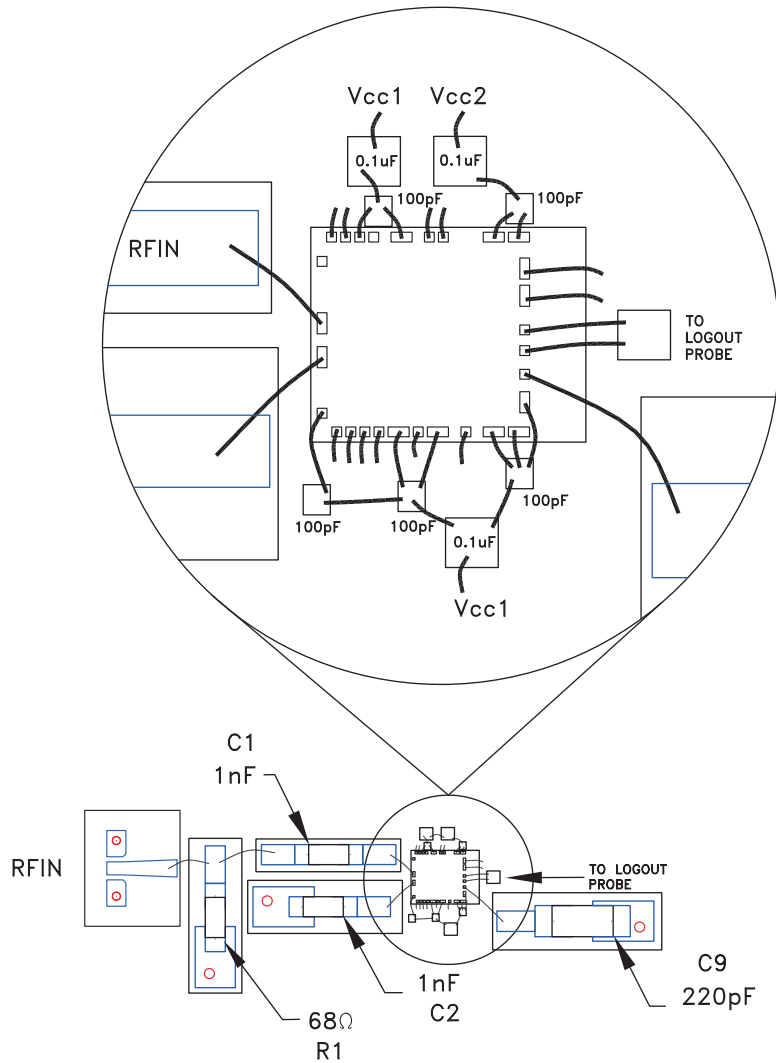


Note 1: For detector mode, connect high impedance volt meter to the LOGOUT port. LOGOUT is shorted to VSET, as required for detector mode.

Note 2: For controller mode, remove short between LOGOUT and VSET. In controller mode, the LOGOUT output can be used to drive a variable gain amplifier, or a variable attenuator, either directly or through a buffer or microcontroller. VSET should be connected to an external control voltage, typically between +0.6 and +1.9V.

**60 dB, LOGARITHMIC  
DETECTOR / CONTROLLER, 1 - 10000 MHz**

**Assembly Diagram**



**60 dB, LOGARITHMIC  
DETECTOR / CONTROLLER, 1 - 10000 MHz**

**Mounting & Bonding Techniques for MMICs**

The die should be attached directly to the ground plane with epoxy (see HMC general Handling, Mounting , Bonding Note).

50 Ohm Microstrip transmission lines on 0.254mm (10 mil) thick alumina thin film substrates are recommended for bringing RF to and from the chip (Figure 1).

Microstrip substrates should be placed as close to the die as possible in order to minimize bond wire length. Typical die-to-substrate spacing is 0.076mm to 0.152 mm (3 to 6 mils).

**Handling Precautions**

*Follow these precautions to avoid permanent damage.*

**Storage:** All bare die are placed in either Waffle or Gel based ESD protective containers, and then sealed in an ESD protective bag for shipment. Once the sealed ESD protective bag has been opened, all die should be stored in a dry nitrogen environment.

**Cleanliness:** Handle the chips in a clean environment. DO NOT attempt to clean the chip using liquid cleaning systems.

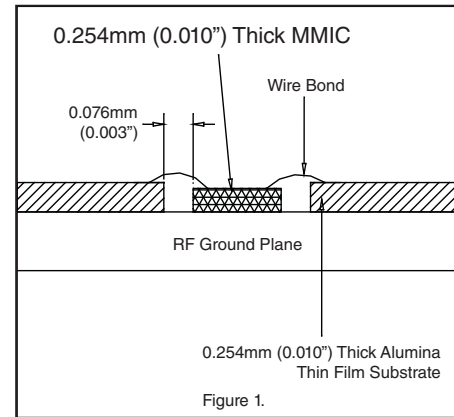
**Static Sensitivity:** Follow ESD precautions to protect against ESD strikes.

**Transients:** Suppress instrument and bias supply transients while bias is applied. Use shielded signal and bias cables to minimize inductive pick-up.

**General Handling:** The chip may be handled by a vacuum collet or with a sharp pair of tweezers.

**Mounting**

**Epoxy Die Attach:** Apply a minimum amount of epoxy to the mounting surface so that a thin epoxy fillet is observed around the perimeter of the chip once it is placed into position. Cure epoxy per the manufacturer's schedule.



**60 dB, LOGARITHMIC  
DETECTOR / CONTROLLER, 1 - 10000 MHz**

**Notes:**