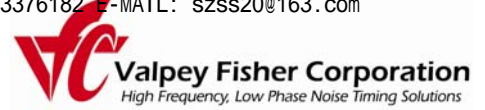


VF720**TCXO with Voltage Control****9.6x11.4mm SMD****Clipped Sine Wave****Features**

- Frequency range of 10MHz to 40MHz
- Excellent Frequency Stability
- Low Phase noise
- Low power consumption

**RoHS Status**RoHS
6/6**Applications**

- Portable equipment
- Telecommunications
- Data acquisition

Parameter	Symbol	Condition	Min	Typ	Max	Unit	Note
Frequency Range	F		10		40	MHz	
Frequency Stability	$\Delta F/F$	Vs. Operating Temperature			2.5	ppm	
		Vs. Supply Voltage Vs. Aging / Year		± 0.3 ± 1		ppm/V ppm	
Operating Temperature Range	T		-30°		+75°	°C	
Output Voltage		Clipped Sine	0.8Vp-p minimum				
Output Load			10K Ω //10pF				
Phase Noise		10Hz offset			-93	dBc/Hz	For 10MHz oscillator @ 25°C
		100Hz offset			-125		
		1KHz offset			-140		
		10KHz offset			-145		
		100KHz offset			-145		
Supply Current	I _{cc}				2.0	mA	
Supply Voltage	V _{cc}		4.75 3.14	5.00 3.3	5.25 3.46	V	Std Order Code L
Voltage Control	V _c		0.5 0.3	2.5 1.65	4.5 3.0	V	5.0V 3.3V
Frequency Adjustment		Electrical Freq. Control	± 5		± 10	ppm	
		Mechanical Trimmer	± 3			ppm	
Deviation slope		Monotonic positive					
Mechanical Shock		Per MIL-STD-202, Method 213, Cond. E					
Thermal Shock		Per MIL-STD-883, Method 1011, Cond. A					
Vibration		Per MIL-STD-883, Method 2007, Cond. A					
Soldering Conditions		260C for 10s max; 230C for 90s max					
Storage Temperature		-40°C to +85°C					

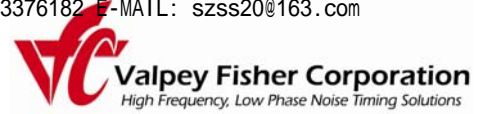


VF720

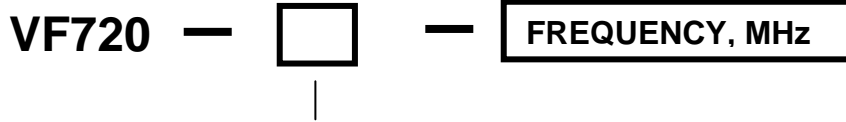
TCXO with Voltage Control

9.6x11.4mm SMD

Clipped Sine Wave



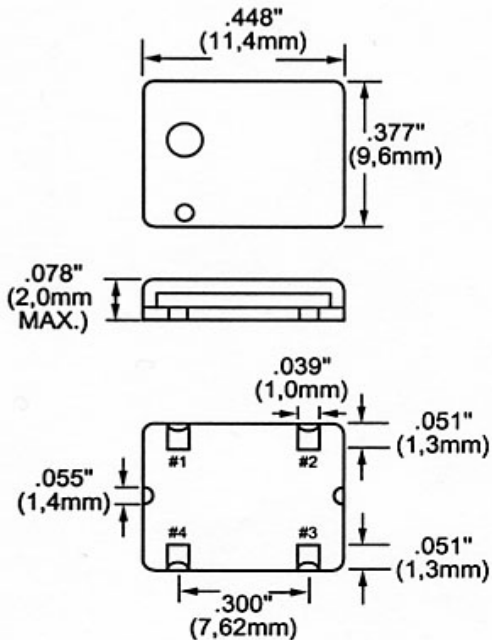
How to Order



Supply Voltage

Code	Specification
L	3.3V
	5.0V

VF720



PIN	Specification
1	Vc
2	GND
3	Output
4	Vcc

