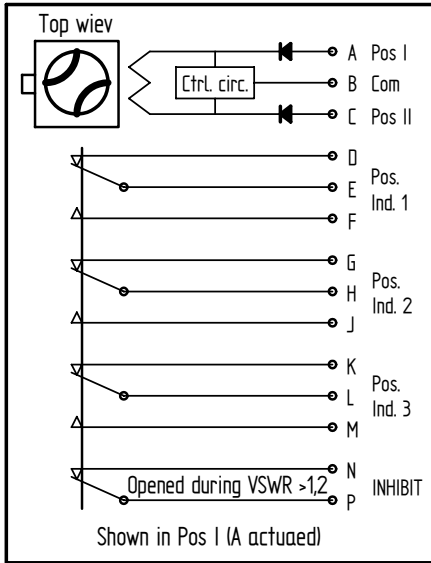
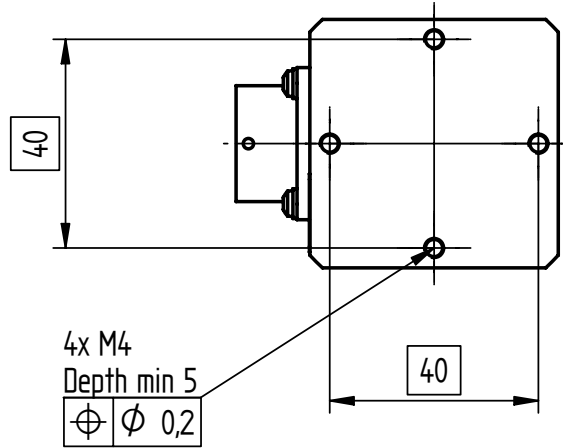
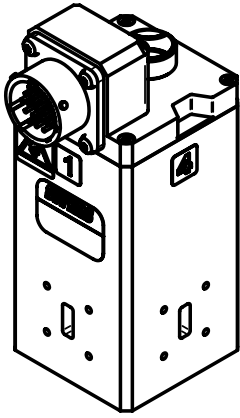
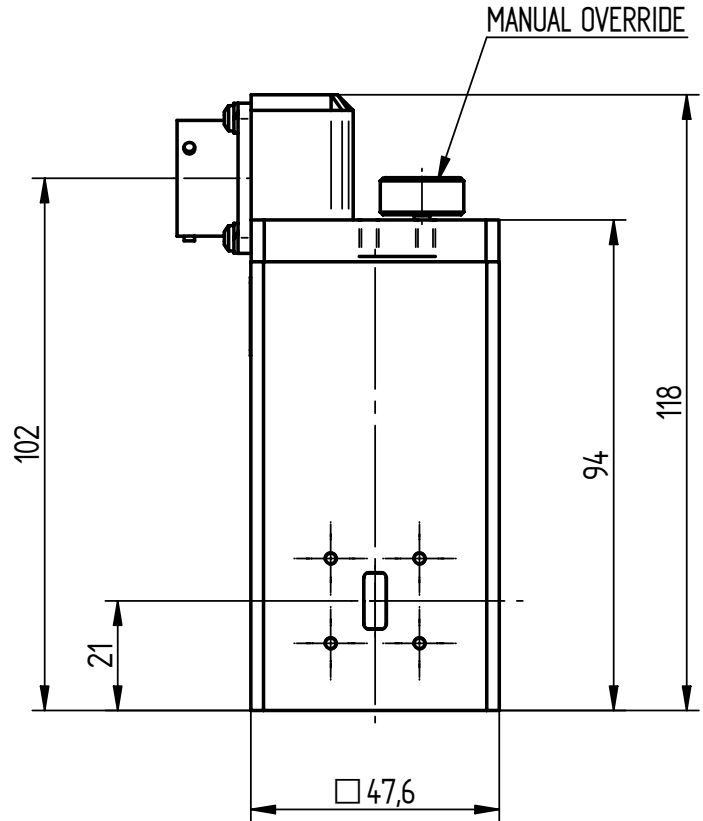


CAD-dokument
Får ej revideras manuellt

Issue	Modification	Date	Sign.	Chkd.
B	Tapped holes changed to 4-40 UNC-2B	030311	CEL	HW
C	ECO	2003-1015	HNg	HW



CAUTION!
ESD SENSITIVE



This document is our property and shall not without our written permission be altered, copied or communicated to a third party.

© SIVERS LAB AB

Drawing principle	SS 1902	UNLESS OTHERWISE STATED THE FOLLOWING APPLIES: General tolerances, linear and angular dimensions: ISO 2768-c - Europ. proj.	Ref.	020305	Sign.	CEL
Tolerancing principle	ISO 8015		Chkd.		Sign.	HW
Dimensions in mm			Appvd.		Sign.	HW
SIVERS	Title		Designed	Sheet 1(2)		
	WAVEGUIDE SWITCH WR42/R220/WG20 Latching		Scale	1:1	Issue []	
			Doc. no	WS 8189K/00		