

SUNSTAR 商斯达实业集团是集研发、生产、工程、销售、代理经销、技术咨询、信息服务等为一体的高科技企业，是专业高科技电子产品生产厂家，是具有10多年历史的专业电子元器件供应商，是中国最早和最大的仓储式连锁规模经营大型综合电子零部件代理分销商之一，是一家专业代理和分销世界各大品牌IC芯片和电子元器件的连锁经营综合性国际公司，专业经营进口、国产名厂名牌电子元件，型号、种类齐全。在香港、北京、深圳、上海、西安、成都等全国主要电子市场设有直属分公司和产品展示展销窗口门市部专卖店及代理分销商，已在全国范围内建成强大统一的供货和代理分销网络。我们专业代理经销、开发生产电子元器件、集成电路、传感器、微波光电元器件、工控机/DOC/DOM电子盘、专用电路、单片机开发、MCU/DSP/ARM/FPGA软件硬件、二极管、三极管、模块等，是您可靠的一站式现货配套供应商、方案提供商、部件功能模块开发配套商。商斯达实业公司拥有庞大的资料库，有数位毕业于著名高校——有中国电子工业摇篮之称的西安电子科技大学（西军电）并长期从事国防尖端科技研究的高级工程师为您精挑细选、量身订做各种高科技电子元器件，并解决各种技术问题。

微波光电部专业研制、代理经销高频、微波、光纤、光电元器件、组件、部件、模块、整机；电磁兼容元器件、材料、设备；微波CAD、EDA软件、开发测试仿真工具；微波、光纤仪器仪表。欢迎国外高科技微波、光纤厂商将优秀产品介绍到中国、共同开拓市场。长期大量现货专业批发高频、微波、卫星、光纤、电视、CATV器件：晶振、VCO、连接器、PIN开关、变容二极管、开关二极管、低噪晶体管、功率电阻及电容、放大器、功率管、MMIC、混频器、耦合器、功分器、振荡器、合成器、衰减器、滤波器、隔离器、环行器、移相器、调制解调器；光电子元件和组件：红外发射管、红外接收管、光电开关、光敏管、发光二极管和发光二极管组件、半导体激光二极管和激光器组件、光电探测器和光接收组件、光发射接收模块、光纤激光器和光放大器、光调制器、光开关、DWDM用光发射和接收器件、用户接入系统光收发器件与模块、光纤连接器、光纤跳线/尾纤、光衰减器、光纤适配器、光隔离器、光耦合器、光环行器、光复用器/转换器；无线收发芯片和模组、蓝牙芯片和模组。

更多产品请看本公司产品专用销售网站：[欢迎索取免费详细资料、设计指南和光盘](#)；产品凡多，未能尽录，欢迎来电查询

商斯达中国传感器科技信息网：<http://www.sensor-ic.com/>

商斯达工控安防网：<http://www.pc-ps.net/>

商斯达电子元器件网：<http://www.sunstare.com/>

商斯达微波光电产品网：[HTTP://www.rfoe.net/](http://www.rfoe.net/)

商斯达消费电子产品网：<http://www.icasic.com/>

商斯达实业科技产品网：<http://www.sunstars.cn/> 微波元器件销售热线：

地址：深圳市福田区福华路福庆街鸿图大厦1602室

电话：0755-82884100 83397033 83396822 83398585

传真：0755-83376182 (0) 13823648918 MSN: SUNS8888@hotmail.com

邮编：518033 E-mail:szss20@163.com QQ: 195847376

技术支持: 0755-83394033 13501568376

RF communication in a multi-user environment

1. GENERAL

Since more and more systems are using RF communication, and most of them are operating in an ISM (Industrial, Scientific, Medical) band the need for a way to harmonize the coexistence of systems using the same frequency resources, are urgent. In this white paper we will discuss different techniques for dealing with the problems caused by RF traffic from other systems than our own.

2. TECHNIQUES FOR HANDLING DISTURBING TRAFFIC

There are different ways on how a system based on a combination of TDMA (Time Division Multiple Access) and FDMA (Frequency Division Multiple Access) uses the time and frequency domain. Most of the systems have a “bursty” use of the time domain, meaning that they transmit in short bursts and keep quiet in between each burst. For the use of the frequency domain there are in major three different ways a system can operate:

- Fixed single channel (Low complexity)
- Dynamic channel assigning (Medium complexity)
- Frequency hopping (High complexity)

A fixed single channel system is typically a system where the units do not have the possibility to negotiate which channel they shall use or distribute a common system clock. Normally this will be a system with a transmitter in one end and a receiver in the other. Such a system will be able to use different channels, but the channel for operation will be selected once at start-up. An example of such a system is a wireless mouse.

Dynamic channel assignment is a method where all units involved must have a transceiver. This enables the possibility for the receiving unit to acknowledge all received packets, which will make the transmitting unit able to detect packet loss and initiate a re-transmission of the lost packet. It will also make the system able to calculate the packet loss ratio (PLR.) And the system can be made so that the units change traffic channel if the PLR reaches a given threshold. The channel change plan can be implemented as a table or as a “go N up/down” algorithm. The most important part of a channel change is that both units actually change channel. Since it is the transmitting unit that will be able to detect the PLR it will also be the part responsible of initiating the channel change. This is done by sending a “change channel to X” (X represent the new channel) packet to the receiver. The receiver will acknowledge and change to the predefined channel. The receiver will wait on that channel for a few milliseconds for the transmitter to arrive. If the receiver does not receive anything from the transmitter it will go back to the previous channel assuming that the



transmitter did not get the acknowledgement. The receiving unit will stay on this channel until it hears from the transmitter again.

The transmitter will wait until it receives the acknowledgement for the “change channel to X” packet. If it does not receive the acknowledgement it will re-send the “change channel to X” packet until it reaches an acknowledgement or times out. When the acknowledgement is received, it will change channel and send a “report-in” packet to the receiver on the new channel. If the receiver does not answer in a certain number of tries, this channel is probably busy also so it has to go back to the previous channel and negotiate with the receiver again. If the receiver answers the “report-in” packet, communication will go as normal on the new channel. A flow chart of this operation is shown in Figure 1.

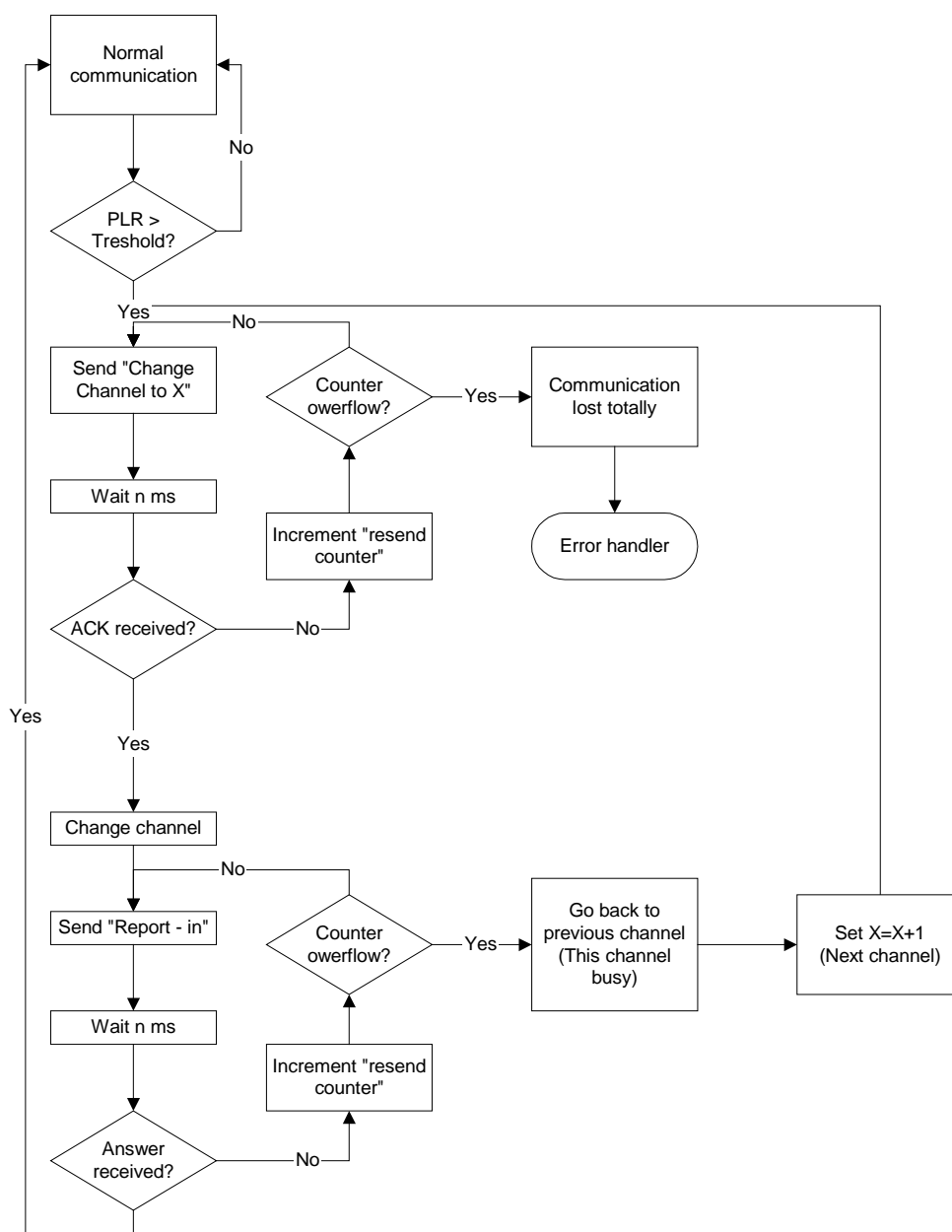


Figure 1 Flow chart for the dynamic channel change protocol for the transmitter



Frequency hopping is a very safe way to avoid communication failure due to total jamming of a traffic channel. The units in a frequency hopping system change channels after a predefined channel table and in a time synchronous manner. Generating a global clock based on each units distributed clock gives a reference for the time synchronization. This requires massive “system control” traffic on air. A slower frequency hopping can be made without a global clock as a reference. This will look much the same as dynamic channel assignment, but instead of waiting for a PLR higher than a threshold, a channel change will be initiated each time a packet is transmitted. A frequency hopping protocol must also run a flow control like acknowledgement to ensure that all the information gets trough. Frequency hopping is most used by systems operating with so high output power that the frequency regulation demands the use of it.

3. DYNAMIC CHANNEL ASSIGNMENT EXAMPLE

To highlight the functionality of the dynamic channel assignment method an example of a system using it will be described.

A gaming control system has the possibility of handling N game controllers at the same time. Each game controller are interfaced with the control system trough a wireless 2.4GHz link, meaning that each game controller has its own receiver. To begin with our system has three game controllers operating at three different channels as shown in Figure 2.

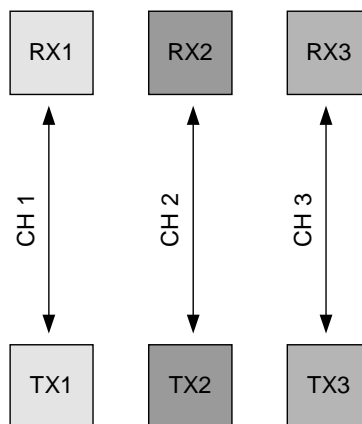


Figure 2 Three game controllers operating at different channels

After a time of operation a fourth competitor wants to join the game. He will then connect his game controller to a available port in the game control system and switch on his equipment. The last time he used it, his game controller where using CH2. By default the game controller want to use the same channel as before. Then we have the situation as shown in Figure 3.

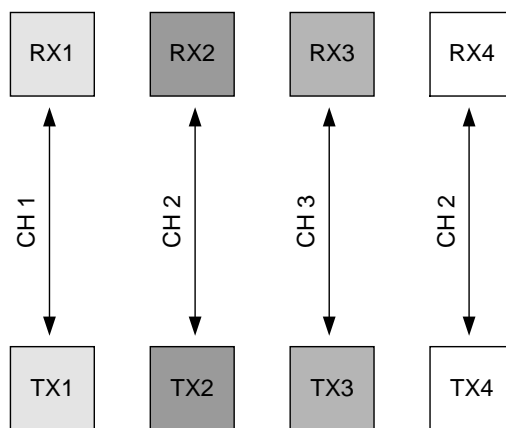


Figure 3 An intruding party uses CH2

When the TX4/RX4 pair starts to communicate, the TX2/RX2 pair will register an increase in the PLR. The TX4/RX4 pair should also register a high PLR. The pair that first gets a PLR higher than the threshold will start to change the channel. It should be implemented so that when a pair start up on a channel, the threshold should be low and get increasingly higher the longer it stays on the channel. This will cause the intruder pair to change channel first. Finally after the dynamic channel assignment protocol has been working, the result will be as shown in Figure 4.

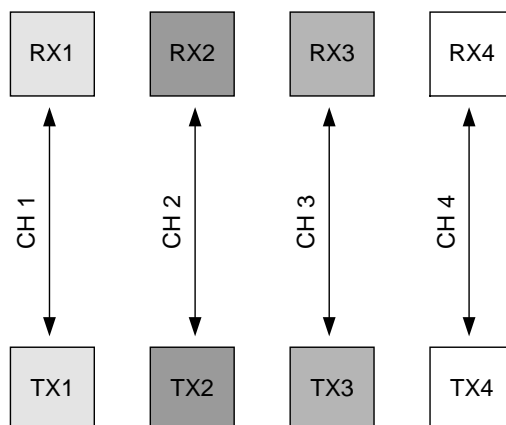


Figure 4 The result after dynamic channel assignment

4. CONCLUSION

For the three methods described in this white paper, the dynamic channel assignment method is the one that gives most protection vs. implementation complexity. It will cover the need for most of the applications using multi channels in the ISM bands. Fixed single channel will work fine for applications like a wireless mouse because every data packet is not crucial for the functionality. Frequency hopping will be very complex to implement and be overkill for those applications that can operate on a single channel until a disturbing source arrives.



LIABILITY DISCLAIMER

Nordic VLSI ASA reserves the right to make changes without further notice to the product to improve reliability, function or design. Nordic VLSI does not assume any liability arising out of the application or use of any product or circuits described herein.

LIFE SUPPORT APPLICATIONS

These products are not designed for use in life support appliances, devices, or systems where malfunction of these products can reasonably be expected to result in personal injury. Nordic VLSI ASA customers using or selling these products for use in such applications do so at their own risk and agree to fully indemnify Nordic VLSI ASA for any damages resulting from such improper use or sale.

White paper. Revision Date : 26.05.2003.

All rights reserved ®. Reproduction in whole or in part is prohibited without the prior written permission of the copyright holder.



YOUR NOTES



Nordic VLSI - World Wide Distributor

For Your nearest dealer, please see <http://www.nvlsi.no>



Main Office:

Vestre Rosten 81, N-7075 Tiller, Norway
Phone: +47 72 89 89 00, Fax: +47 72 89 89 89

E-mail: nRF@nvlsi.no

Visit the Nordic VLSI ASA website at <http://www.nvlsi.no>



SUNSTAR 商斯达实业集团是集研发、生产、工程、销售、代理经销、技术咨询、信息服务等为一体的高科技企业，是专业高科技电子产品生产厂家，是具有10多年历史的专业电子元器件供应商，是中国最早和最大的仓储式连锁规模经营大型综合电子零部件代理分销商之一，是一家专业代理和分销世界各大品牌IC芯片和电子元器件的连锁经营综合性国际公司，专业经营进口、国产名厂名牌电子元件，型号、种类齐全。在香港、北京、深圳、上海、西安、成都等全国主要电子市场设有直属分公司和产品展示展销窗口门市部专卖店及代理分销商，已在全国范围内建成强大统一的供货和代理分销网络。我们专业代理经销、开发生产电子元器件、集成电路、传感器、微波光电元器件、工控机/DOC/DOM电子盘、专用电路、单片机开发、MCU/DSP/ARM/FPGA软件硬件、二极管、三极管、模块等，是您可靠的一站式现货配套供应商、方案提供商、部件功能模块开发配套商。商斯达实业公司拥有庞大的资料库，有数位毕业于著名高校——有中国电子工业摇篮之称的西安电子科技大学（西军电）并长期从事国防尖端科技研究的高级工程师为您精挑细选、量身订做各种高科技电子元器件，并解决各种技术问题。

微波光电部专业研制、代理经销高频、微波、光纤、光电元器件、组件、部件、模块、整机；电磁兼容元器件、材料、设备；微波CAD、EDA软件、开发测试仿真工具；微波、光纤仪器仪表。欢迎国外高科技微波、光纤厂商将优秀产品介绍到中国、共同开拓市场。长期大量现货专业批发高频、微波、卫星、光纤、电视、CATV器件：晶振、VCO、连接器、PIN开关、变容二极管、开关二极管、低噪晶体管、功率电阻及电容、放大器、功率管、MMIC、混频器、耦合器、功分器、振荡器、合成器、衰减器、滤波器、隔离器、环行器、移相器、调制解调器；光电子元件和组件：红外发射管、红外接收管、光电开关、光敏管、发光二极管和发光二极管组件、半导体激光二极管和激光器组件、光电探测器和光接收组件、光发射接收模块、光纤激光器和光放大器、光调制器、光开关、DWDM用光发射和接收器件、用户接入系统光收发器件与模块、光纤连接器、光纤跳线/尾纤、光衰减器、光纤适配器、光隔离器、光耦合器、光环行器、光复用器/转换器；无线收发芯片和模组、蓝牙芯片和模组。

更多产品请看本公司产品专用销售网站：[欢迎索取免费详细资料、设计指南和光盘](#)；产品凡多，未能尽录，欢迎来电查询

商斯达中国传感器科技信息网：<http://www.sensor-ic.com/>

商斯达工控安防网：<http://www.pc-ps.net/>

商斯达电子元器件网：<http://www.sunstare.com/>

商斯达微波光电产品网：[HTTP://www.rfoe.net/](http://www.rfoe.net/)

商斯达消费电子产品网：<http://www.icasic.com/>

商斯达实业科技产品网：<http://www.sunstars.cn/> 微波元器件销售热线：

地址：深圳市福田区福华路福庆街鸿图大厦1602室

电话：0755-82884100 83397033 83396822 83398585

传真：0755-83376182 (0) 13823648918 MSN: SUNS8888@hotmail.com

邮编：518033 E-mail:szss20@163.com QQ: 195847376

技术支持: 0755-83394033 13501568376