

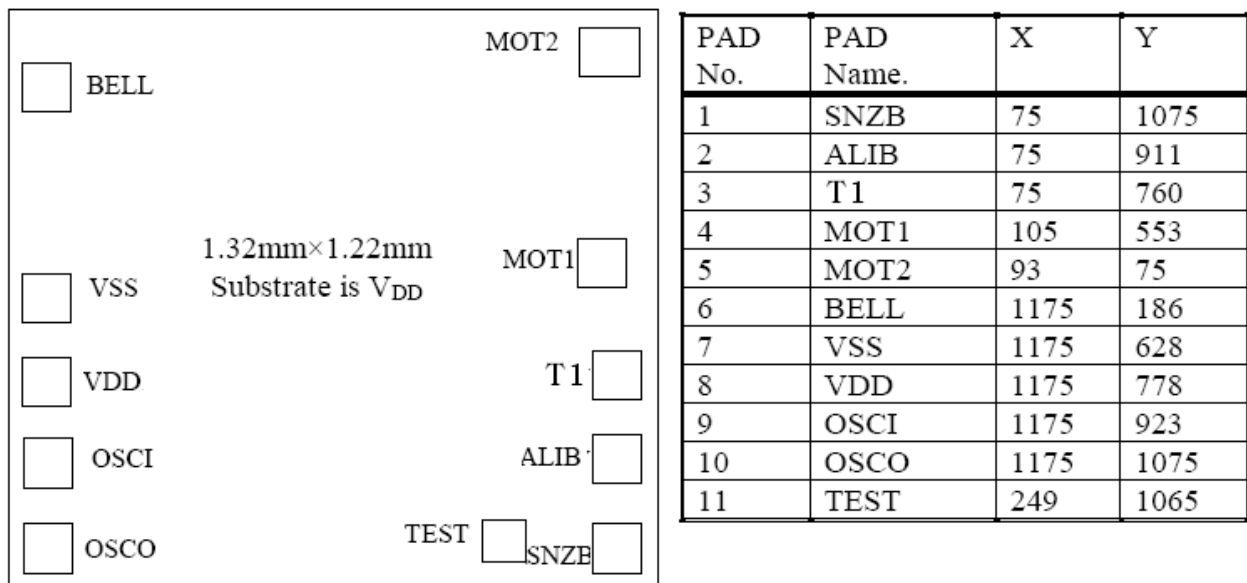
Analog alarm clock with snooze

The **SDL1045** series are analog clock ICs that derive their timing from a 32KHz oscillator element. They feature alarm output snooze function and alarm auto-stop function. They can be configured to match a wide variety of clock specifications, motor outputs.

Features

- Single 1.5V battery operation
- 32,768 Hz crystal frequency
- Low power dissipation
- Built-in trim capacitor
- Output for 1Hz or 16Hz stepper motor with selectable pulse width
- 256 second snooze interval
- 128 second alarm output auto-stop function (Mask Option)
- electronic sound motor bells
- ALIB and SNZB use different pins
- Built-in debounce circuit (ALIB/SNZB pin)
- Fast test functions
- Power-on-clear function

PAD LAYOUT

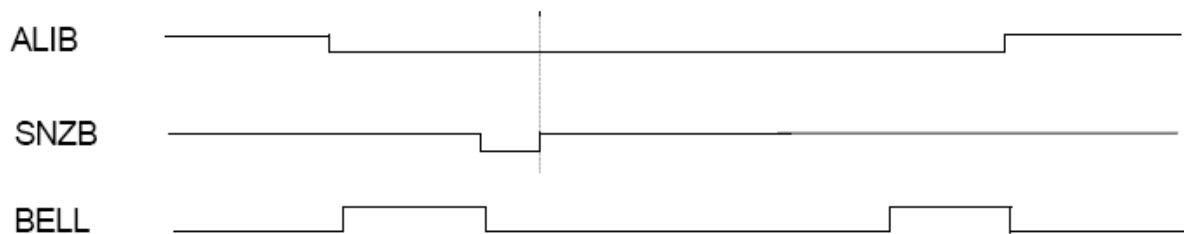


Analog alarm clock with snooze

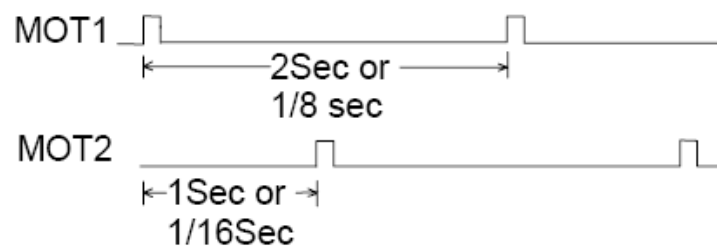
TYPE LIST

TYPE	BELL	MOT frequency	MOT pulse width
sDL1045	SINGLE	1Hz	31.25ms

Snooze Waveform

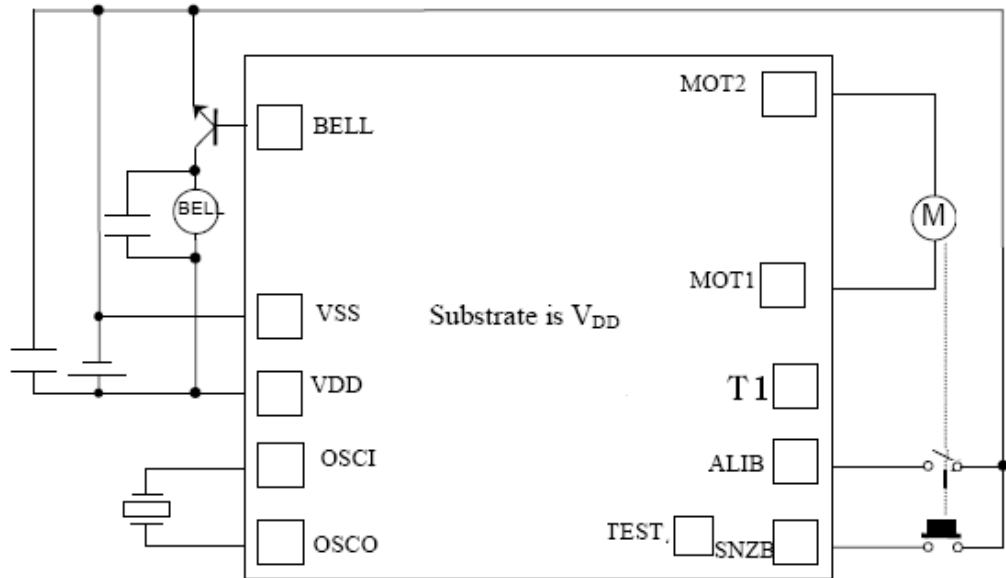


Motor Output Driving



Analog alarm clock with snooze

Bell application



DC Characteristics

($V_{DD}=1.5V$, $V_{SS}=0V$, $F_{osc}=32768Hz$ $T_a=25^{\circ}C$ unless specified otherwise)

Item	Symb.	Condition	Min.	Typ.	Max.	Unit
Supply Voltage	V_{DD}		1.1		1.8	V
Operating Current	I_{DD}	No Load		1.2	2.0	μA
Output Current Motor	I_M	$V_{DD}=1.2V$ $R_L=200\Omega$	4.5			mA
Output Current Bell High	I_{OHB}	$V_{DD}=1.3V$ $V_{OHA}=0.5V$	1	1.5		mA
OSC. Start time		$V_{DD}=1.2V$			2	sec
OSC. Stability	$\Delta f/f$	$\Delta V_{DD}=0.1V$		0.5	1	ppm
Internal Cap.	C_d			25		pF
Internal Cap.	C_g	Mask Option	5		25	pF