

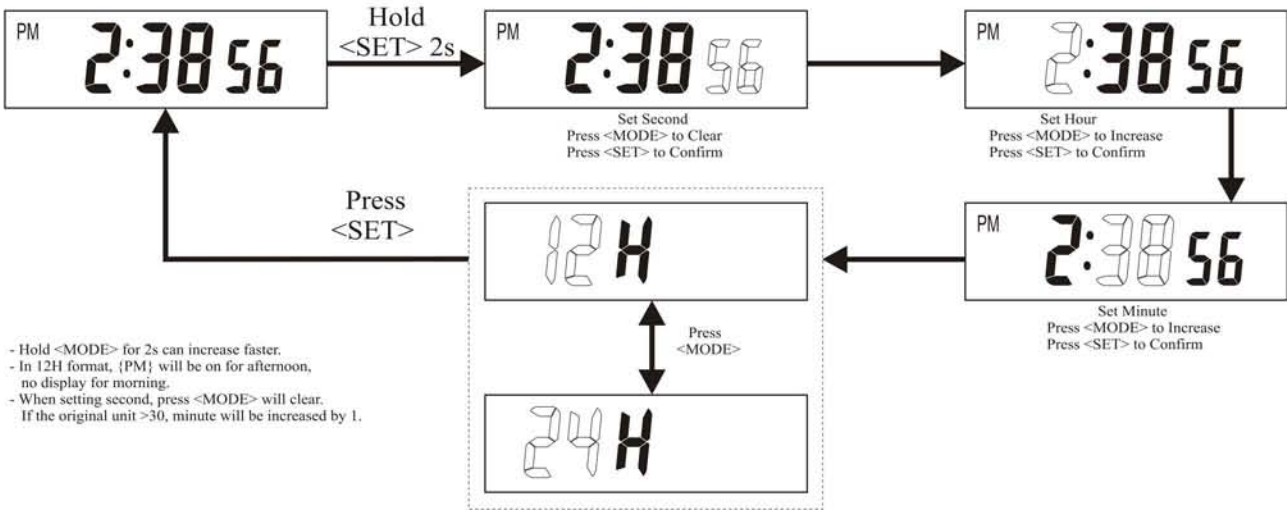
A) FEATURES

- 1) 1.5V Operate
- 2) Low Power Consumption
- 3) Functions Include :
 - a) Stepping Motor to Control Analog Clock Pointer
 - b) Clock with Seconds Display
 - c) Month / Date / Day Display
 - d) Alarm
 - e) Dual Time (2nd Time Zone)
 - f) StopWatch
- 4) 12HR / 24HR Selectable
- 5) Hourly Chime



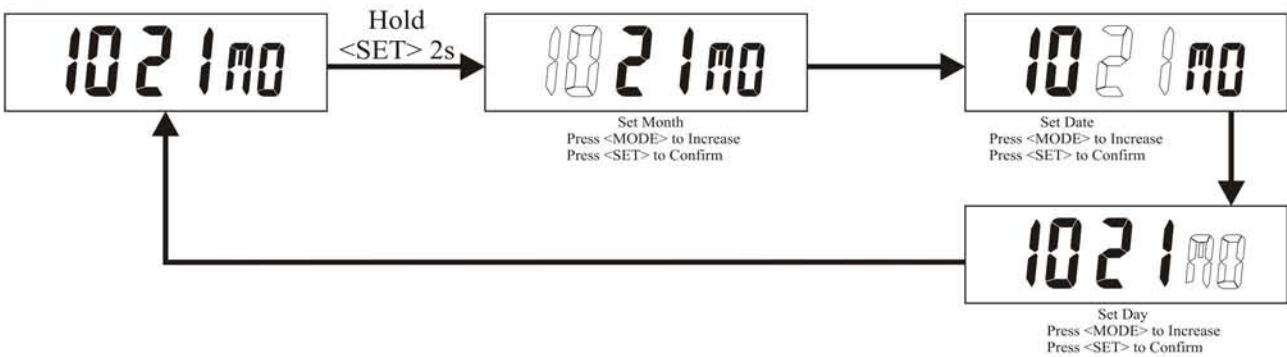
C) SETTING PROCEDURES

1) Set Clock

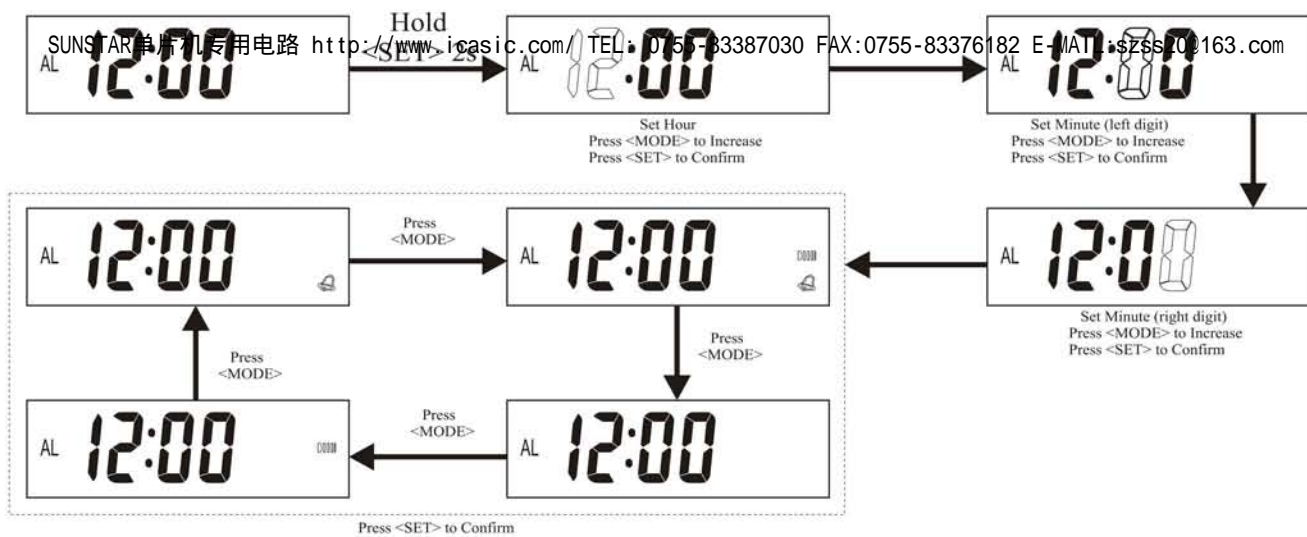


- Hold <MODE> for 2s can increase faster.
- In 12H format, {PM} will be on for afternoon, no display for morning.
- When setting second, press <MODE> will clear. If the original unit >30, minute will be increased by 1.

2) Set Date



3) Set Alarm



4) Set Dual Time

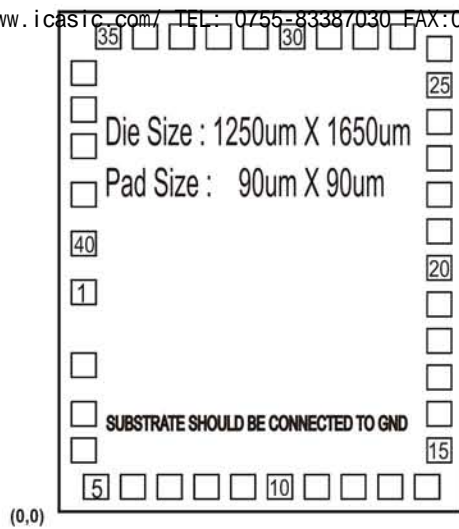


5) StopWatch

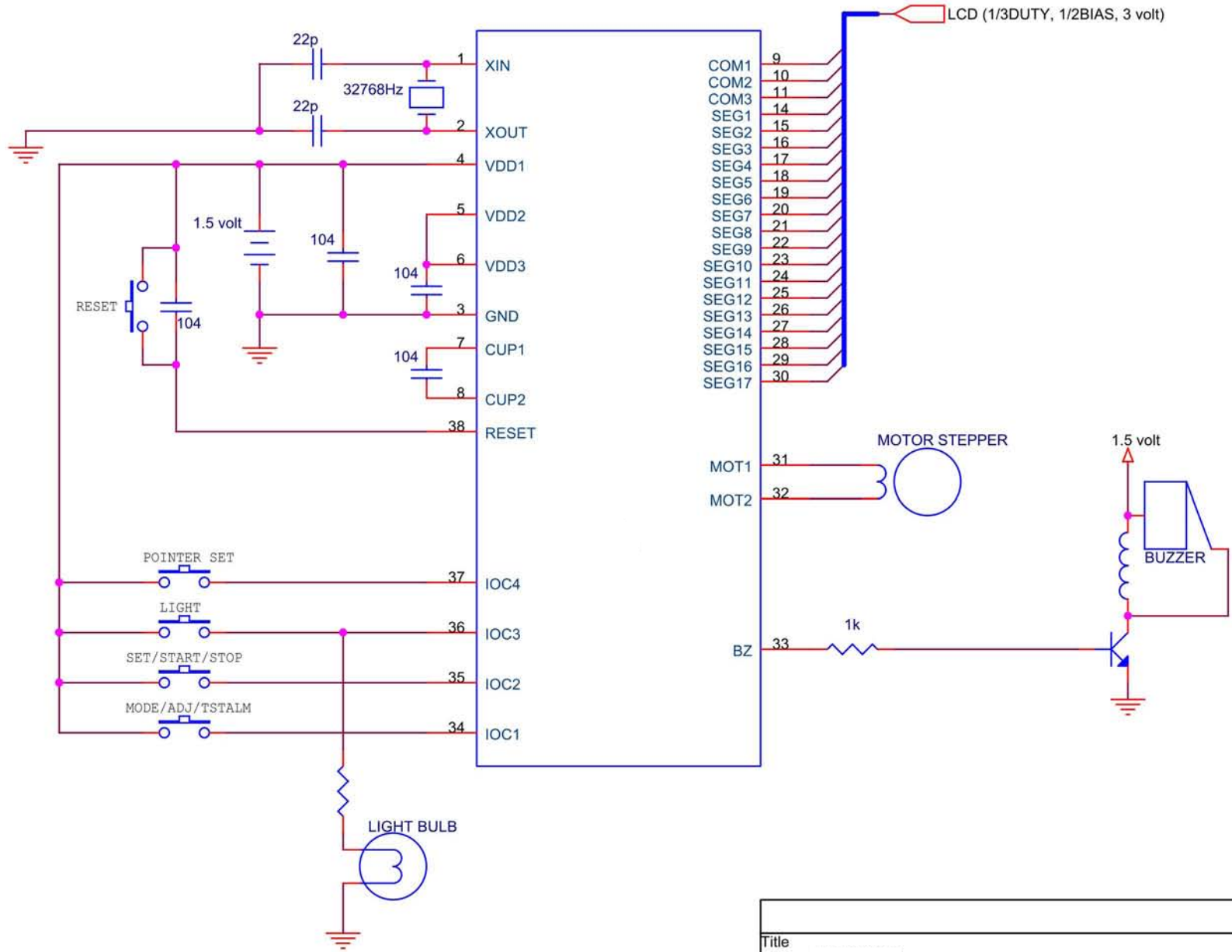
- Press <SET> to start / stop.
- Hold <SET> for 2s to reset counter.

6) Set Analog Clock Pointer

- Press <POINTER SET> once will cause pointer move one step.
- Hold <POINTER SET> for 2s, pointer will move around fast in clockwise direction.



NO	NAME	X	Y	NO	NAME	X	Y
1	XIN	72.5	712.85	21	SEG8	1176.85	919.5
2	XOUT	72.5	451.35	22	SEG9	1176.85	1041.5
3	GND	75.0	314.05	23	SEG10	1176.85	1163.5
4	VDD1	75.0	199.05	24	SEG11	1176.85	1285.5
5	VDD2	94.95	72.5	25	SEG12	1176.85	1407.5
6	VDD3	209.95	72.5	26	SEG13	1176.85	1534.2
7	CUP1	324.95	72.5	27	SEG14	1056.1	1571.3
8	CUP2	439.95	72.5	28	SEG15	936.1	1571.3
9	COM1	554.95	72.5	29	SEG16	816.1	1571.3
10	COM2	669.95	72.5	30	SEG17	696.1	1571.3
11	COM3	784.95	72.5	31	MOT1	576.1	1571.3
12	N.C.	899.95	72.5	32	MOT2	456.1	1571.3
13	N.C.	1014.95	72.5	33	BZ	336.1	1571.3
14	SEG1	1129.95	72.5	34	IOC1	216.1	1571.3
15	SEG2	1176.85	187.5	35	IOC2	96.1	1571.3
16	SEG3	1176.85	309.5	36	IOC3	72.5	1440.65
17	SEG4	1176.85	431.5	37	IOC4	72.5	1325.65
18	SEG5	1176.85	553.5	38	RESET	72.5	1188.65
19	SEG6	1176.85	675.5	39	N.C.	72.5	1029.85
20	SEG7	1176.85	797.5	40	N.C.	72.5	871.65



Title		
Size A	Document Number	Rev 1.1
Date: Tuesday, November 19, 2002	Sheet 1	of 1



1/3 Duty, 1/2 Bias, 3 Vlcd

