



Product Description

Peregrine's PE9704 is a high-performance integer-N PLL capable of frequency synthesis up to 3000 MHz. The device is designed for superior phase noise performance while providing an order of magnitude reduction in current consumption, when compared with existing commercial space PLLs.

The PE9704 features a $\div 10/11$ dual modulus prescaler, counters, and a phase comparator as shown in Figure 1. Counter values are programmable through a serial interface, and can also be directly hard wired.

The PE9704 is optimized for commercial space applications. Single Event Latch up (SEL) is physically impossible and Single Event Upset (SEU) is better than 10^{-9} errors per bit / day. It is manufactured on Peregrine's UltraCMOS™ process, a patented variation of silicon-on-insulator (SOI) technology on a sapphire substrate, offering excellent RF performance and intrinsic radiation tolerance.

Features

- 3000 MHz operation
- $\div 10/11$ dual modulus prescaler
- Phase detector output
- Serial interface or hardwired programmable
- Ultra-low phase noise
- SEU < 10^{-9} errors / bit-day
- 100 Krad (Si) total dose
- 44-lead CQFJ

Figure 1. Block Diagram

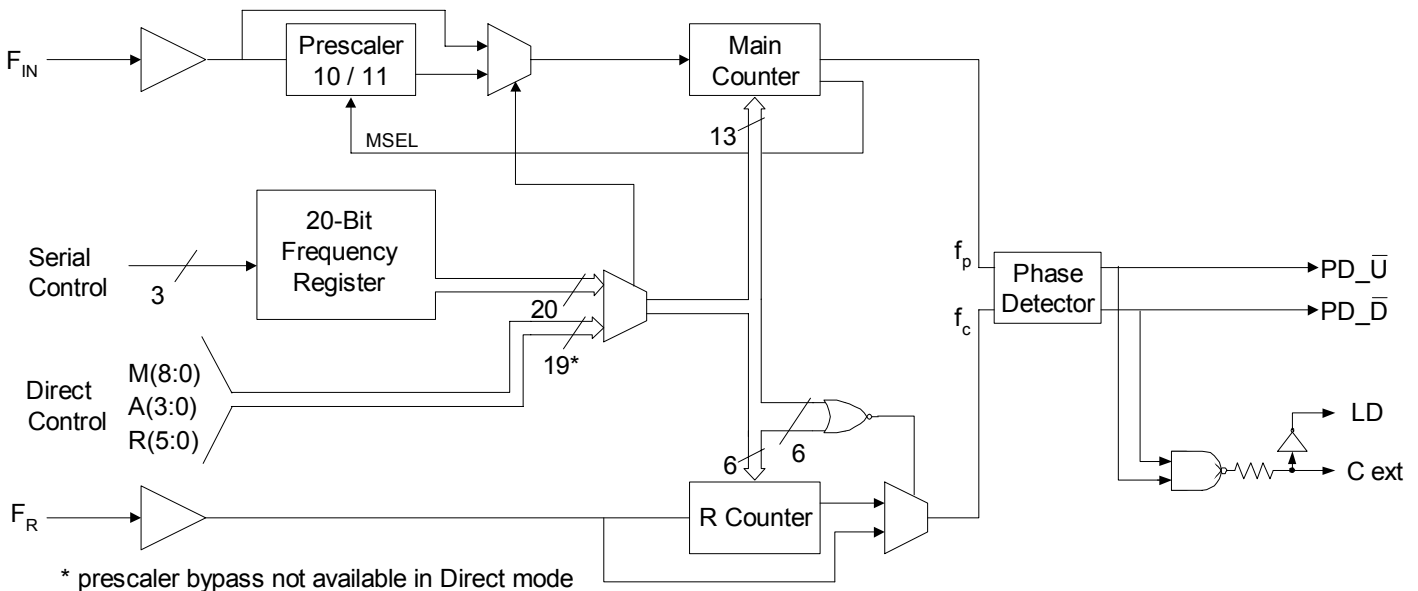
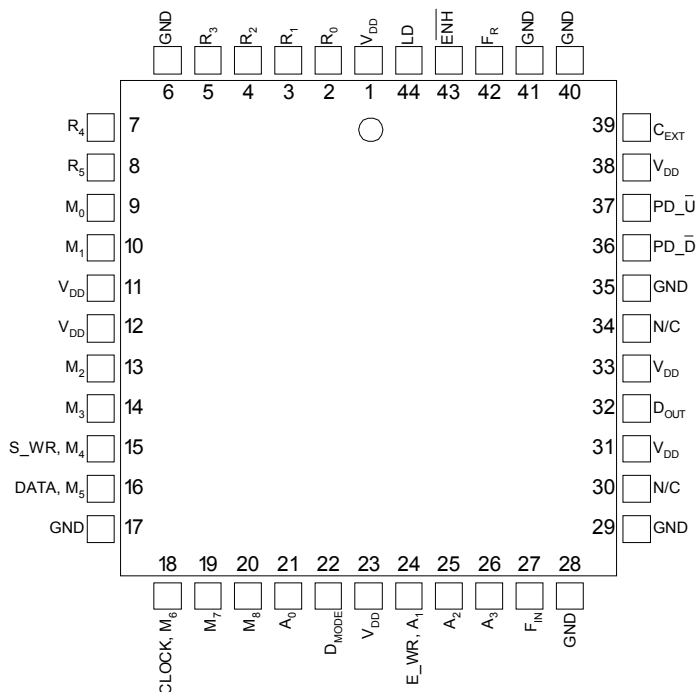
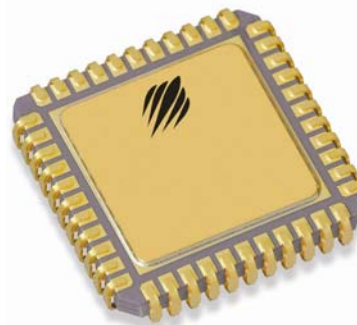


Figure 2. Pin Configurations (Top View)

Figure 3. Package Type
44-lead CQFJ

Table 1. Pin Descriptions

Pin No.	Pin Name	Interface Mode	Type	Description
1	V _{DD}	Both	(Note 1)	Power supply input. Input may range from 2.85 V to 3.15 V. Bypassing recommended.
2	R ₀	Direct	Input	R Counter bit0
3	R ₁	Direct	Input	R Counter bit1
4	R ₂	Direct	Input	R Counter bit2
5	R ₃	Direct	Input	R Counter bit3
6	GND	Both	(Note 1)	Ground
7	R ₄	Direct	Input	R Counter bit4
8	R ₅	Direct	Input	R Counter bit5 (MSB)
9	M ₀	Direct	Input	M Counter bit0
10	M ₁	Direct	Input	M Counter bit1
11	V _{DD}	Both	(Note 1)	Same as pin 1
12	V _{DD}	Both	(Note 1)	Same as pin 1
13	M ₂	Direct	Input	M Counter bit2
14	M ₃	Direct	Input	M Counter bit3
15	S_WR	Serial	Input	Frequency register load enable input. Buffered data is transferred to the frequency register on S_WR rising edge.
	M ₄	Direct	Input	M Counter bit4
16	DATA	Serial	Input	Binary serial data input. Data is entered LSB first, and is clocked serially into the 20-bit frequency control register (E_WR "low") or the 8-bit enhancement register (E_WR "high") on the rising edge of CLOCK.
	M ₅	Direct	Input	M Counter bit5

Table 1. Pin Descriptions (continued)

Pin No.	Pin Name	Interface Mode	Type	Description
17	GND	Both		Ground
18	CLOCK	Serial	Input	Clock input. Data is clocked serially into either the 20-bit primary register (E_WR "low") or the 8-bit enhancement register (E_WR "high") on the rising edge of CLOCK.
	M ₆	Direct	Input	M Counter bit6
19	M ₇	Direct	Input	M Counter bit7
20	M ₈	Direct	Input	M Counter bit8 (MSB)
21	A ₀	Direct	Input	A Counter bit0
22	D _{MODE}	Both	Input	Selects direct interface mode (D _{MODE} =1) or serial interface mode (D _{MODE} =0)
23	V _{DD}	Both	(Note 1)	Same as pin 1
24	E_WR	Serial	Input	Enhancement register write enable. While E_WR is "high", DATA can be serially clocked into the enhancement register on the rising edge of CLOCK.
	A ₁	Direct	Input	A Counter bit1.
25	A ₂	Direct	Input	A Counter bit2
26	A ₃	Direct	Input	A Counter bit3 (MSB)
27	F _{IN}	Both	Input	RF prescaler input from the VCO. 3.0 GHz maximum frequency.
28	GND	Both		Ground.
29	GND	Both		Ground.
30	N/C			No connect.
31	V _{DD}	Both	(Note 1)	Same as pin 1
32	D _{OUT}	Serial	Output	Data Out. The Main Counter output, R Counter output, or dual modulus prescaler select (MSEL) can be routed to D _{OUT} through enhancement register programming.
33	V _{DD}	Both	(Note 1)	Same as pin 1
34	N/C			No connect.
35	GND	Both		Ground.
36	PD_D	Both	Output	PD_D pulses down when f _p leads f _c .
37	PD_U	Both		PD_U pulses down when f _c leads f _p .
38	V _{DD}	Both	(Note 1)	Same as pin 1
39	C _{EXT}	Both	Output	Logical "NAND" of PD_U and PD_D, passed through an on-chip, 2 kΩ series resistor. Connecting C _{EXT} to an external capacitor will low pass filter the input to the inverting amplifier used for driving LD.
40	GND	Both		Ground
41	GND	Both		Ground
42	F _R	Both	Input	Reference frequency input
43	$\overline{\text{ENH}}$	Both	Output, OD	Enhancement mode. When asserted low ("0"), enhancement register bits are functional.
44	LD	Serial	Output	Lock detect output, the open-drain logical inversion of C _{EXT} . When the loop is locked, LD is high impedance; otherwise LD is a logic low ("0").

Note 1: V_{DD} pins 1, 11, 12, 23, 31, 33, 35, and 38 are connected by diodes and must be supplied with the same positive voltage level.

Note 2: All digital input pins have 70 kΩ pull-down resistors to ground.

Table 2. Absolute Maximum Ratings

Symbol	Parameter/Conditions	Min	Max	Units
V_{DD}	Supply voltage	-0.3	4.0	V
V_I	Voltage on any input	-0.3	$V_{DD} + 0.3$	V
I_I	DC into any input	-10	+10	mA
I_O	DC into any output	-10	+10	mA
T_{stg}	Storage temperature range	-65	150	°C

Table 3. Operating Ratings

Symbol	Parameter/Conditions	Min	Max	Units
V_{DD}	Supply voltage	2.85	3.15	V
T_A	Operating ambient temperature range	-40	85	°C

Table 4. ESD Ratings

Symbol	Parameter/Conditions	Level	Units
V_{ESD}	ESD voltage (Human Body Model) – Note 1	1000	V

Note 1: Periodically sampled, not 100% tested. Tested per MIL-STD-883, M3015 C2

Electrostatic Discharge (ESD) Precautions

When handling this UltraCMOS™ device, observe the same precautions that you would use with other ESD-sensitive devices. Although this device contains circuitry to protect it from damage due to ESD, precautions should be taken to avoid exceeding the specified rating in Table 4.

Latch-Up Avoidance

Unlike conventional CMOS devices, UltraCMOS™ devices are immune to latch-up.

Table 5. DC Characteristics: $V_{DD} = 3.0\text{ V}$, $-40^\circ\text{ C} < T_A < 85^\circ\text{ C}$, unless otherwise specified

Symbol	Parameter	Conditions	Min	Typ	Max	Units
I_{DD}	Operational supply current; Prescaler disabled Prescaler enabled	$V_{DD} = 2.85\text{ to }3.15\text{ V}$		10 24	31	mA mA
Digital Inputs: All except F_R , F_{IN} (all digital inputs have 70 kΩ pull-up resistors)						
V_{IH}	High level input voltage	$V_{DD} = 2.85\text{ to }3.15\text{ V}$	$0.7 \times V_{DD}$			V
V_{IL}	Low level input voltage	$V_{DD} = 2.85\text{ to }3.15\text{ V}$			$0.3 \times V_{DD}$	V
I_{IH}	High level input current	$V_{IH} = V_{DD} = 3.15\text{ V}$			+70	μA
I_{IL}	Low level input current	$V_{IL} = 0, V_{DD} = 3.15\text{ V}$	-1			μA
Reference Divider input: F_R						
I_{IHR}	High level input current	$V_{IH} = V_{DD} = 3.15\text{ V}$			+100	μA
I_{ILR}	Low level input current	$V_{IL} = 0, V_{DD} = 3.15\text{ V}$	-100			μA
Counter and phase detector outputs: f_c, f_p .						
V_{OLD}	Output voltage LOW	$I_{out} = 6\text{ mA}$			0.4	V
V_{OHD}	Output voltage HIGH	$I_{out} = -3\text{ mA}$	$V_{DD} - 0.4$			V
Lock detect outputs: C_{EXT}, LD						
V_{OLC}	Output voltage LOW, C_{EXT}	$I_{out} = 100\text{ μA}$			0.4	V
V_{OHC}	Output voltage HIGH, C_{EXT}	$I_{out} = -100\text{ μA}$	$V_{DD} - 0.4$			V
V_{OLLD}	Output voltage LOW, LD	$I_{out} = 6\text{ mA}$			0.4	V

Table 6. AC Characteristics: $V_{DD} = 3.0\text{ V}$, $-40^\circ\text{ C} < T_A < 85^\circ\text{ C}$, unless otherwise specified

Symbol	Parameter	Conditions	Min	Max	Units
Control Interface and Latches (see Figures 1 and 3)					
f_{CLK}	CLOCK Serial data clock frequency	(Note 1)		10	MHz
t_{CLKH}	CLOCK Serial clock HIGH time		30		ns
t_{CLKL}	CLOCK Serial clock LOW time		30		ns
t_{DSU}	DATA set-up time after CLOCK rising edge		10		ns
t_{DHLd}	DATA hold time after CLOCK rising edge		10		ns
t_{PW}	S_WR pulse width		30		ns
t_{CWR}	CLOCK rising edge to S_WR rising edge.		30		ns
t_{CE}	CLOCK falling edge to E_WR transition		30		ns
t_{WRC}	S_WR falling edge to CLOCK rising edge.		30		ns
t_{EC}	E_WR transition to CLOCK rising edge		30		ns
t_{MDO}	MSEL data out delay after F_{IN} rising edge	$C_L = 12\text{ pf}$		8	ns
Main Divider (Including Prescaler)					
F_{IN}	Operating frequency		500	3000	MHz
P_{Fin}	Input level range	External AC coupling	-5	5	dBm
Main Divider (Prescaler Bypassed)					
F_{IN}	Operating frequency		50	300	MHz
P_{Fin}	Input level range	External AC coupling	-5	5	dBm
Reference Divider					
F_R	Operating frequency	(Note 3)		100	MHz
P_{Fr}	Reference input power (Note 2)	Single-ended input	-2		dBm
Phase Detector					
f_c	Comparison frequency	(Note 3)		20	MHz

Note 1: f_{clk} is verified during the functional pattern test. Serial programming sections of the functional pattern are clocked at 10 MHz to verify f_{clk} specification.

Note 2: CMOS logic levels can be used to drive reference input if DC coupled. Voltage input needs to be a minimum of $0.5V_{p-p}$.

Note 3: Parameter is guaranteed through characterization only and is not tested.

Functional Description

The PE9704 consists of a prescaler, counters, a phase detector, and control logic. The dual modulus prescaler divides the VCO frequency by either 10 or 11, depending on the value of the modulus select. Counters “R” and “M” divide the reference and prescaler output, respectively, by integer values stored in a 20-bit register. An additional counter (“A”) is used in the modulus select logic. The phase-frequency detector generates up and down frequency control signals. The control logic includes a selectable chip interface. Data can be written via a serial bus or hardwired directly to the pins. There are also various operational and test modes and a lock detect output.

Main Counter Chain

Normal Operating Mode

Setting the PB control bit “low” enables the ÷10/11 prescaler. The main counter chain then divides the RF input frequency (F_{IN}) by an integer derived from the values in the “M” and “A” counters.

In this mode, the output from the main counter chain (f_p) is related to the VCO frequency (F_{IN}) by the following equation:

$$f_p = F_{IN} / [10 \times (M + 1) + A] \quad (1)$$

where $A \leq M + 1$, $1 \leq M \leq 511$

When the loop is locked, F_{IN} is related to the reference frequency (F_R) by the following equation:

$$F_{IN} = [10 \times (M + 1) + A] \times (F_R / (R+1)) \quad (2)$$

where $A \leq M + 1$, $1 \leq M \leq 511$

A consequence of the upper limit on A is that F_{IN} must be greater than or equal to $90 \times (F_R / (R+1))$ to obtain contiguous channels. The A counter can accept values as high as 15, but in typical operation it will cycle from 0 to 9 between increments in M.

Programming the M counter with the minimum allowed value of “1” will result in a minimum M counter divide ratio of “2”.

Prescaler Bypass Mode

Setting the frequency control register bit PB “high” allows F_{IN} to bypass the ÷10/11 prescaler. In this mode, the prescaler and A counter are powered down, and the input VCO frequency is divided by the M counter directly. This mode is only available when using the serial port to set the frequency control bits. The following equation relates F_{IN} to the reference frequency F_R :

$$F_{IN} = (M + 1) \times (F_R / (R+1)) \quad (3)$$

where $1 \leq M \leq 511$

Reference Counter

The reference counter chain divides the reference frequency F_R down to the phase detector comparison frequency f_c .

The output frequency of the 6-bit R Counter is related to the reference frequency by the following equation:

$$f_c = F_R / (R + 1) \quad (4)$$

where $0 \leq R \leq 63$

Note that programming R with “0” will pass the reference frequency (F_R) directly to the phase detector.

Register Programming

Serial Interface Mode

Serial Interface Mode is selected by setting the D_{MODE} input “low”.

While the E_WR input is “low”, serial data (DATA input), B_0 to B_{19} , is clocked into a buffer register on the rising edge of CLOCK, LSB (B_0) first. The contents from this buffer register are transferred into the frequency control register on the rising edge of S_WR according to the timing diagram shown in Figure 4. This data controls the counters as shown in Table 7.

While the E_WR input is “high”, serial data (DATA input), B_0 to B_7 , is clocked into a buffer register on the rising edge of CLOCK, LSB (B_0) first. The contents from this buffer register are transferred into the enhancement register on the falling edge of E_WR according to the timing diagram shown

in Figure 4. After the falling edge of E_WR , the data provides control bits as shown in Table 8. These bits are active when the Enh input is “low”.

Direct Interface Mode

Direct Interface Mode is selected by setting the D_{MODE} input “high”. In this mode, the counter values are set directly at external pins as shown in Table 7 and Figure 2. All frequency control register bits are addressable except PB (it is not possible to bypass the $\div 10/11$ dual modulus prescaler in Direct Mode).

Table 7. Frequency Register Programming

Interface Mode	\overline{Enh}	D_{MODE}	R_5	R_4	M_8	M_7	PB	M_6	M_5	M_4	M_3	M_2	M_1	M_0	R_3	R_2	R_1	R_0	A_3	A_2	A_1	A_0
Serial*	1	0	B_0	B_1	B_2	B_3	B_4	B_5	B_6	B_7	B_8	B_9	B_{10}	B_{11}	B_{12}	B_{13}	B_{14}	B_{15}	B_{16}	B_{17}	B_{18}	B_{19}
Direct	1	1	R_5	R_4	M_8	M_7	0	M_6	M_5	M_4	M_3	M_2	M_1	M_0	R_3	R_2	R_1	R_0	A_3	A_2	A_1	A_0

* Data is clocked serially on CLOCK rising edge while E_WR is “low” and transferred to frequency register on S_WR rising edge.

↑
MSB (first in)

↑
(last in) LSB

Table 8. Enhancement Register Programming

Interface Mode	\overline{Enh}	D_{MODE}	Reserved*	Reserved*	fp output	Power down	Counter load	MSEL output	fc output	Reserved*
Serial**	0	X	B_0	B_1	B_2	B_3	B_4	B_5	B_6	B_7

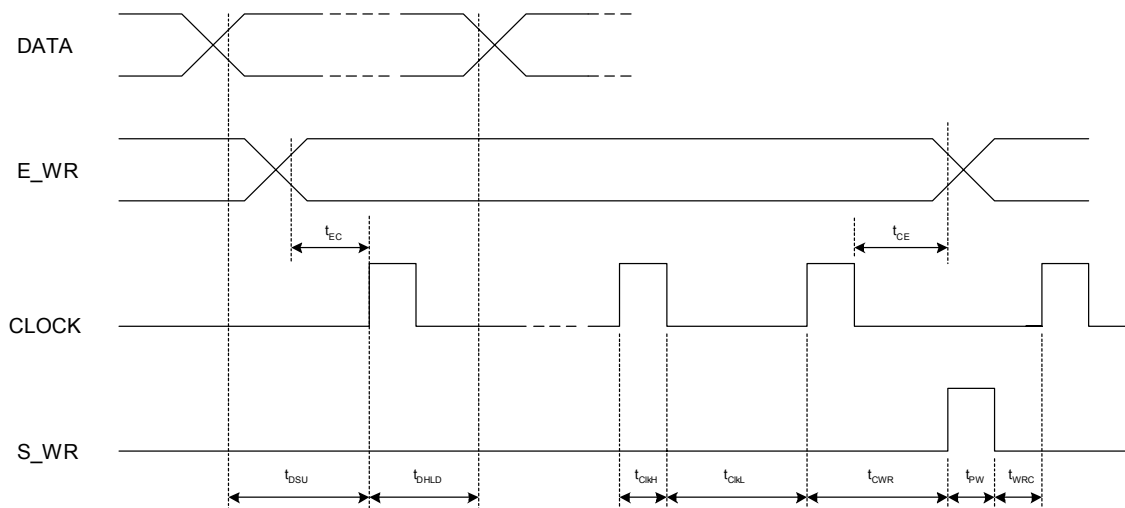
* Program to 0

* Data is clocked serially on CLOCK rising edge while E_WR is “low” and transferred to frequency register on S_WR rising edge.

↑
MSB (first in)

↑
(last in) LSB

Figure 4. Serial Interface Mode Timing Diagram



Enhancement Register

The functions of the enhancement register bits are shown below. All bits are active high. Operation is undefined if more than one output is sent to D_{OUT} .

Table 9. Enhancement Register Bit Functionality

Bit Function	Description	
Bit 0	Reserved**	
Bit 1	Reserved**	
Bit 2	f_p output	Drives the M counter output onto the D_{OUT} output.
Bit 3	Power down	Power down of all functions except programming interface.
Bit 4	Counter load	Immediate and continuous load of counter programming.
Bit 5	MSEL output	Drives the internal dual modulus prescaler modulus select (MSEL) onto the D_{OUT} output.
Bit 6	f_c output	Drives the R counter output onto the D_{OUT} output
Bit 7	Reserved**	

** Program to 0

Phase Detector Outputs

The phase detector is triggered by rising edges from the main counter (f_p) and the reference counter (f_c). It has two outputs, PD_U, and PD_D. If the divided VCO leads the divided reference in phase or frequency (f_p leads f_c), PD_D pulses “low”. If the divided reference leads the divided VCO in phase or frequency (f_c leads f_p), PD_U pulses “low”. The width of either pulse is directly proportional to phase offset between the two input signals, f_p and f_c . The phase detector gain is 430 mV / radian.

PD_U and PD_D are designed to drive an active loop filter which controls the VCO tune voltage.

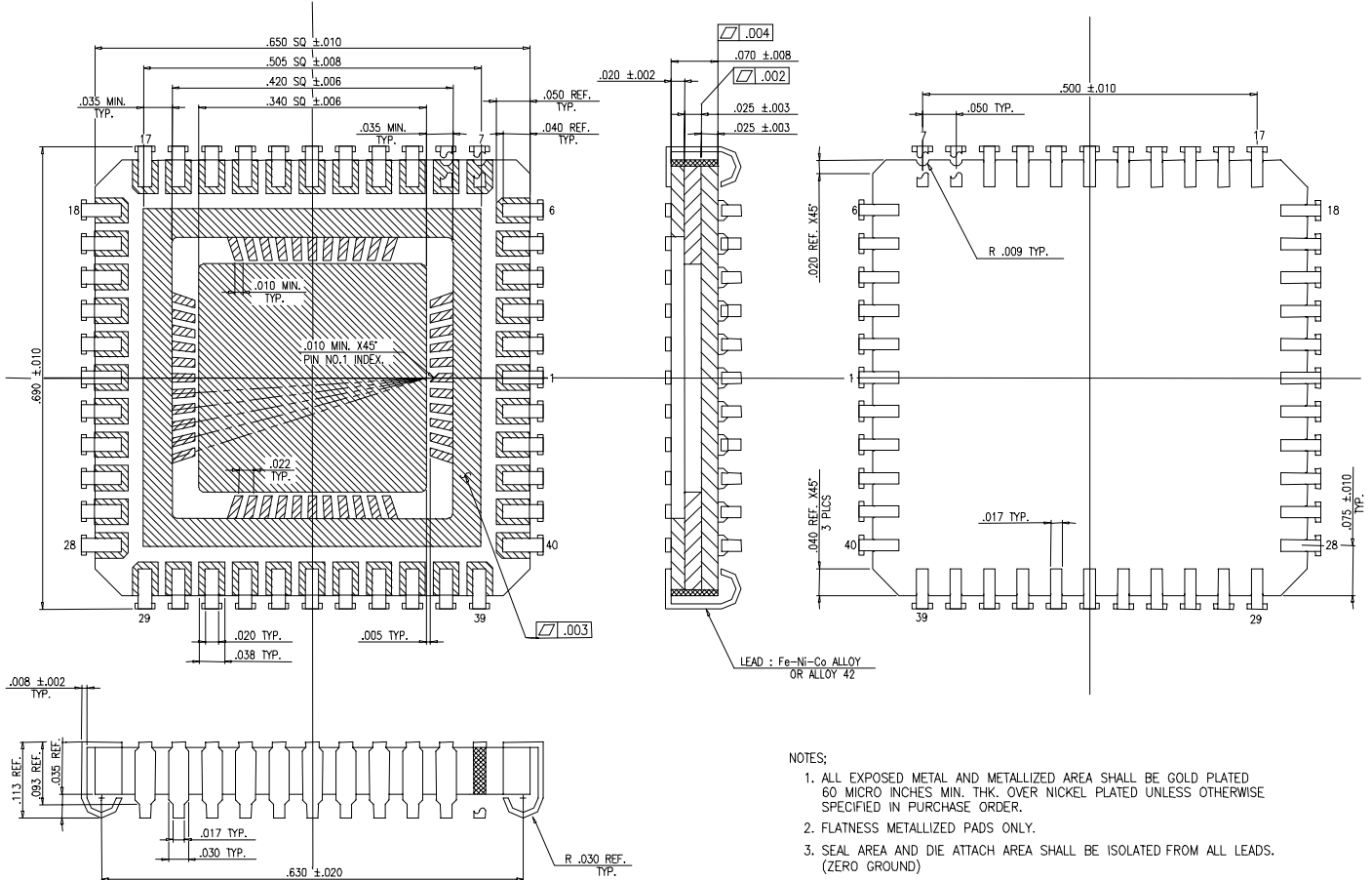
PD_U pulses result in an increase in VCO frequency and PD_D results in a decrease in VCO frequency.

Software tools for designing the active loop filter can be found at Peregrine’s web site: www.psemi.com

Lock Detect Output

A lock detect signal is provided at pin LD, via the pin C_{EXT} (see Figure 1). C_{EXT} is the logical “NAND” of PD_U and PD_D waveforms, driven through a series 2 kΩ resistor. Connecting C_{EXT} to an external shunt capacitor provides integration of this signal.

Figure 5. Package Drawing
44-lead CQFJ



All dimensions are in mils

Table 10. Ordering Information

Order Code	Part Marking	Description	Package	Shipping Method
9704-01	PE9704 ES	Engineering Samples	44-pin CQFJ	40 units / Tray
9704-11	PE9704	Flight Units	44-pin CQFJ	40 units / Tray
9704-00	PE9704 EK	Evaluation Kit		1 / Box

Sales Offices

The Americas

Peregrine Semiconductor Corporation

9450 Carroll Park Drive
San Diego, CA 92121
Tel: 858-731-9400
Fax: 858-731-9499

Europe

Peregrine Semiconductor Europe

Bâtiment Maine
13-15 rue des Quatre Vents
F-92380 Garches, France
Tel: +33-1-47-41-91-73
Fax : +33-1-47-41-91-73

Space and Defense Products

Americas:

Tel: 858-731-9453

Europe, Asia Pacific:

180 Rue Jean de Guiramand
13852 Aix-En-Provence Cedex 3, France
Tel: +33(0) 4 4239 3361
Fax: +33(0) 4 4239 7227

North Asia Pacific

Peregrine Semiconductor K.K.

Teikoku Hotel Tower 10B-6
1-1-1 Uchisaiwai-cho, Chiyoda-ku
Tokyo 100-0011 Japan
Tel: +81-3-3502-5211
Fax: +81-3-3502-5213

Peregrine Semiconductor, Korea

#B-2402, Kolon Tripolis, #210
Geumgok-dong, Bundang-gu, Seongnam-si
Gyeonggi-do, 463-480 S. Korea
Tel: +82-31-728-4300
Fax: +82-31-728-4305

South Asia Pacific

Peregrine Semiconductor, China

Shanghai, 200040, P.R. China
Tel: +86-21-5836-8276
Fax: +86-21-5836-7652

For a list of representatives in your area, please refer to our Web site at: www.psemi.com

Data Sheet Identification

Advance Information

The product is in a formative or design stage. The data sheet contains design target specifications for product development. Specifications and features may change in any manner without notice.

Preliminary Specification

The data sheet contains preliminary data. Additional data may be added at a later date. Peregrine reserves the right to change specifications at any time without notice in order to supply the best possible product.

Product Specification

The data sheet contains final data. In the event Peregrine decides to change the specifications, Peregrine will notify customers of the intended changes by issuing a DCN (Document Change Notice).

The information in this data sheet is believed to be reliable. However, Peregrine assumes no liability for the use of this information. Use shall be entirely at the user's own risk.

No patent rights or licenses to any circuits described in this data sheet are implied or granted to any third party.

Peregrine's products are not designed or intended for use in devices or systems intended for surgical implant, or in other applications intended to support or sustain life, or in any application in which the failure of the Peregrine product could create a situation in which personal injury or death might occur. Peregrine assumes no liability for damages, including consequential or incidental damages, arising out of the use of its products in such applications.

The Peregrine name, logo, and UTSi are registered trademarks and UltraCMOS and HaRP are trademarks of Peregrine Semiconductor Corp.

SUNSTAR 商斯达实业集团是集研发、生产、工程、销售、代理经销、技术咨询、信息服务等为一体的高科技企业，是专业高科技电子产品生产厂家，是具有 10 多年历史的专业电子元器件供应商，是中国最早和最大的仓储式连锁规模经营大型综合电子零部件代理分销商之一，是一家专业代理和分销世界各大品牌 IC 芯片和电子元器件的连锁经营综合性国际公司，专业经营进口、国产名厂名牌电子元件，型号、种类齐全。在香港、北京、深圳、上海、西安、成都等全国主要电子市场设有直属分公司和产品展示展销窗口门市部专卖店及代理分销商，已在全国范围内建成强大统一的供货和代理分销网络。我们专业代理经销、开发生产电子元器件、集成电路、传感器、微波光电元器件、工控机/DOC/DOM 电子盘、专用电路、单片机开发、MCU/DSP/ARM/FPGA 软件硬件、二极管、三极管、模块等，是您可靠的一站式现货配套供应商、方案提供商、部件功能模块开发配套商。商斯达实业公司拥有庞大的资料库，有数位毕业于著名高校——有中国电子工业摇篮之称的西安电子科技大学（西军电）并长期从事国防尖端科技研究的高级工程师为您精挑细选、量身订做各种高科技电子元器件，并解决各种技术问题。

微波光电部专业代理经销高频、微波、光纤、光电元器件、组件、部件、模块、整机；电磁兼容元器件、材料、设备；微波 CAD、EDA 软件、开发测试仿真工具；微波、光纤仪器仪表。欢迎国外高科技微波、光纤厂商将优秀产品介绍到中国、共同开拓市场。长期大量现货专业批发高频、微波、卫星、光纤、电视、CATV 器件：晶振、VCO、连接器、PIN 开关、变容二极管、开关二极管、低噪晶体管、功率电阻及电容、放大器、功率管、MMIC、混频器、耦合器、功分器、振荡器、合成器、衰减器、滤波器、隔离器、环行器、移相器、调制解调器；光电子器件和组件：红外发射管、红外接收管、光电开关、光敏管、发光二极管和发光二极管组件、半导体激光二极管和激光器组件、光电探测器和光接收组件、光发射接收模块、光纤激光器和光放大器、光调制器、光开关、DWDM 用光发射和接收器件、用户接入系统光收发器件与模块、光纤连接器、光纤跳线/尾纤、光衰减器、光纤适配器、光隔离器、光耦合器、光环行器、光复用器/转换器；无线收发芯片和模组、蓝牙芯片和模组。

更多产品请看本公司产品专用销售网站：

商斯达微波光电产品网：[HTTP://www.rfoe.net/](http://www.rfoe.net/)

商斯达中国传感器科技信息网：<http://www.sensor-ic.com/>

商斯达工控安防网：<http://www.pc-ps.net/>

商斯达电子元器件网：<http://www.sunstare.com/>

商斯达消费电子产品网：<http://www.icasic.com/>

商斯达实业科技产品网：<http://www.sunstars.cn/> 射频微波光电元器件销售热线：

地址：深圳市福田区福华路福庆街鸿图大厦 1602 室

电话：0755-83396822 83397033 83398585 82884100

传真：0755-83376182 (0) 13823648918 MSN: SUNS8888@hotmail.com

邮编：518033 E-mail:szss20@163.com QQ: 195847376

深圳赛格展销部：深圳华强北路赛格电子市场 2583 号 电话：0755-83665529 25059422

技术支持：0755-83394033 13501568376

欢迎索取免费详细资料、设计指南和光盘；产品凡多，未能尽录，欢迎来电查询。

北京分公司：北京海淀区知春路 132 号中发电子大厦 3097 号

TEL: 010-81159046 82615020 13501189838 FAX: 010-62543996

上海分公司：上海市北京东路 668 号上海赛格电子市场 D125 号

TEL: 021-28311762 56703037 13701955389 FAX: 021-56703037

西安分公司：西安高新开发区 20 所(中国电子科技集团导航技术研究所)

西安劳动南路 88 号电子商城二楼 D23 号

TEL: 029-81022619 13072977981 FAX:029-88789382