



# **PE3342 EVALUATION KIT USER'S MANUAL**

6175 Nancy Ridge Drive, San Diego, CA 92121  
(858) 455-0660, Fax (858) 455-0770  
<http://www.peregrine-semi.com>

# Table of Contents

<b>Introduction.....</b>	<b>4</b>
Introduction.....	5
Applications Support.....	5
FCC Labeling Requirement.....	5
<b>Hardware Section.....</b>	<b>6</b>
Evaluation Kit Contents & Requirements.....	7
Evaluation Kit Configuration.....	8
Evaluation Kit Setup.....	9
<b>Software Section.....</b>	<b>11</b>
Software Installation Instructions.....	12
26-Wire PSC Universal LPT1 Interface Cable Configuration .....	13
Evaluation Kit Configuration for EEPROM Programming .....	13
Reprogramming the EEPROM.....	14

© Copyright 2002 Peregrine Semiconductor Corp. All rights reserved. Printed in the United States of America. No part of this publication may be reproduced, photocopied, stored in a retrieval system, or transmitted by electronic, mechanical or any other means without prior written permission of Peregrine Semiconductor Corp.

Peregrine Semiconductor Corp., the Peregrine logotype, and UTSi are registered trademarks of Peregrine Semiconductor Corp. PE3342 is a trademark of Peregrine Semiconductor Corp.

Peregrine Semiconductor Corp. reserves the right to make improvements to the hardware, firmware or software described in this manual at any time and without notice. While the accompanying material has been carefully reviewed to insure the most accurate information possible, the data are not warranted for absolute accuracy or completeness and are subject to change without notification.

### **Peregrine Semiconductor Corp. Life Support Policy**

Peregrine Semiconductor Corp. products are not intended for use in life-critical situations, or as critical components in life-support devices or systems.

Life-support devices or systems are defined as devices or systems that are intended for surgical implant into the body, or that support or sustain life, and whose failure to perform when used in accordance with the instructions provided by the manufacturer, might result in injury to the user.

### **FCC Compliance Statement**

This device is intended for use only in a research and development environment. It has not been tested for compliance with FCC regulations regarding interference with radio frequency energy. It might cause harmful interference with radio communications. The user assumes responsibility for any interference caused by this device.



# Introduction

## Introduction

This Evaluation Kit is specifically designed for evaluating the PE3342 2.7 GHz Integer-N EEPROM PLL. The Evaluation Kit allows maximum flexibility for optimizing phase noise, spur, lock time and power performance for specific applications. Using the hardware and software provided in the Evaluation Kit, EEPROM mode programming can be demonstrated.

## Applications Support

If you have a problem with your evaluation kit, software, or if you have applications questions call **(858) 455-0660** and ask for applications support.

You may also contact us by fax or e-mail:

Fax: **(858) 455-0770**

E-Mail: **help@peregrine-semi.com**

## FCC Labeling Requirement

This device complies with Part 15 of the FCC Rules. Operation is subject to the following two conditions: (1) this device may cause harmful interference, and (2) this device must accept any interference received including interference that may cause undesired operation.



## Hardware Section

## Evaluation Kit Contents & Requirements

The Evaluation Kit includes all of the specific software and hardware required to evaluate the PE3342. Included in the Evaluation Kit are:

- 1 PE3342 Evaluation Board
- 1 PE3342 2.7 GHz Integer-N EEPROM PLL
- 1 Peregrine CD-ROM
- 4 Jumpers
- 1 26-Wire PSC Universal LPT1 Interface Cable
- 2 2-Wire Power Supply Cables
- 2 4-Wire Power Supply Cable
- 1 Set of Evaluation Kit Data Plots

In order to program the part using EEPROM programming mode the evaluation kit software will need to be installed on a computer with the following minimum requirements:

PC Compatible with Windows™ '95/98/2000

Mouse

Parallel Port

HTML Browser to access CD contents

*CAUTION: The PE3342-EK circuit contains components that might be damaged by exposure to voltages in excess of the specified voltage, including voltages produced by electrostatic discharges. Handle the board in accordance with procedures for handling static-sensitive components. Avoid applying excessive voltages to the power supply terminals or signal inputs or outputs.*

## Evaluation Kit Configuration

The PE3342 Evaluation Board is configured with an on-board VCO, TCXO reference and a second order *active* loop filter. The VCO tuning range is *approximately 190 MHz with middle frequency at 2610+/- 25* for a tuning voltage 0.5 to 4.5 volts. The reference oscillator is 20 MHz. The loop filter is designed for a 1 MHz comparison frequency and a 2600 MHz output frequency with unity gain crossover at 66 kHz, phase margin of 65 degrees and 1.2 dB of peaking. Unless noted, the data provided was measured in this configuration with the default jumper settings shown in Figure 1.

Two jumpers (J5 & J6) configure the Evaluation Board to operate with either the on-board reference oscillator (TCXO) or an external reference applied to J7. Figure 1 shows the proper configuration for utilizing the on-board TCXO reference. J6 in the middle-to-right connection as shown connects the output of the TCXO to the PLL  $f_r$  input, while J5 installed provides power to the TCXO. Do not connect any external reference to J7 if the on-board reference is selected. To use an external reference, place J6 in the middle-to-left connection which connects the PLL  $f_r$  input to the J7 SMA connector and remove the jumper on J5 to power-down the TCXO. Figure 2 shows the configuration of using an external reference.

The default jumper and switch settings are shown in Figure 1, which place the part into EEPROM mode utilizing the on-board reference. Peregrine Semiconductor recommends that the default settings be used initially to bring up the evaluation board and duplicate the enclosed measured data.



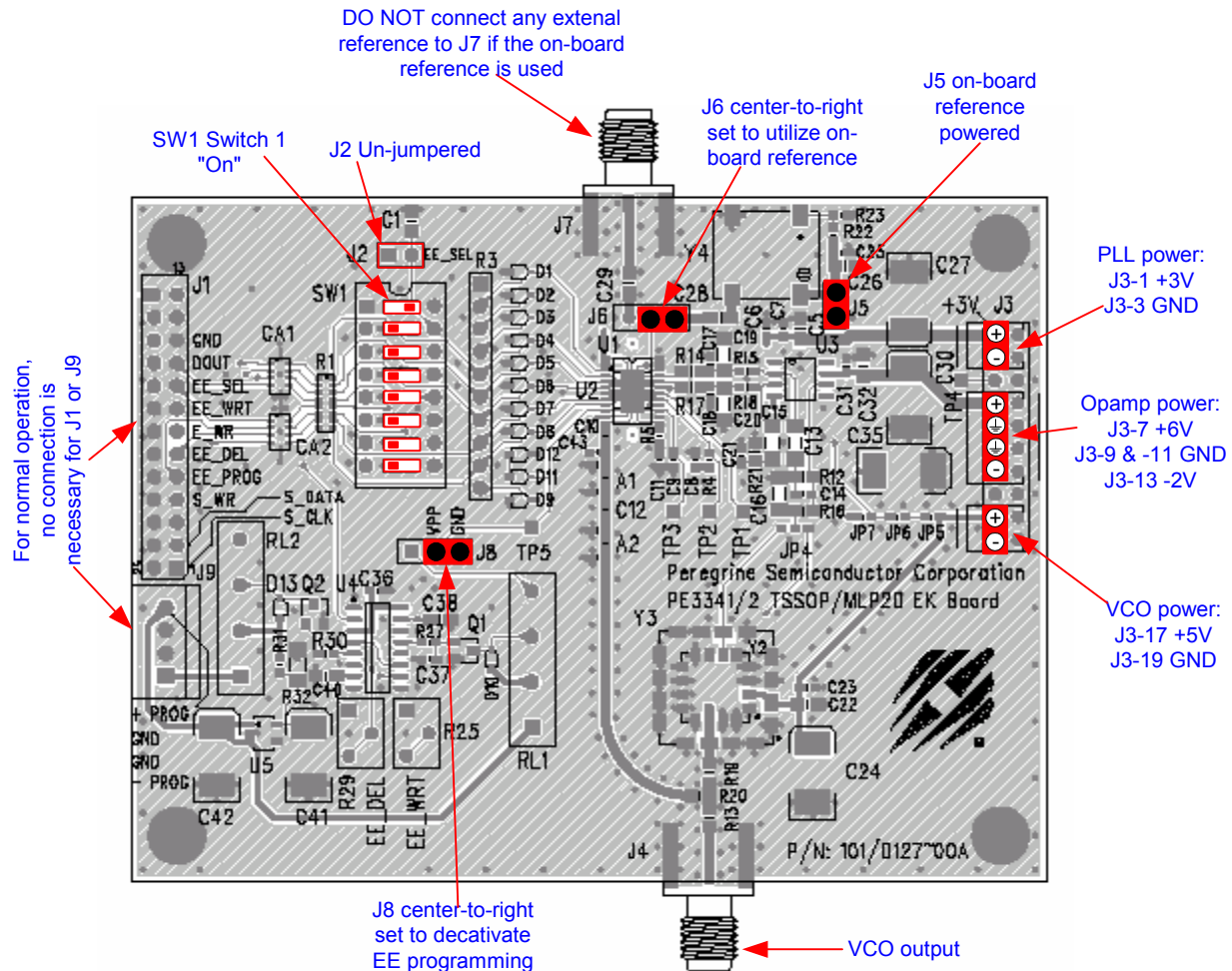


Figure 1. Evaluation Kit Default Jumper & Switch Settings Using on-board Reference.

## Evaluation Kit Setup

1. Verify a jumper is placed on the connector J5 and REF Selector (J6) is positioned in the middle-to-right connection to select the on-board reference as shown in Figure 1.
2. Verify that no jumper is placed on the connector J2; Switch 1 of SW1 is at "ON" position and the rest of the switches are at "OFF" position.
3. Verify that the jumper is at center-to-right connection on the connector J8. This is to prevent VPP from being accidentally activated.
4. Connect power supply cable to the Evaluation Kit board as shown in Figure 1. Note that the red connector of the power cable is always the positive and the black connector is ground in a 2-wire cable or the negative in a 4-wire cable.

Verify all supplies are turned off prior to connecting to evaluation board.

- ➔ Connect the +3 V supply to J3-1 (+) and J3-3 (GND)
- ➔ Connect the +6/-2 V supply to J3-7 (+6V), J3-9 and -11 (GND), and J3-13 (-2V)
- ➔ Connect the +5 V supply to J3-17 (+) and J3-19 (GND)

The PE3342 EEPROM on the evaluation board has been programmed and tested before stocking. No connection to J1 or J9 is necessary for normal operation. To prevent the EEPROM from being accidentally erased or re-programmed, always place a jumper at center-to-right connection on the connector J8 to prevent VPP from being accidentally activated.

5. Turn on the powers to the board.
6. The output of the on-board VCO can be measured by connecting a spectrum analyzer to port J4. Before making modifications to the board, verify and duplicate the performance found in the included plots. Additional GND posts and test points are available on the Evaluation Board for measurement flexibility.
7. Using the application software provided and described in detail in the next section, EEPROM programming can be evaluated.

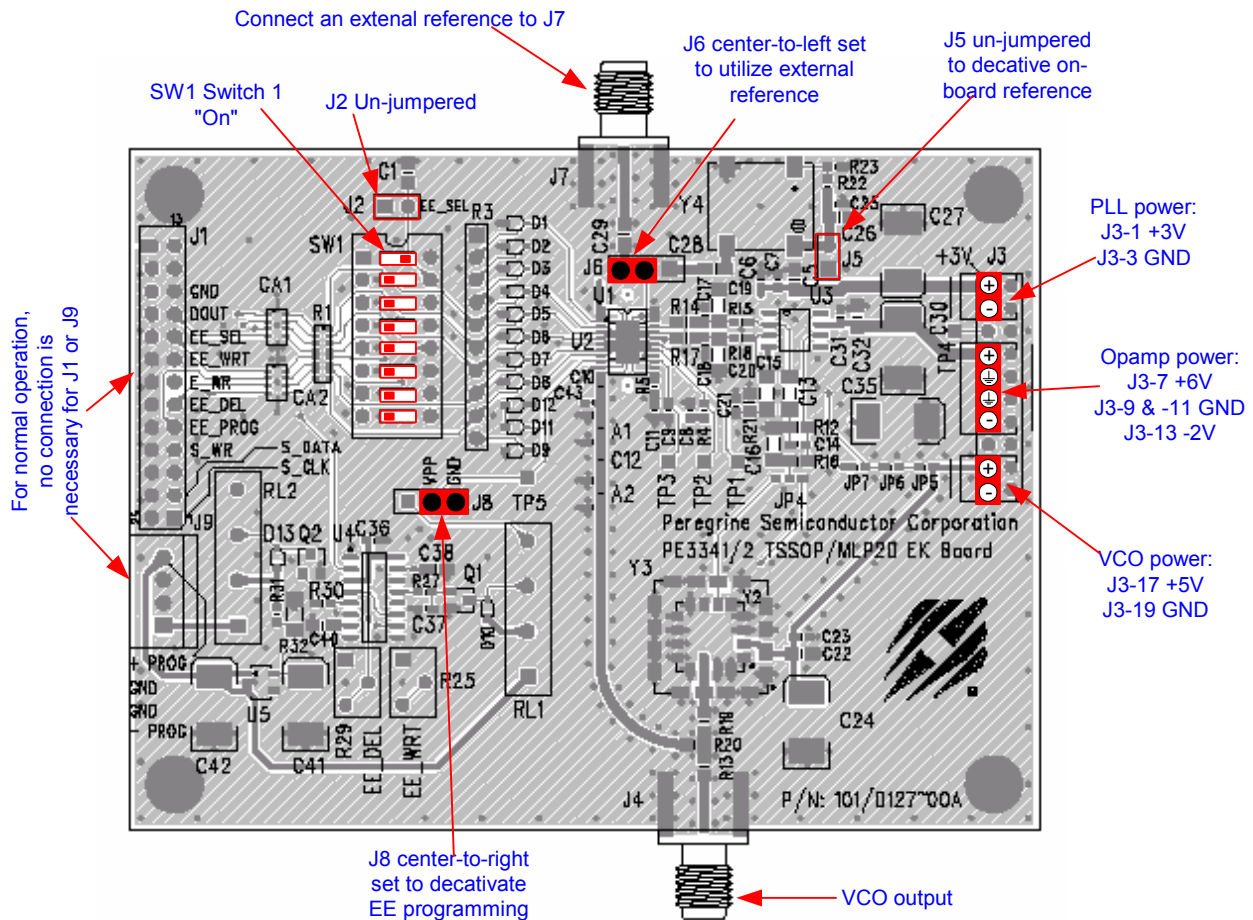


Figure 2. Jumper Setting to Use an External Reference



## **Software Section**

The follow sections are for reprogramming of the EEPROM register. For testing of the factory installed EEPROM setup, the software is not needed. Simply power the board and measure the VCO output on a spectrum analyzer (see “Evaluation Kit Setup” section).

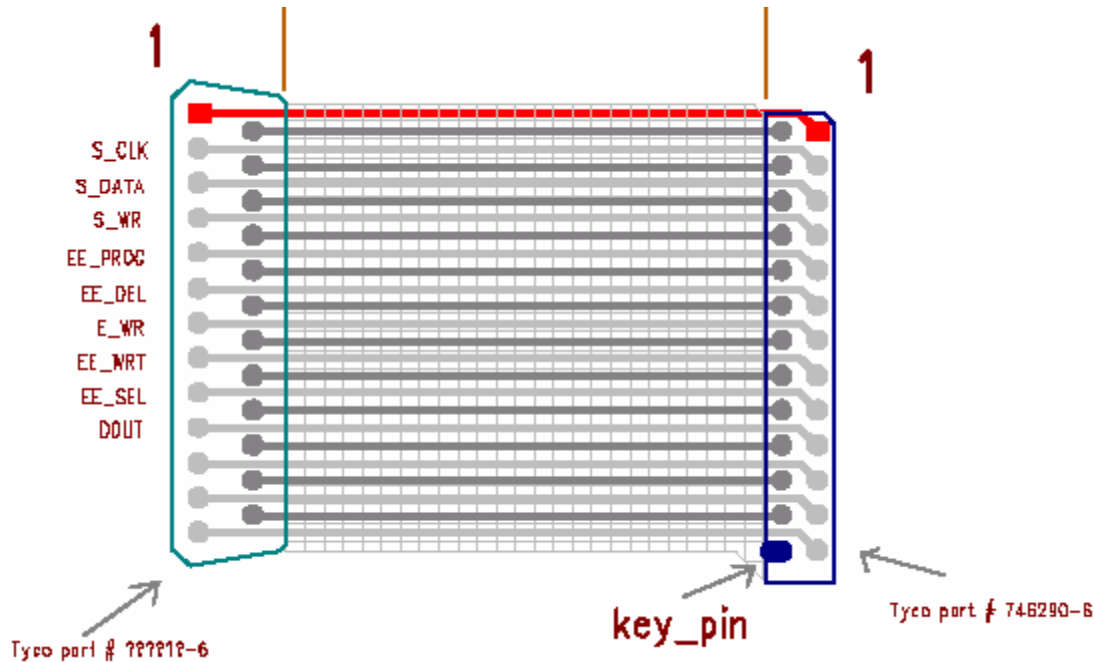
## EEPROM Software Installation Instructions

In order to evaluate the PE3342 EEPROM programming, an EEPROM programming software has to be installed in your computer. Follow the steps below to install the software.

1. Start Microsoft Windows™ ‘95/98/2000
2. If the software comes with a CD or floppy disks, insert the CD to CDROM drive. or the floppy disk 1 to the floppy disk drive. Search and double-click the “setup.exe” file and follow the on-screen instructions to finish installation.
3. If the software doesn’t come with a CD nor floppy disks, follow the steps below.
4. Go to the Peregrine PE3342 product page on our website at: [http://www.peregrine-semi.com/prd\\_pll\\_PE3342.html](http://www.peregrine-semi.com/prd_pll_PE3342.html).
5. Click on the “Software” button under the “Evaluation Kit Documentation” heading.
6. Choose the “Save” option and select where you want to save it on your computer’s hard drive.
7. Once downloaded, navigate to the directory in which you saved the file (it’s called: “Peregrine-EE-PLL-Software.zip”). Double click the file to open it in Winzip (if you don’t have Winzip, download the free version at: <http://www.winzip.com/ddchomea.htm>).
8. Double-click the “setup.exe” file and follow the on-screen instructions to finish installation.

# 26-Wire PSC Universal LPT1 Interface Cable Configuration

The following graph shows the 26-Wire PSC Universal LPT1 Interface Cable configuration.



## Evaluation Kit Configuration for EEPROM Programming

1. Place a jumper on the connector J2 as shown in Figure 3.
2. Set all switches on SW1 to "OFF" position.
3. Connect one end of the 26-Wire PSC Universal LPT1 Interface Cable to the PC parallel port and the other end to the keyed connector J1 on the evaluation board.
4. Connect power supply cables to the Evaluation Kit board as shown in Figure 3. Note that the red connector of the power cable is always the positive and the black connector is ground in a 2-wire cable or the negative in a 4-wire cable.

Verify all supplies are turned off prior to connecting to evaluation board.

➔ Connect the +3 V supply to J3-1 (+) and J3-3 (GND)

➔ Connect the +5 V supply to J3-17 (+) and J3-19 (GND)

➔ Connect the +6/-2 V supply to J3-7 (+6V), J3-9 and -11 (GND), and J3-13 (-2V)

➔ Connect the +13/-9 power supply to J9-4 (+13V), J9-3 and J9-2 (GND), and J9-1 (-9 V)

5. Turn on powers to the board

6. Re-position the jumper on the connector J8 to the left-to-center position.

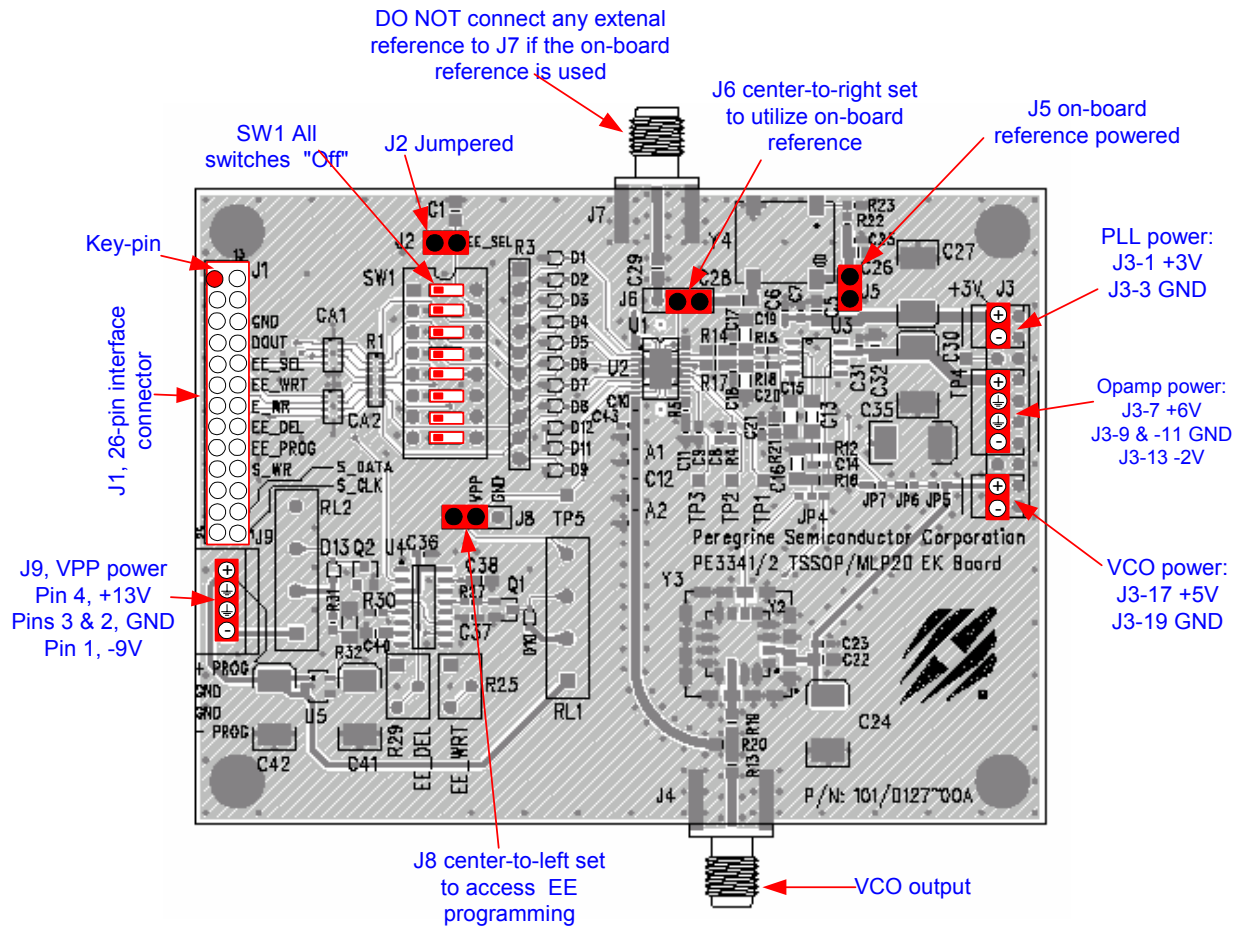


Figure 3. Jumper Setting for EEPROM Programming.

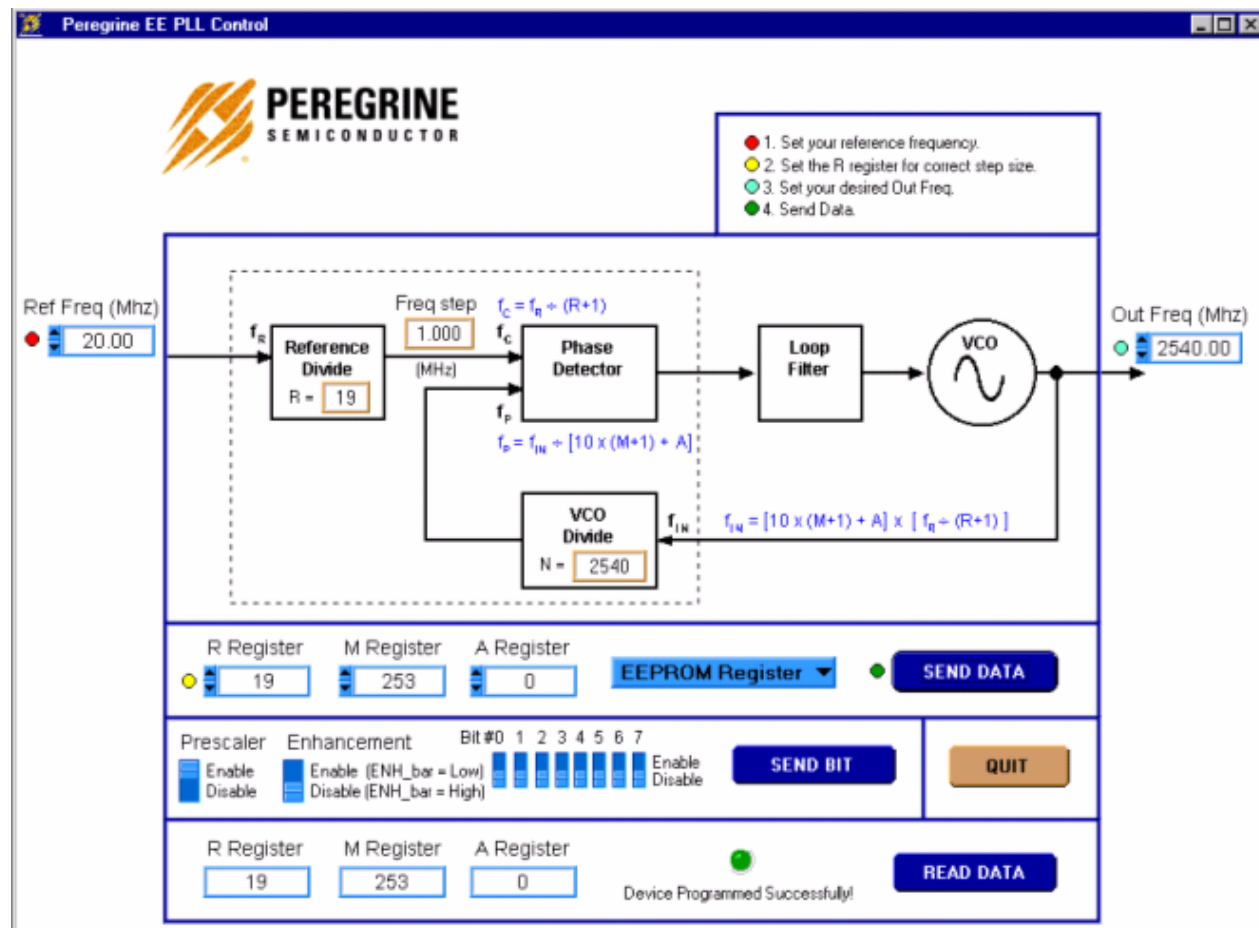
## Reprogramming the EEPROM

With the EE Programming kit set up completed as described in the previous section, the follow steps are for programming of the EEPROM register.

Step 1: Start the "Peregrine EE PLL Control Software" program. Figure 4 shows one example of the screen.

Step 2: .Verify the “EEPROM Register” is displayed in the drop down menu in the middle section.

Step 3: Enter reference frequency (crystal frequency) value in MHz into the Ref Freq box (marked by red dot at left)



- ➔ Light blue number boxes identify user defined program states and can be modified by utilizing the arrows next to the boxes or clicking into the box and typing the appropriate value. Either clicking on the light blue switches or typing the counter variable into the text box can program the registers.
- ➔ Programming of the secondary or EEPROM register is selected by the light blue pull down box. Note: EEPROM register is the default selection. Do not change it.
- ➔ The prescaler enabled or disabled can be selected by the light blue Prescaler switch. “Enable” is the default selection.
- ➔ The enhancement mode enable function is currently unavailable.
- ➔ Data is sent to the evaluation board by clicking the dark blue “SEND DATA” button.

Figure 4. Example of EEPROM Programming Software Screen.

- Step 4: Set reference counter (R counter) to the desired value by entering it into the R Register box in the middle left side (marked by yellow dot at left). Note that the numbers in the orange boxes are computed values and cannot be directly typed in.
- Step 5: Verify “frequency step” (which is also called phase detector frequency) is at the desired value.
- Step 6: Verify that the Prescaler switch is in the default position “Enable” for a normal operation. Switch it to “Disable” position if the prescaler is to be bypassed (disabled).
- Step 7: Set the VCO frequency to the appropriate value by typing it into the “Out Freq (MHz)” box. Once the frequency value is entered into the box, the corresponded M and A register values are displayed in the “M Register” and “A Register” Boxes, respectively. Instead of entering the frequency value into the “Out Freq (MHz)” box, the frequency can also be changed by entering M register and A register values into the “M Register” and “A Register” boxes directly.
- Step 8: Click the “SEND DATA” button to send data to the PLL.
- Step 9: The program will automatically read back the R, M and A Register values and display them in the bottom section. If the EEPROM is programmed successfully, a message “Device Programmed Successfully!” with a green dot will display in the bottom section as shown in Fig. 4. Otherwise, if any of the read back values is different from the programmed value, a message “Device Programming Failed!” with a red dot will display as shown in Fig. 5. This feature can be used to read back the R, M and A Register values of a previous programmed part. To do this, just complete the previous section “Evaluation Kit Configuration for EEPROM Programming” and Steps 1 and 2 of this section and then click the “READ DATA” button in the right bottom corner. The “READ DATA” function will read back and display the R, M and A Register values of a previous programmed part without showing other message.
- Step 10: Once the EEPROM has been programmed, return jumper J8 to the center-to-right position. This is to ensure that the EEPROM register data is not corrupted by an inadvertent load.
- Step 11: Remove jumper J2 to select EEPROM register.
- Step 12: Move Switch 1 of SW1 to the “On” position.
- Step 13: Verify on the spectrum analyzer that the part locks to the desired frequency (J1 and J9 can be disconnected from the cables or remained connected for this operation).
- Step 14: To exit the program, click the “QUIT” button.



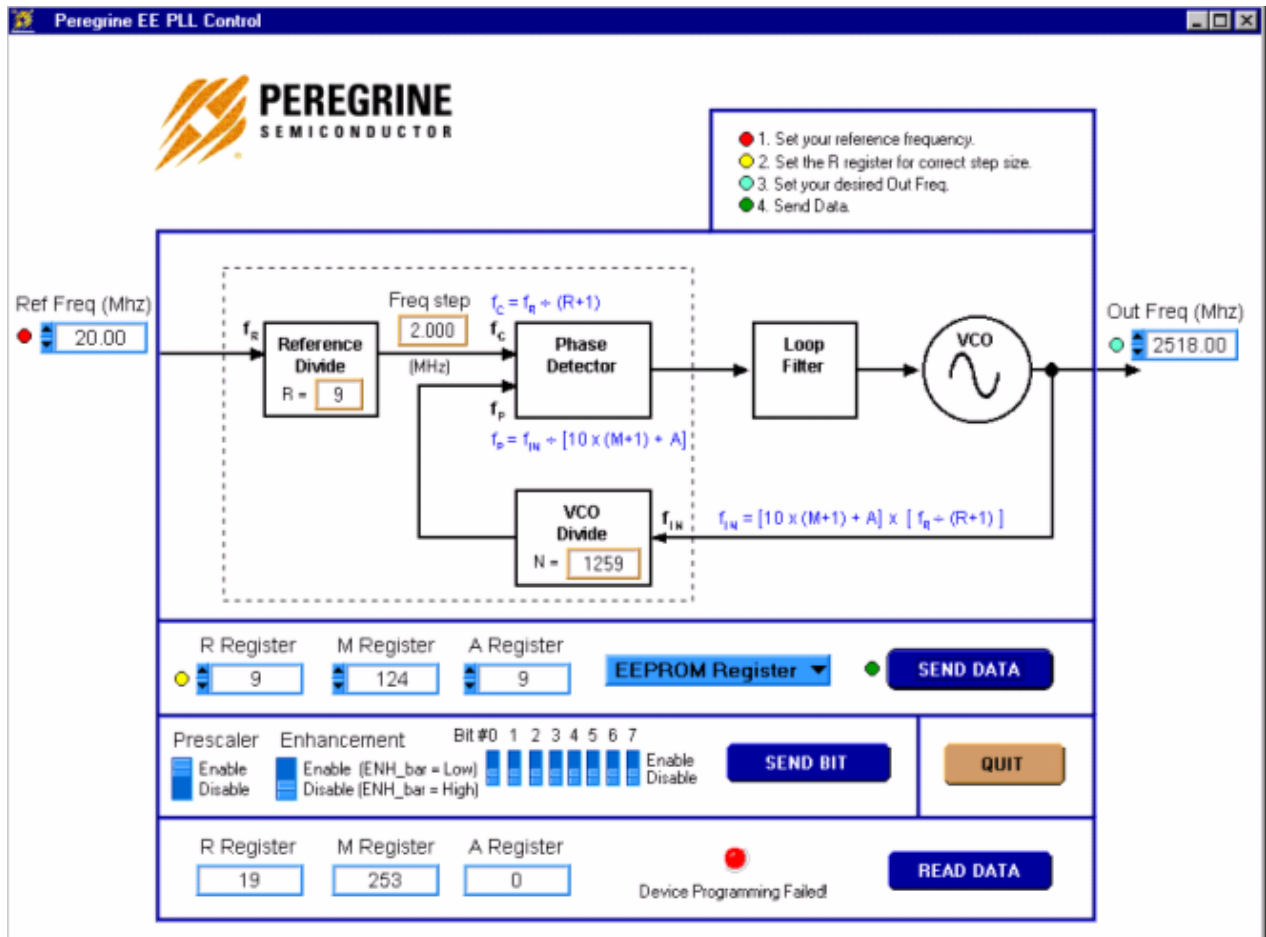


Figure 5. Example of EEPROM Programming Software Screen when programming failed.

SUNSTAR 商斯达实业集团是集研发、生产、工程、销售、代理经销、技术咨询、信息服务等为一体的高科技企业，是专业高科技电子产品生产厂家，是具有 10 多年历史的专业电子元器件供应商，是中国最早和最大的仓储式连锁规模经营大型综合电子零部件代理分销商之一，是一家专业代理和分销世界各大品牌 IC 芯片和电子元器件的连锁经营综合性国际公司，专业经营进口、国产名厂名牌电子元件，型号、种类齐全。在香港、北京、深圳、上海、西安、成都等全国主要电子市场设有直属分公司和产品展示展销窗口门市部专卖店及代理分销商，已在全国范围内建成强大统一的供货和代理分销网络。我们专业代理经销、开发生产电子元器件、集成电路、传感器、微波光电元器件、工控机/DOC/DOM 电子盘、专用电路、单片机开发、MCU/DSP/ARM/FPGA 软件硬件、二极管、三极管、模块等，是您可靠的一站式现货配套供应商、方案提供商、部件功能模块开发配套商。商斯达实业公司拥有庞大的资料库，有数位毕业于著名高校——有中国电子工业摇篮之称的西安电子科技大学（西军电）并长期从事国防尖端科技研究的高级工程师为您精挑细选、量身订做各种高科技电子元器件，并解决各种技术问题。

微波光电部专业代理经销高频、微波、光纤、光电元器件、组件、部件、模块、整机；电磁兼容元器件、材料、设备；微波 CAD、EDA 软件、开发测试仿真工具；微波、光纤仪器仪表。欢迎国外高科技微波、光纤厂商将优秀产品介绍到中国、共同开拓市场。长期大量现货专业批发高频、微波、卫星、光纤、电视、CATV 器件：晶振、VCO、连接器、PIN 开关、变容二极管、开关二极管、低噪晶体管、功率电阻及电容、放大器、功率管、MMIC、混频器、耦合器、功分器、振荡器、合成器、衰减器、滤波器、隔离器、环行器、移相器、调制解调器；光电子器件和组件：红外发射管、红外接收管、光电开关、光敏管、发光二极管和发光二极管组件、半导体激光二极管和激光器组件、光电探测器和光接收组件、光发射接收模块、光纤激光器和光放大器、光调制器、光开关、DWDM 用光发射和接收器件、用户接入系统光收发器件与模块、光纤连接器、光纤跳线/尾纤、光衰减器、光纤适配器、光隔离器、光耦合器、光环行器、光复用器/转换器；无线收发芯片和模组、蓝牙芯片和模组。

更多产品请看本公司产品专用销售网站：

商斯达微波光电产品网：[HTTP://www.rfoe.net/](http://www.rfoe.net/)

商斯达中国传感器科技信息网：<http://www.sensor-ic.com/>

商斯达工控安防网：<http://www.pc-ps.net/>

商斯达电子元器件网：<http://www.sunstare.com/>

商斯达消费电子产品网：<http://www.icasic.com/>

商斯达实业科技产品网：<http://www.sunstars.cn/> 射频微波光电元器件销售热线：

地址：深圳市福田区福华路福庆街鸿图大厦 1602 室

电话：0755-83396822 83397033 83398585 82884100

传真：0755-83376182 (0) 13823648918 MSN: SUNS8888@hotmail.com

邮编：518033 E-mail: [szss20@163.com](mailto:szss20@163.com) QQ: 195847376

深圳赛格展销部：深圳华强北路赛格电子市场 2583 号 电话：0755-83665529 25059422

技术支持：0755-83394033 13501568376

欢迎索取免费详细资料、设计指南和光盘；产品凡多，未能尽录，欢迎来电查询。

北京分公司：北京海淀区知春路 132 号中发电子大厦 3097 号

TEL: 010-81159046 82615020 13501189838 FAX: 010-62543996

上海分公司：上海市北京东路 668 号上海赛格电子市场 D125 号

TEL: 021-28311762 56703037 13701955389 FAX: 021-56703037

西安分公司：西安高新开发区 20 所(中国电子科技集团导航技术研究所)

西安劳动南路 88 号电子商城二楼 D23 号

TEL: 029-81022619 13072977981 FAX: 029-88789382