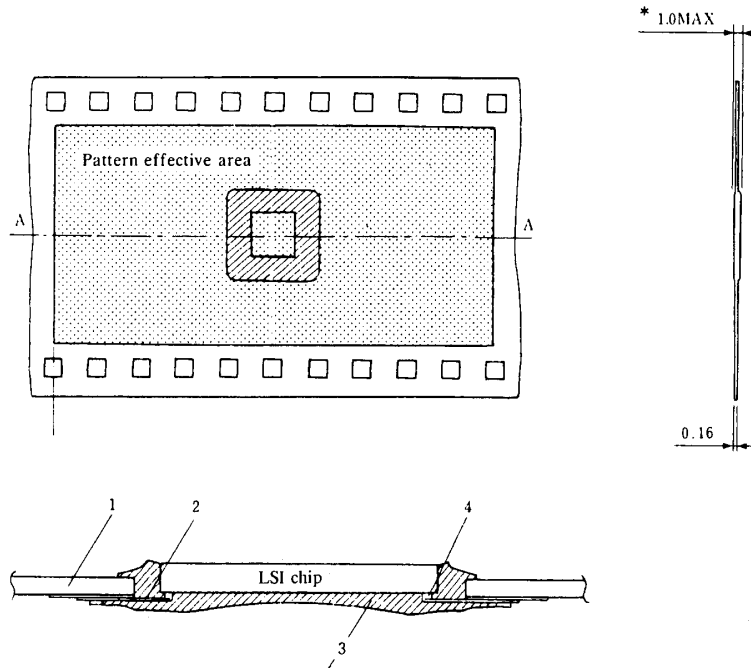


• TCP (Standard)

(1) Structure



AA expansion sketch of cross section

Structural specification

(Note)

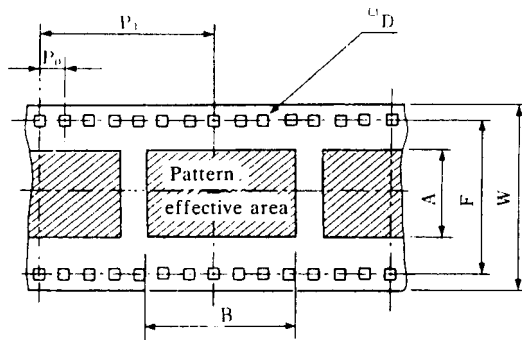
- 1) * Size indicates resin thickness included
- 2) Tape rolling length is 20m long

| | Name | Material |
|---|----------------------------|--|
| 1 | Basefilm | Polyimide |
| 2 | Conductive body Plating | Cu. thin film Electroless tin plating |
| 3 | Sealing Material | Epoxi type |
| 4 | Bump | Gold |

(2) Standard Form of Shipping Out

1. Tape dimensions

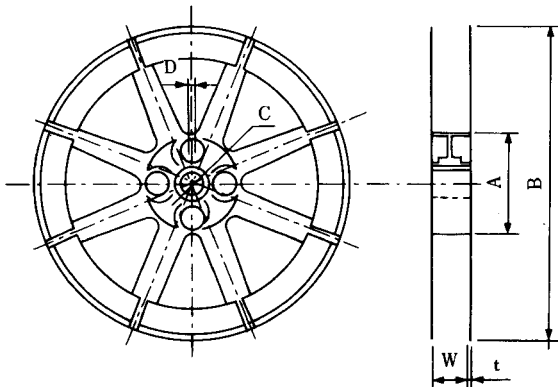
Unit : mm



| Symbol | Tape | | Remark |
|----------------|-----------|-----------|----------------|
| | 35mm WIDE | 70mm WIDE | |
| A | 24.8 MAX | 59.0 MAX | Effective area |
| B | 60.0 MAX | 66.5 MAX | Effective area |
| D | 1.981 | 1.981 | |
| F | 28.977 | 63.979 | |
| P ₀ | 4.75 | 4.75 | |
| P ₁ | 61.75 MAX | 33.25 MAX | |
| W | 34.975 | 69.95 | |

2. Reel dimensions

Unit : mm

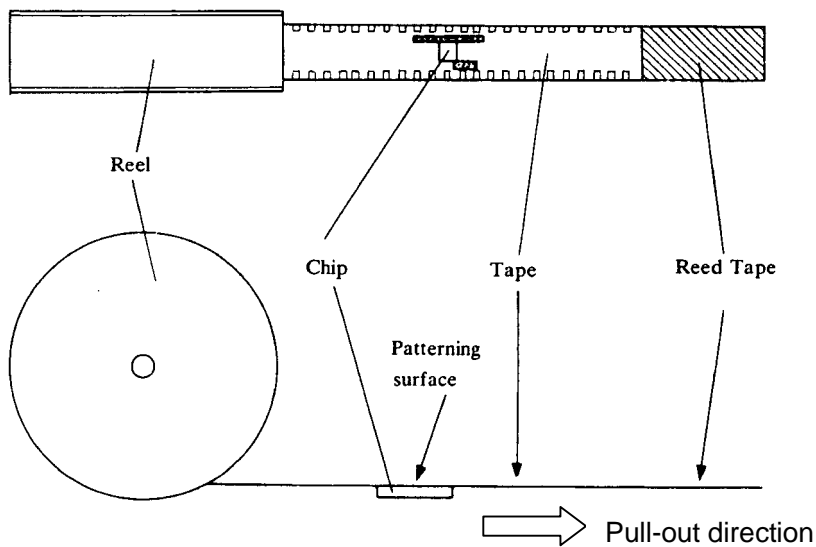
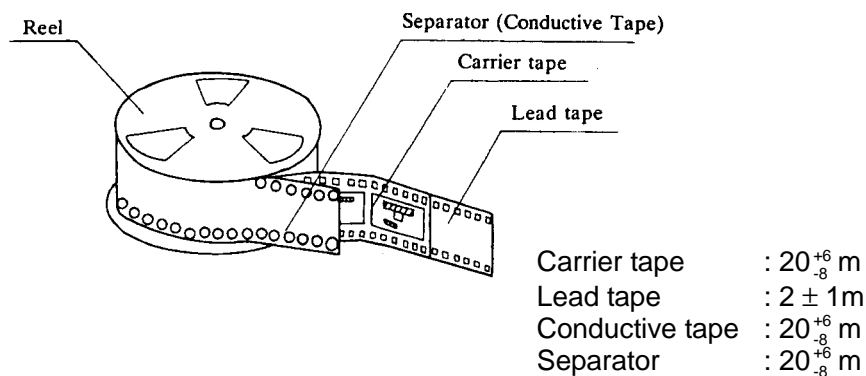


| Symbol | Tape | |
|--------|------------|------------|
| | 35mm WIDE | 70mm WIDE |
| A | ∅330 | ∅330 |
| B | ∅105 | ∅105 |
| C | ∅25.9 | ∅25.9 |
| D | 4.0 ± 0.2 | 4.0 ± 0.2 |
| W | 37.0 ± 0.5 | 72.0 ± 0.5 |
| t | 2.5 MAX | 2.5 MAX |

* Material : Styrol
(Prevention of electrification)

TCP DIMENSIONS

3. Taping Specification



| Name | Number of Contained | Tape | | Material |
|-------------|---------------------|-----------------------------------|-----------------------------------|---|
| | | 35mm WIDE | 70mm WIDE | |
| Reel | - | Size $\text{Ø}330 \times 23^W$ | Size $\text{Ø}330 \times 77^W$ | Styrol |
| Outer box | 1 Reel | $343 \times 336 \times 50$ | $343 \times 336 \times 85$ | Cardboard |
| Package bag | 1 Reel | $440 \times 480 \times 0.08$ | $440 \times 480 \times 0.08$ | Sheet for prevention of electrification |

