

LOW VOLTAGE C-MOS OPERATIONAL AMPLIFIER

■ GENERAL DESCRIPTION

The NJU7001, 02 and 04 are single, dual and quad C-MOS Operational Amplifiers operated on a single-power-supply, low voltage and low operating current.

The minimum operating voltage is 1V and the output stage permits output signals to swing between both of the supply rails.

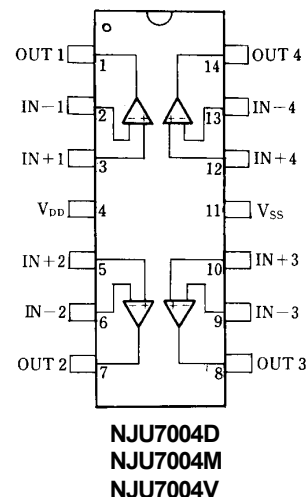
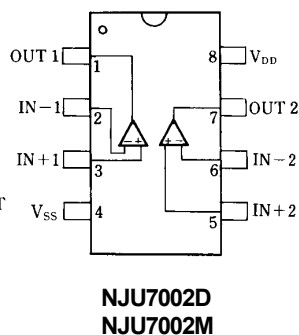
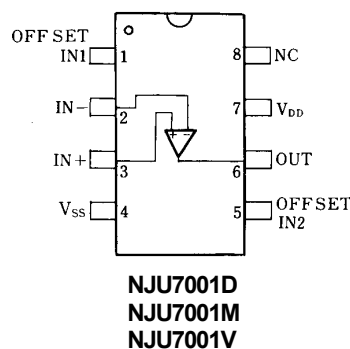
The input bias current is as low as less than 1pA, consequently the very small signal around the ground level can be amplified.

Furthermore, the operating current is also as low as 15µA (typ) per circuit, therefore it can be applied especially to battery-operated items.

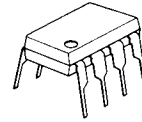
■ FEATURES

- Single-Power-Supply
- Wide Operating Voltage ($V_{DD}=1\sim 16V$)
- Wide Output Swing Range ($V_{OM}=2.94V$ typ.at $V_{DD}=3V$)
- Low Operating Current ($15\mu A/circuit$)
- Low Bias Current ($I_B=1pA$)
- Internal Compensation Capacitor
- External Offset Null Adjustment (Only NJU7001)
- Package Outline
 DIP/DMP/SSOP8 (NJU7001)
 DIP/DMP8 (NJU7002)
 DIP/DMP/SSOP14 (NJU7004)
- C-MOS Technology

■ PIN CONFIGURATION



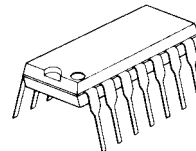
■ PACKAGE OUTLINE



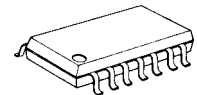
**NJU7001U
NJU7002U**



**NJU7001M
NJU7002M**



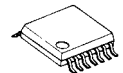
NJU7004D



NJU7004M

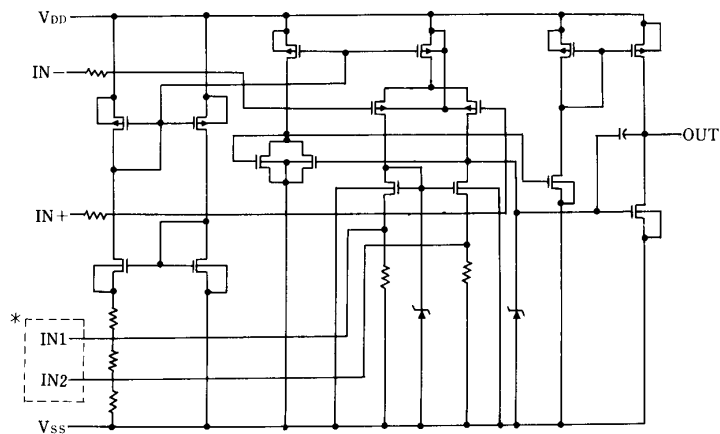


NJU7001V



NJU7004V

■ EQUIVALENT CIRCUIT



*The terminals IN1, IN2 are only for NJU7001 (NJU7002/7004 don't have these terminals).

■ ABSOLUTE MAXIMUM RATINGS

(Ta=25°C)

| PARAMETER | SYMBOL | RATINGS | UNIT |
|-----------------------------|-----------|--|------|
| Supply Voltage | V_{DD} | 18 | V |
| Differential Input Voltage | V_{ID} | ± 18 (note) | V |
| Common Mode Input Voltage | V_{IC} | -0.3~+18 | V |
| Power Dissipation | P_D | (DIP14) 700 (DIP8) 500 (DMP8,14) 300 (SSOP8,14) 300 | mW |
| Operating Temperature Range | T_{opr} | -20~+75 | °C |
| Storage Temperature Range | T_{stg} | -40~+125 | °C |

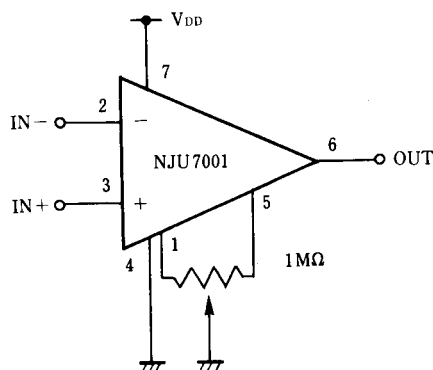
(note) If the supply voltage (V_{DD}) is less than 18V, the input voltage must not over the V_{DD} level though 18V is limit specified.

■ ELECTRICAL CHARACTERISTICS

(Ta=25°C, $V_{DD}=3V, R_L=\infty$)

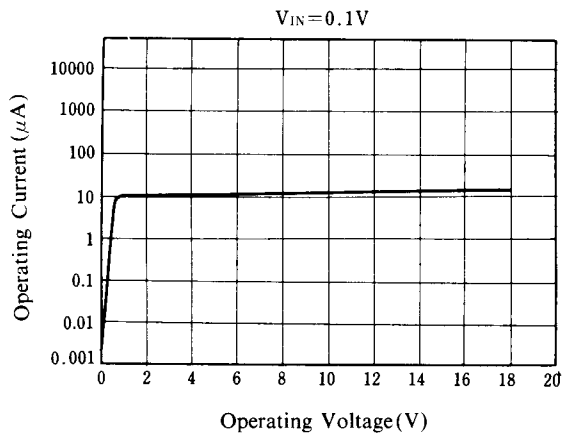
| PARAMETER | SYMBOL | TEST CONDITION | MIN. | TYP. | MAX. | UNIT |
|---------------------------------|-----------|----------------------|------|------|------|------------|
| Input Offset Voltage | V_{IO} | $R_S=50\Omega$ | - | - | 10 | mV |
| Input Offset Current | I_{IO} | | - | 1 | - | pA |
| Input Bias Current | I_{IB} | | - | 1 | - | pA |
| Input Impedance | R_{IN} | | - | 1 | - | TΩ |
| Large Signal Voltage Gain | A_V | | 80 | 90 | - | dB |
| Input Common Mode Voltage Range | V_{ICM} | | 0~2 | - | - | V |
| Maximum Output Swing Voltage | V_{OM} | $R_L=1M\Omega$ | 2.90 | 2.94 | - | V |
| Common Mode Rejection Ratio | CMR | | 60 | 70 | - | dB |
| Supply Voltage Rejection Ratio | SVR | | 60 | 70 | - | dB |
| Operating Current/Circuit | I_{DD} | | - | 15 | 25 | μA |
| Slew Rate | SR | | - | 0.05 | - | V/ μs |
| Unity Gain Bandwidth | F_t | $A_V=40dB, C_L=10pF$ | - | 0.1 | - | MHz |

■ OFFSET ADJUSTMENT CIRCUIT (Only for NJU7001)

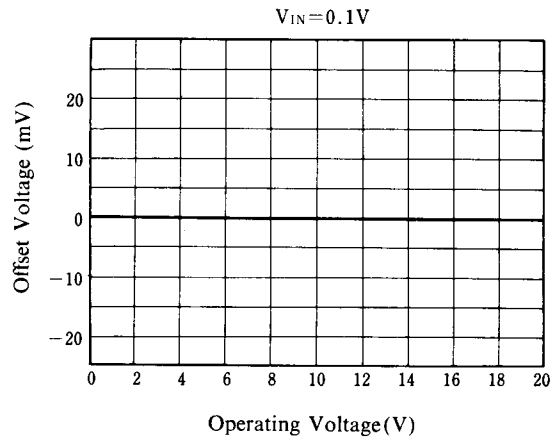


■ TYPICAL CHARACTERISTICS

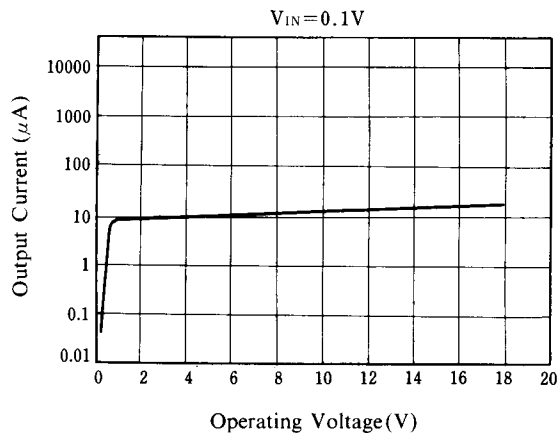
Operating Current vs. Operating Voltage



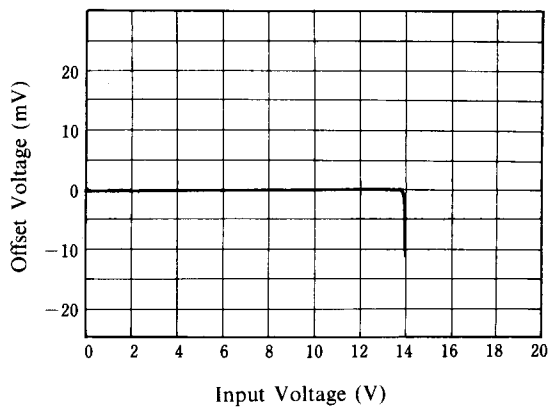
Offset Voltage vs. Operating Voltage



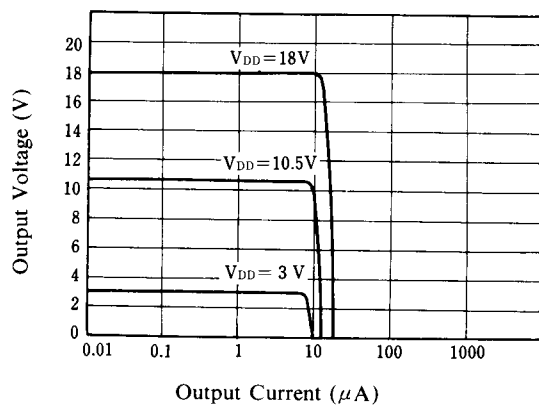
Output Current vs. Operating Voltage



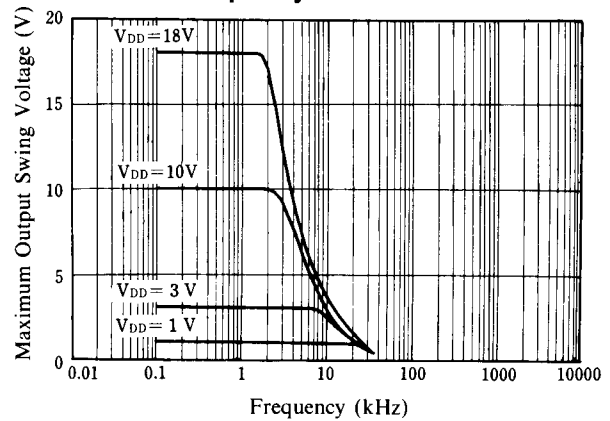
Offset Voltage vs. Input Voltage



Output Voltage vs. Output Current

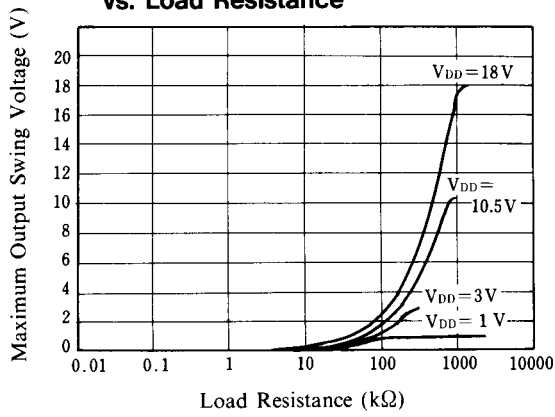


Maximum Output Swing Voltage vs. Frequency

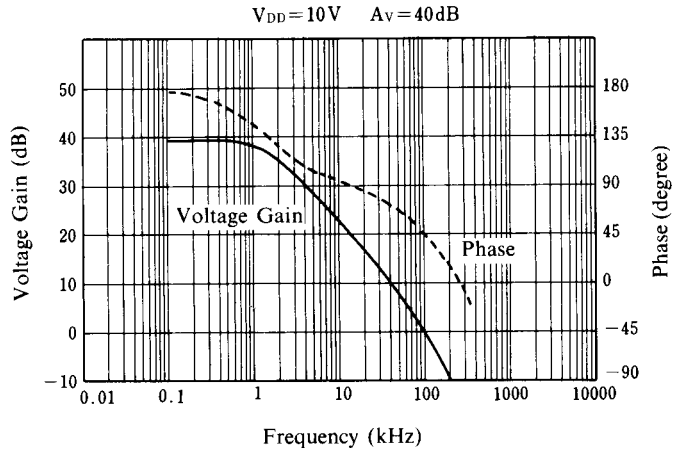


■ TYPICAL CHARACTERISTICS

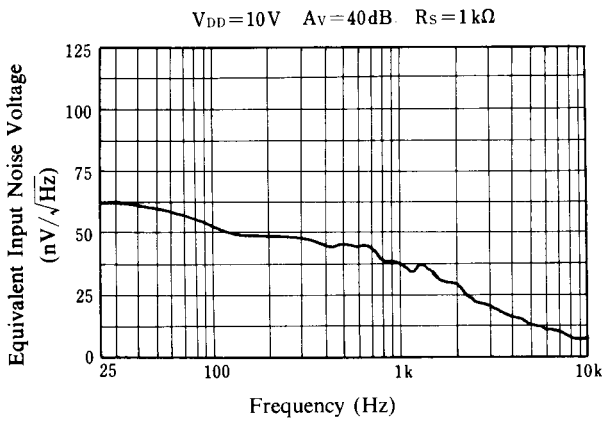
Maximum Output Swing Voltage vs. Load Resistance



Voltage Gain • Phase vs. Frequency



Equivalent Input Noise Voltage vs. Frequency



[CAUTION]
 The specifications on this databook are only given for information, without any guarantee as regards either mistakes or omissions. The application circuits in this databook are described only to show representative usages of the product and not intended for the guarantee or permission of any right including the industrial rights.