

Low Dropout Voltage Regulator with Reset

■ GENERAL DISCRIPTION

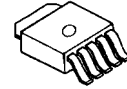
The NJM2807 is a low dropout voltage regulator with reset function.

It provides up to 500mA of logic supply, and the reset function monitors input voltage of the regulator with 1% accuracy. It is suitable for local power supply and reset for small micro controller and other logic chips.

■ FEATURES

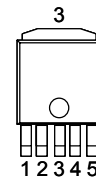
- Output Voltage Accuracy $V_o \pm 1.0\%$
- Reset Voltage Accuracy $V_{RT} \pm 1.0\%$
- Reset Hold Time $t_d = 10mS \pm 1.0mS$
- Ripple Rejection 75dB typ. (f=1kHz)
- Quiescent Current $I_Q = 330\mu A$ (typ.)
- Output Voltage Monitor type
- Open Collector Output
- Internal Short Circuit Current Limit
- Internal Thermal Overload Protection
- Bipolar Technology
- Package Outline TO-252-5

■ PACKAGE OUTLINE



NJM2807DL2

■ PIN CONFIGURATION



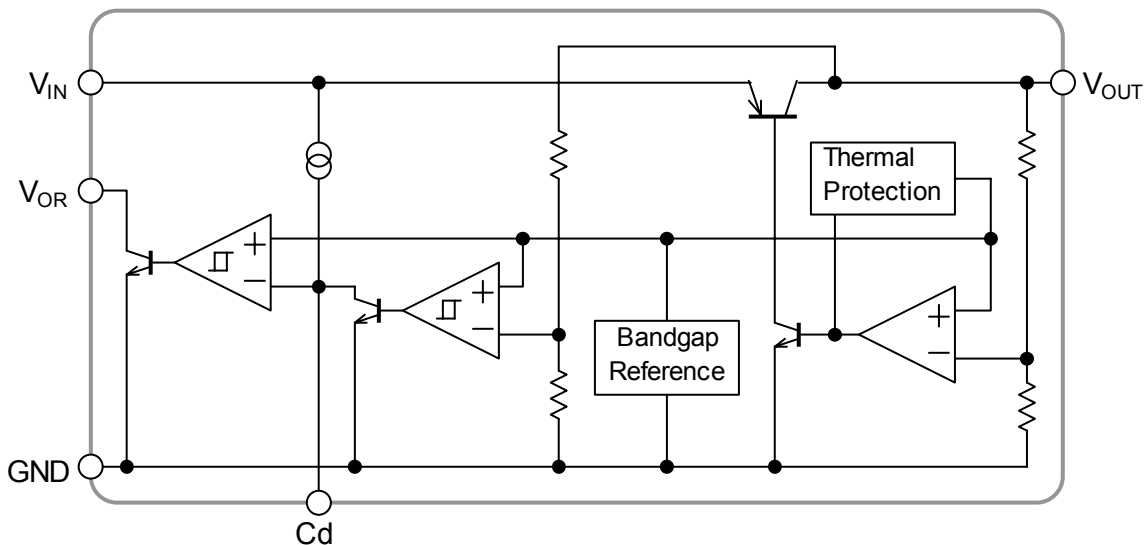
1. V_{OR}
2. V_{IN}
3. GND
4. V_{OUT}
5. Cd

NJM2807DL2

■ OUTPUT VOLTAGE/ DETECTION VOLTAGE

Device Name	Output Voltage	Detection Voltage
NJM2807DL2-0543	5.0V	4.3V

■ EQUIVALENT CIRCUIT



NJM2807

■ ABSOLUTE MAXIMUM RATINGS (Ta=25°C)

PARAMETER	SYMBOL	RATINGS	UNIT
Input Voltage	V _{IN}	+14	V
Power Dissipation	P _D	8 (Tc=25°C)	W
		0.8(Ta≤25°C)	
Operating Temperature	Topr	-40~+85	°C
Storage Temperature	Tstg	-40~+125	°C

■ ELECTRICAL CHARACTERISTICS

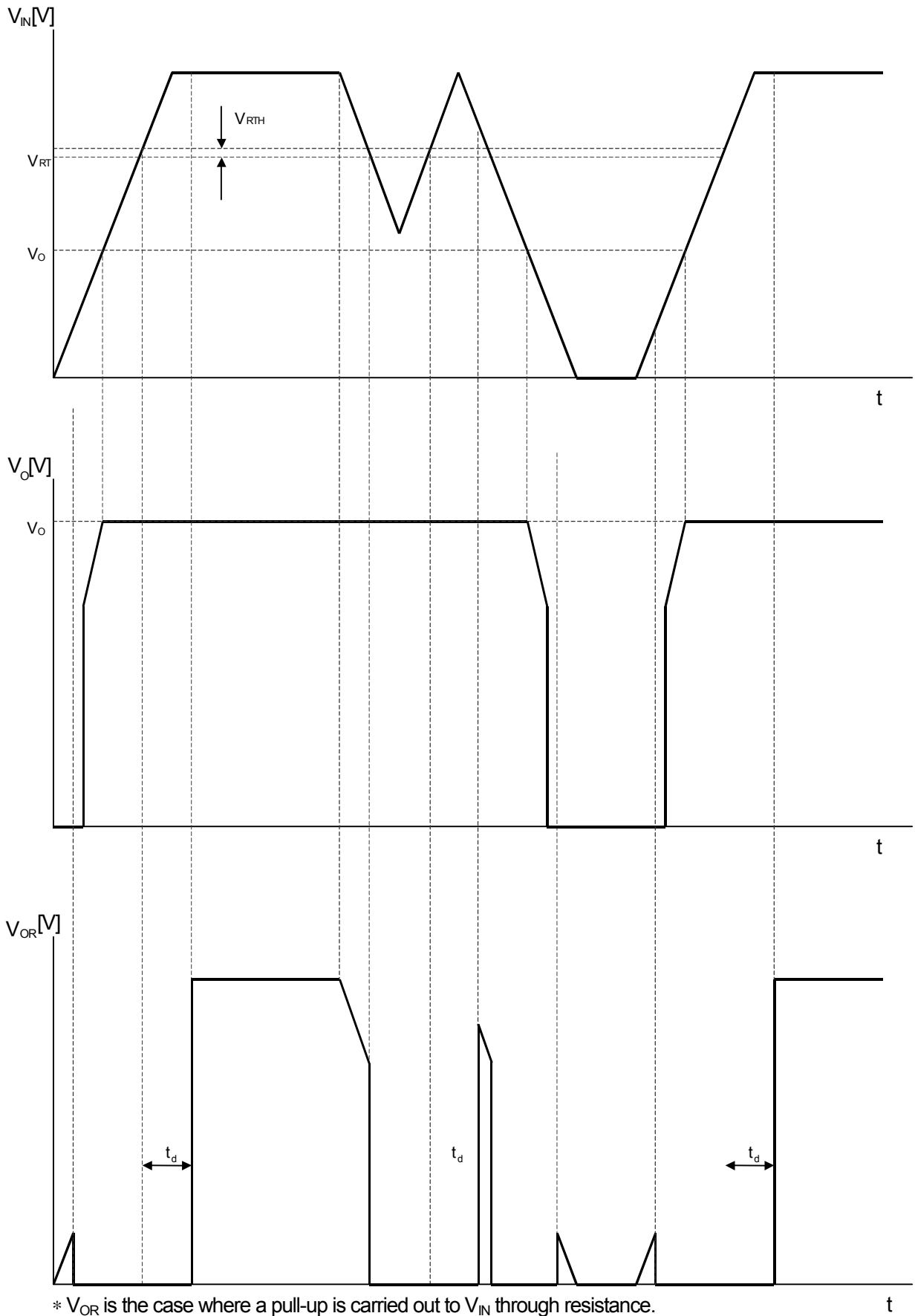
(V_{IN}=V_o+1V, C_{IN}=0.1μF, C_o=2.2μF (C_o=4.7μF: V_o≤2.6V) Ta=25°C)

PARAMETER	SYMBOL	TEST CONDITION	MIN.	TYP.	MAX.	UNIT
Quiescent Current	I _Q	V _{IN} =V _o +2V, I _o =0mA	-	330	430	μA
Regulator Block						
Output Voltage	V _o	I _o =30mA	-1.0%	-	+1.0%	V
Output Current	I _o	V _o -0.3V	500	650	-	mA
Line Regulation	ΔV _o /ΔV _{IN}	V _{IN} =V _o +1V~V _o +6.0V, I _o =30mA	-	-	0.10	%/V
Load Regulation	ΔV _o /ΔI _o	I _o =0~500mA	-	-	0.03	%/mA
Dropout Voltage	ΔV _{I, O}	I _o =300mA	-	0.18	0.28	V
Ripple Rejection	RR	e _{in} =200mVrms, f=1kHz, I _o =10mA, V _o =3.0V Version	-	75	-	dB
Output Voltage Temperature Coefficient	ΔV _o /ΔT	Ta=0~85°C, I _o =10mA	-	±50	-	ppm/°C
Output Noise Voltage	V _{NO}	f=10Hz~100kHz, I _o =10mA, V _o =3.0V Version	-	45	-	μVrms
Reset Block						
Voltage Detection	V _{RT}	V _{IN} =H→L	-1.0%	-	+1.0%	V
Hysteresis Voltage	V _{RTH}	V _{IN} =H→L→H	V _{RT} ×3	V _{RT} ×5	V _{RT} ×8	mV
Low Level Output Voltage	R _{ORL}	V _{IN} =V _{RT} -0.5V, R _L =100kΩ	-	100	300	mV
Output Leak Current	I _{ORH}	V _{IN} =V _{RT} +0.5V	-	-	0.1	μA
On time Output Current	I _{ORL}	V _{IN} =V _{RT} -0.5V, R _L =0Ω	5	-	-	mA
Reset Output Delay Time	t _d	V _{IN} =(V _{RT} -0.5V)→(V _{RT} +0.5V), C _d =0.1μF	9	10	11	mS
Operation Voltage Limit	V _{OPL}	V _{ORL} =0.4V	-	0.9	-	V

(*note 1) The above specification is a common specification for all output voltages.

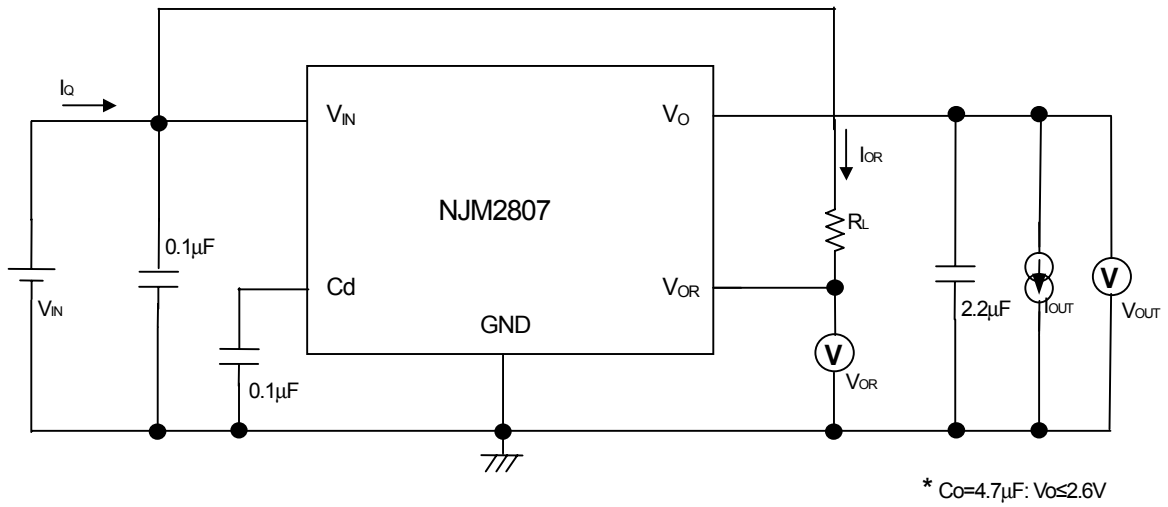
Therefore, it may be different from the individual specification for a specific output voltage.

■ TIMING CHART

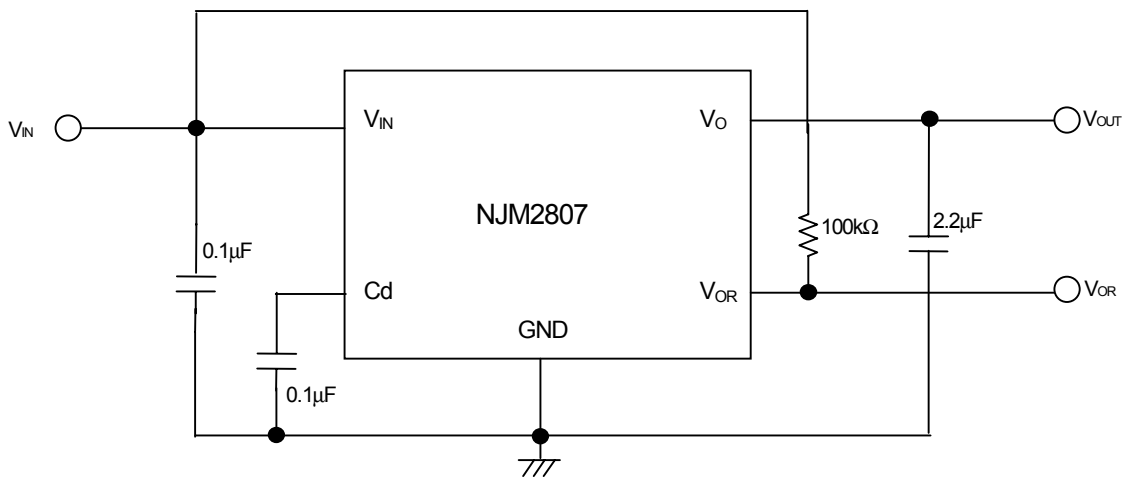


NJM2807

TEST CIRCUIT



TYPICAL APPLICATIONS



[CAUTION]

The specifications on this databook are only given for information, without any guarantee as regards either mistakes or omissions. The application circuits in this databook are described only to show representative usages of the product and not intended for the guarantee or permission of any right including the industrial rights.