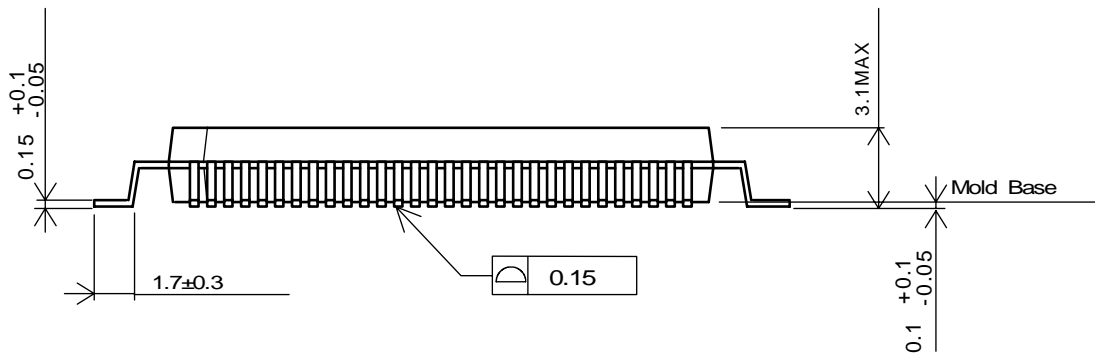
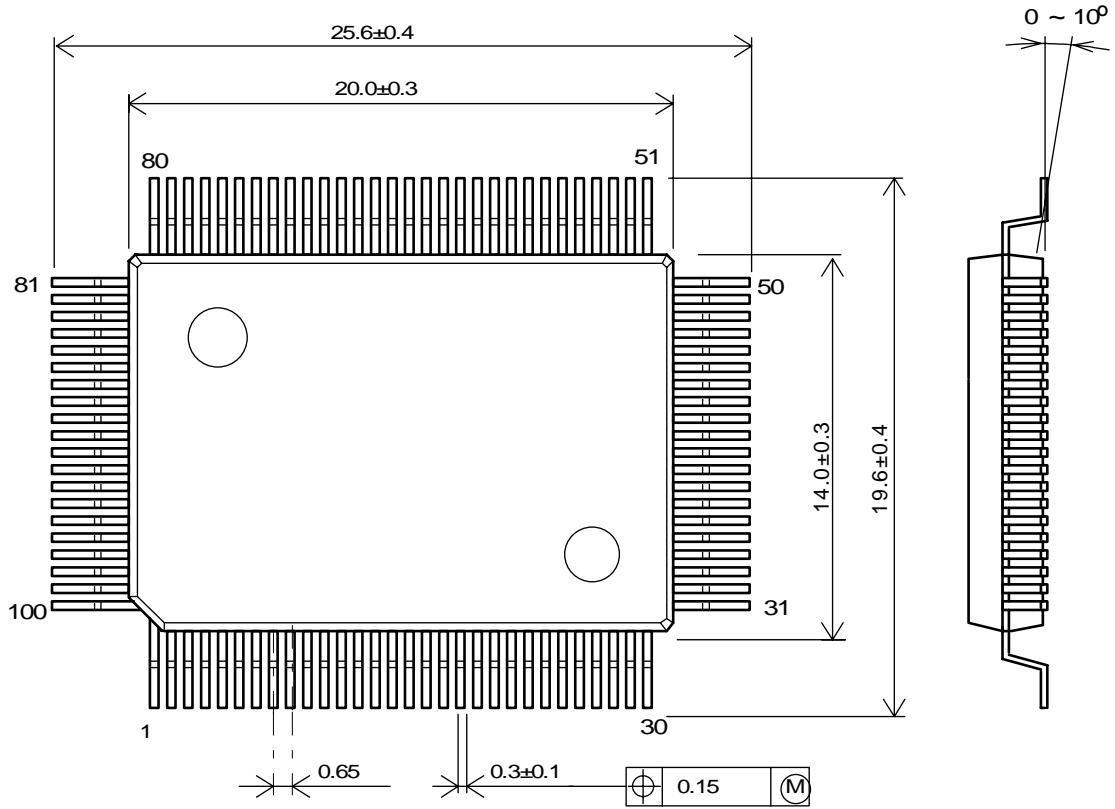


QFP100-C1 (2)



UNIT : mm