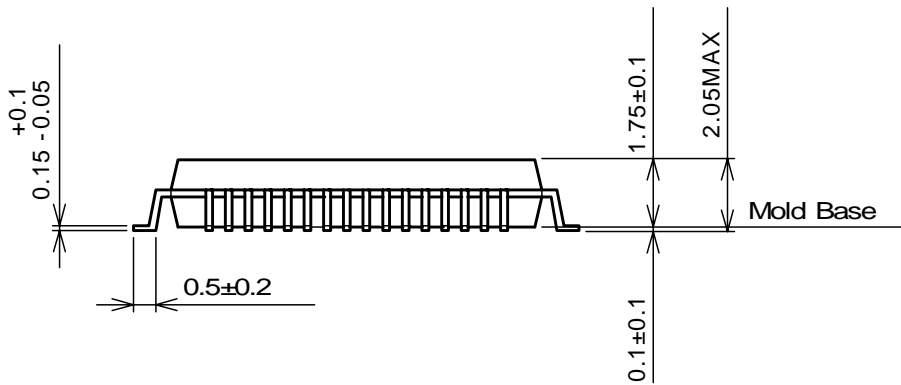
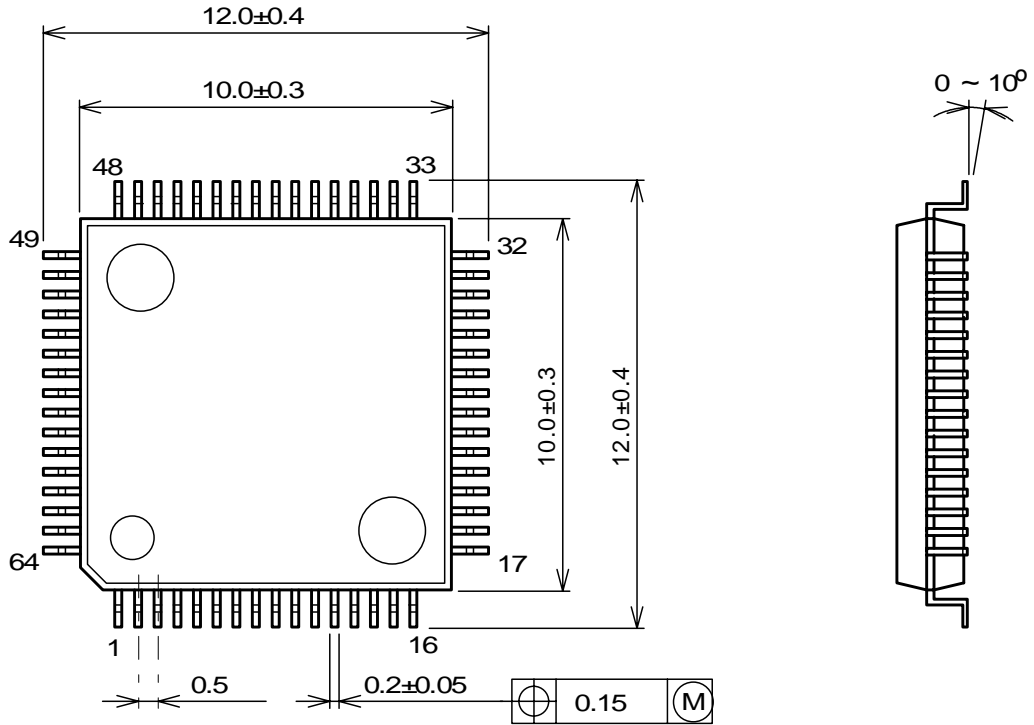


## QFP64-D1



UNIT : mm