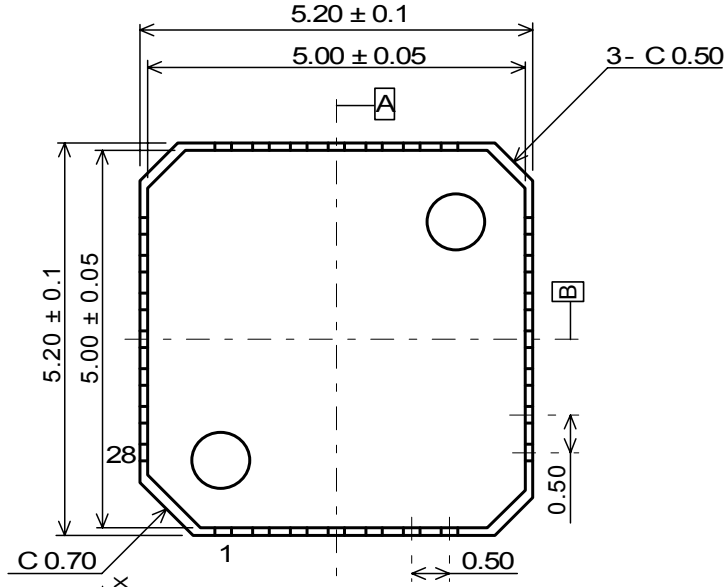
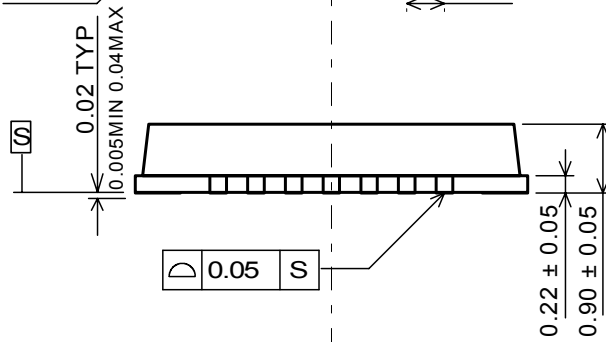


QFN28-N1

TOP VIEW



SIDE VIEW



BOTTOM VIEW

