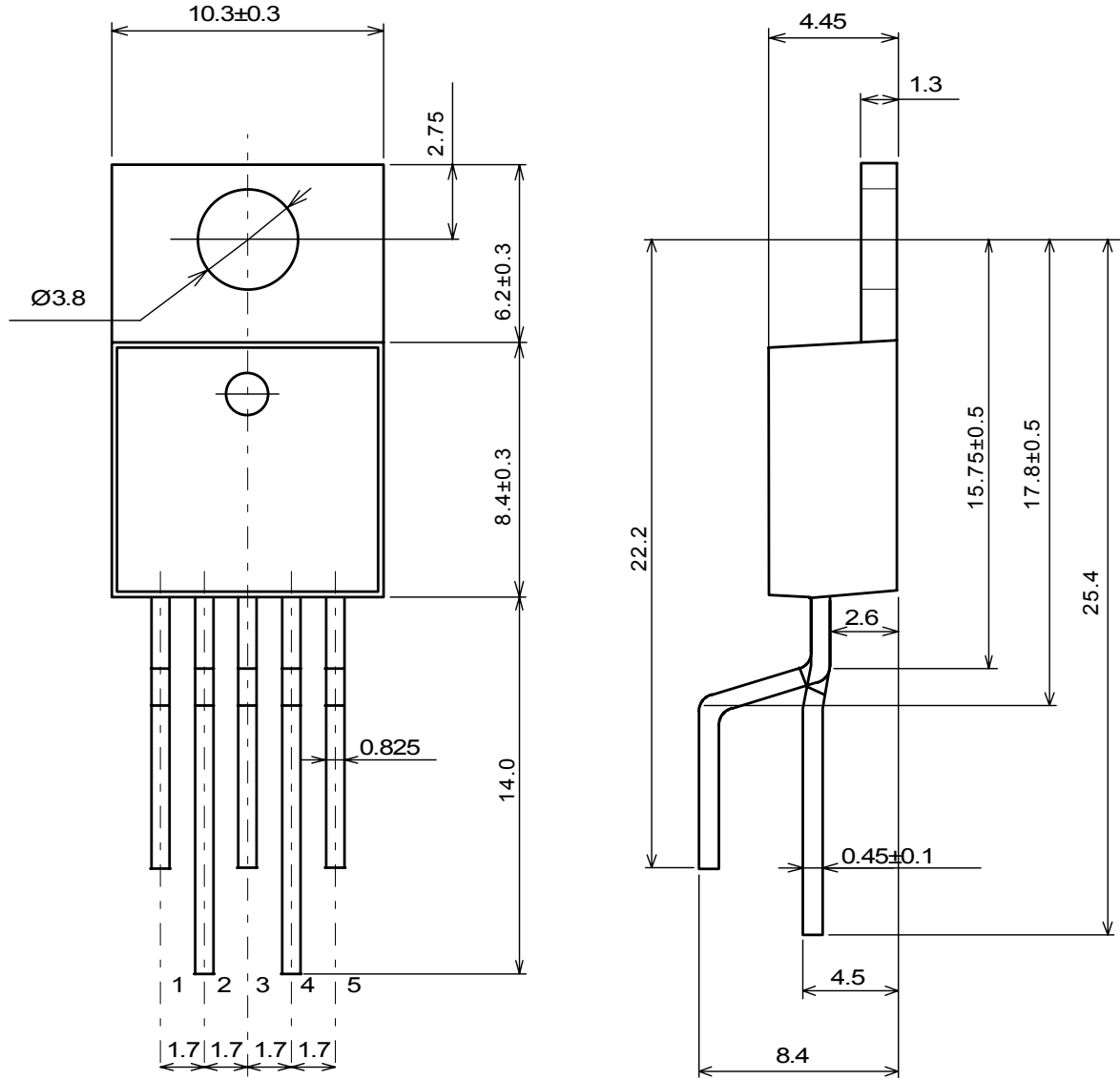


TO220 (5Pin) Forming Type



UNIT : mm