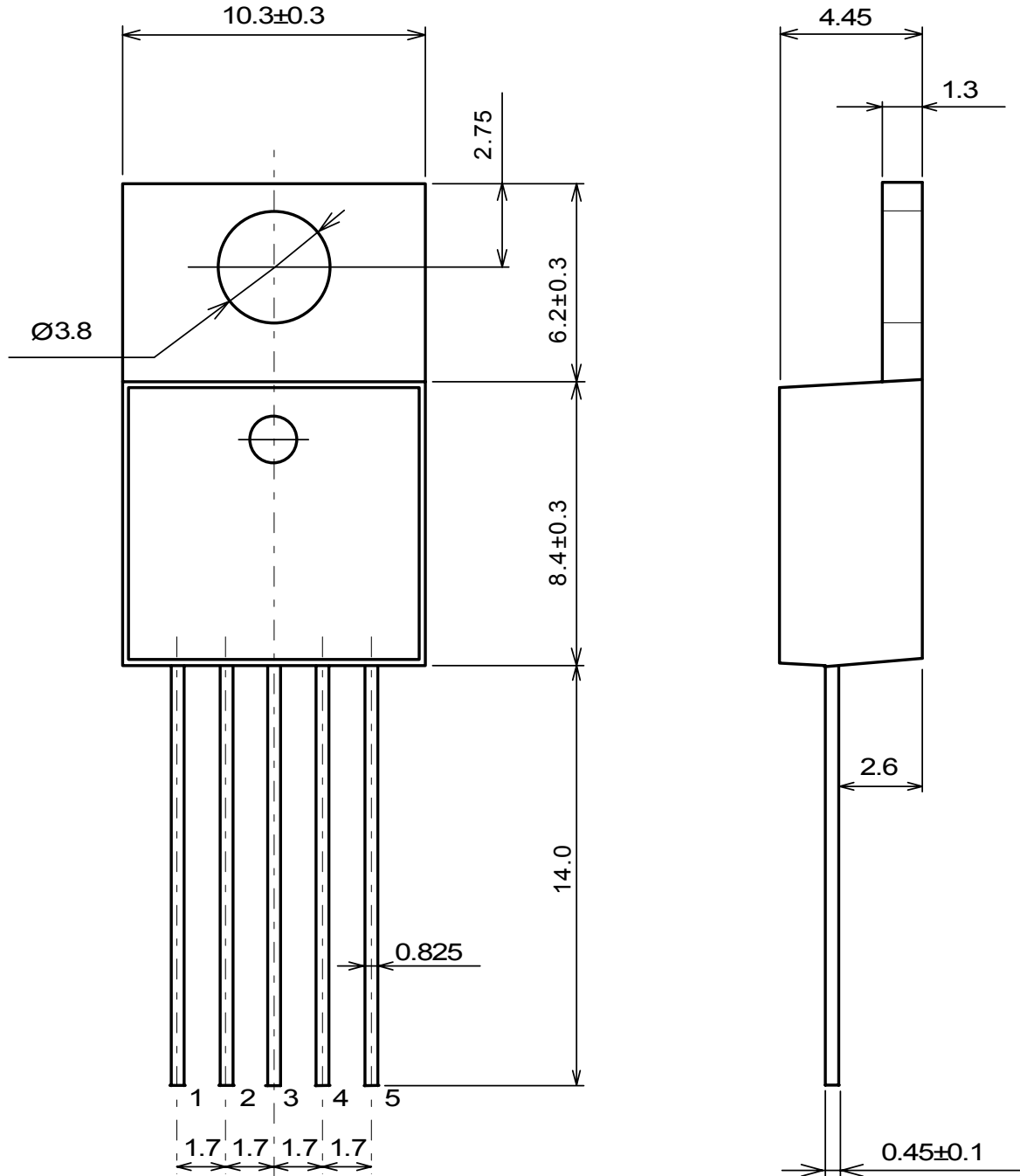


TO220 (5Pin) Straight Type



UNIT : mm