

8-BIT HIGH SPEED MULTIPLYING D / A CONVERTER

■ GENERAL DESCRIPTION

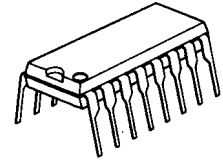
NJMDAC-08C series are 8-bit monolithic multiplying digital to analog converters with very high speed performance. Open collector output provides dual complementary current outputs increasing versatility in application.

Adjustable threshold logic input voltage through V_{LC} pin, can be connected to various type of digital IC products.

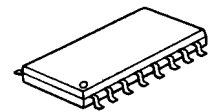
■ FEATURES

- Resolution (8bit)
- Setting Time (85ns)
- Linearity Error ($\pm 0.1\%$ FS MAX (NJM DAC-08H))
- Full scale Current Temperature Drift (50ppm / °C MAX (NJM DAC-08H / E))
- Wide Operating Voltage ($\pm 5V$ to $\pm 18V$)
- Wide Output Voltage Range (-10V to +18V)
- Wide Range Adjustable Threshold Logic Input (-10V to +13.5V ($V^+ / V^- = \pm 15V$))
- Multiplying operations can be performed
- Package Outline DIP16, DMP16
- Bipolar Technology

■ PACKAGE OUTLINE

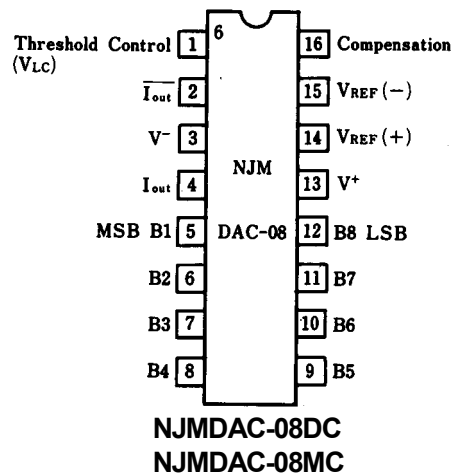


NJMDAC-08DC

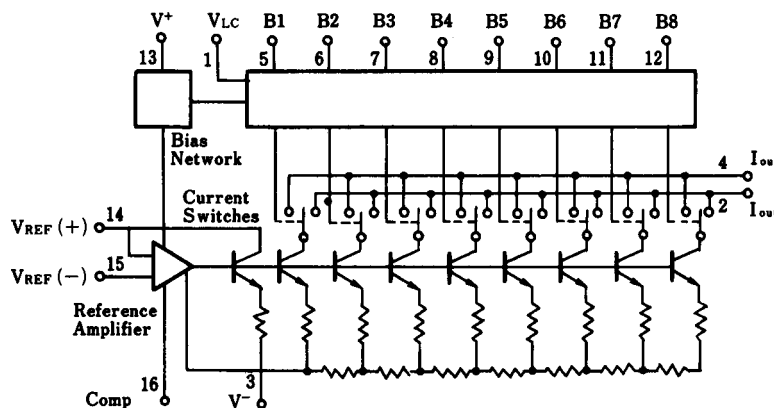


NJMDAC-08MC

■ PIN CONFIGURATION



■ BLOCK DIAGRAM



NJMDAC-08C

■ ABSOLUTE MAXIMUM RATINGS

($T_a=25^{\circ}\text{C}$)

PARAMETER	SYMBOL	RATINGS	UNIT
Supply Voltage	$V^+ - V^-$	36	V
Logic Input Voltage Range	V_I	V^- to $V^+ + 36$	V
Threshold Control Input Voltage	V_{LC}	V^- to V^+	V
Analog Current Outputs	I_o	4.2	mA
Reference Input Voltage Range	V_{REF}	V^- to V^+	V
Reference Input Differential Voltage	$V_{REF(+)} - V_{REF(-)}$	± 18	V
Reference Input Current	I_{REF}	5.0	mA
Power Dissipation	P_D	(DIP16) 500 (DMP16) 300	mW mW
Operating Temperature Range	T_{opr}	-20 to +75	$^{\circ}\text{C}$
Storage Temperature Range	T_{stg}	-40 to +125	$^{\circ}\text{C}$

■ ELECTRICAL CHARACTERISTICS

(V⁺=±15V, I_{REF}=2.0mA, T_a=25°C)

PARAMETER	SYMBOL	TEST CONDITION	MIN.	TYP.	MAX.	UNIT
Resolution			8	8	8	Bit
Monotonicity			8	8	8	Bit
Nonlinearity	NL				±0.39	%FS
*1 Settling Time	t _s	T _O ±1 / 2LSB, all bits switched ON or OFF		85	150	ns
*1 Propagation Delay	t _{PLH} t _{PHL}	All bits switched		35	60	ns
*1 Full Scale Temperature Coefficient	TCI _{FS}			±10	±80	ppm / °C
Output voltage Compliance	V _{OC}	ΔI _{FS} <1 / 2LSB R _{OUT} >20MΩtyp.	-10		+18	V
Full Scale Current	I _{FS4}	V _{REF} =10.000V R ₁₄ , R ₁₅ =5.000kΩ	1.94	1.99	2.04	mA
Full Scale Symmetry	I _{FSS}	I _{FS4} - I _{FS2}		±2.0	±16.0	μA
Zero Scale Current	I _{ZS}			0.2	4.0	μA
Output Current Range	I _{OR1}	V _{REF} =15V, V=10V	2.1			mA
	I _{OR2}	V _{REF} =25V, V=12V, R ₁₄ , R ₁₅ =15.000kΩ	4.2			mA
Logic Input Level "0"	V _{IL}	V _{LC} =0V			0.8	V
Logic Input Level "1"	V _{IH}	V _{LC} =0V	2.0			V
Logic Input Current "0"	I _{IL}	V _{LC} =0V, V _{IN} = -10V to +0.8V		-2.0	-10	μA
Logic Input Current "1"	I _{IH}	V _{LC} =0V, V _{IN} =2V to 18V		0.002	10	μA
Logic Input Swing	V _{IS}		-10		+18	V
Logic Threshold Range	V _{TH2}		-10		+13.5	V
Reference Bias Current	I _{IS}			-1.0	-3.0	μA
*1 Reference Input Slew Rate	dl / dt		4.0	8.0		mA / μs
*2 Power Supply Sensitivity	PSSI _{FS}	V=4.5V to 18V, I _{REF} =1.0mA		±0.0003	±0.01	% / %
	PSSI _{FS}	V= -4.5V to 18V, I _{REF} =1.0mA		±0.002	±0.01	
*3 Operating Current	I ⁺	V [±] =±5V, I _{REF} =1.0mA		2.3	3.8	mA
	I ⁻	V [±] =±5V, I _{REF} =1.0mA		-4.3	-5.8	
	I ⁺	V ⁺ =5V, V ⁻ = -15V		2.4	3.8	
	I ⁻	V ⁺ =5V, V ⁻ = -15V		-6.4	-7.8	
	I ⁺			2.5	3.8	
	I ⁻			-6.5	-7.8	

*1 Guaranteed by design

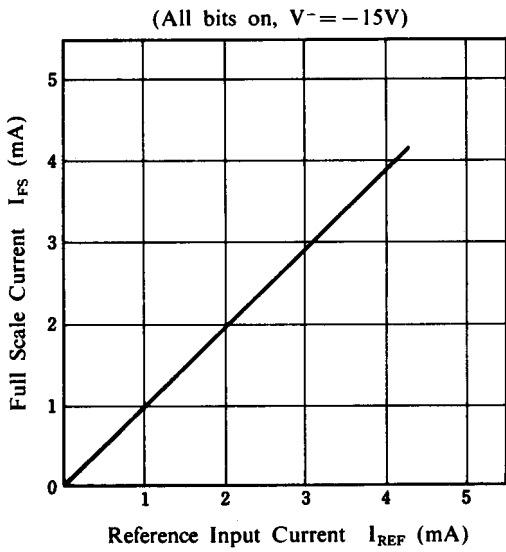
* 2 Calculation formula
$$PSSI_{FS} = \left(\frac{|\Delta I_{FS}|}{I_{FS}} \times 100 \right) \div \left(\frac{18 - 4.5}{15} \right) \times 100$$

* 3 Calculation formula
$$P_D = I^+ \times (V^+ - V^-) + 2I_{REF} \times |V^-|$$

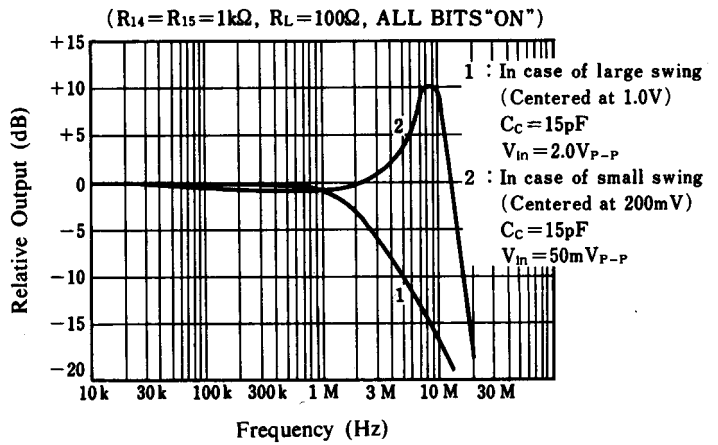
NJMDAC-08C

■ TYPICAL CHARACTERISTICS

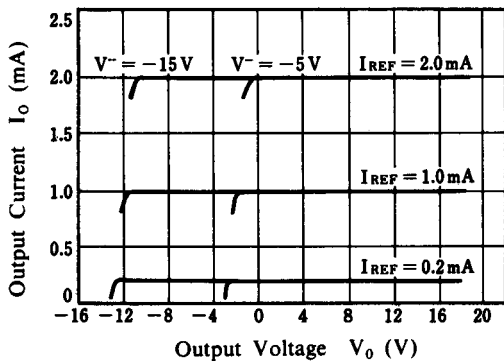
Full Scale Current vs. Reference Input Current



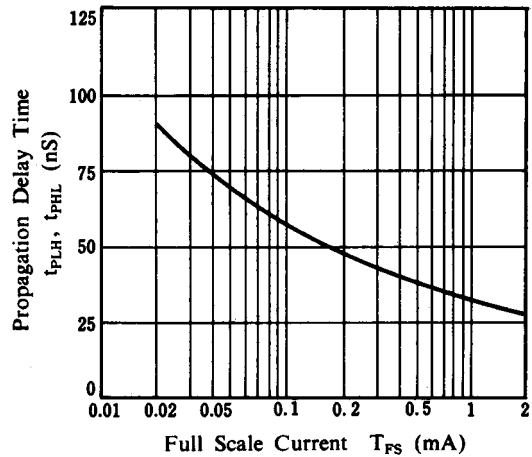
Reference Input Frequency Respons



Output Current vs. Output voltage

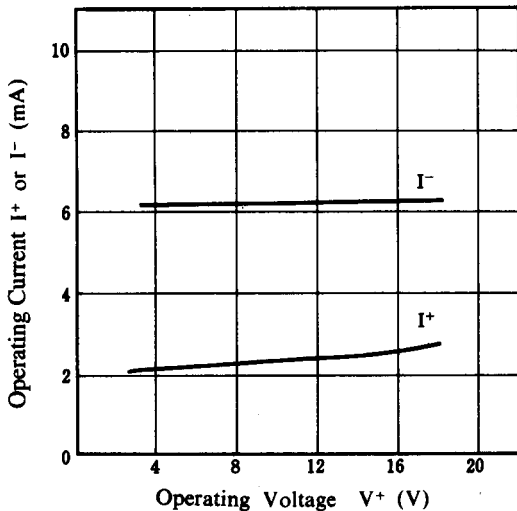


Propagation Delay Time vs. Full Scale Current



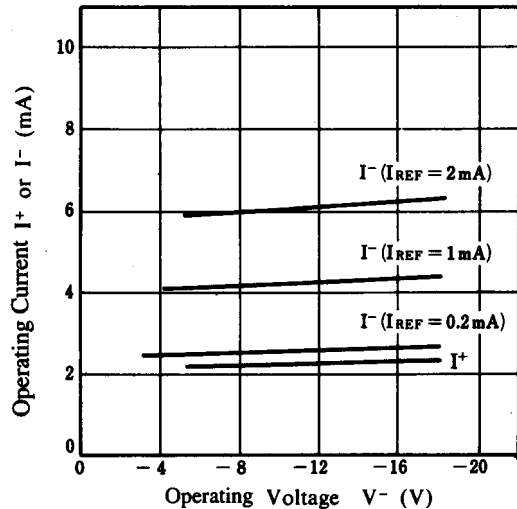
Operating Current vs. Operating Voltage

(ALL BITS "HIGH", OR "LOW")



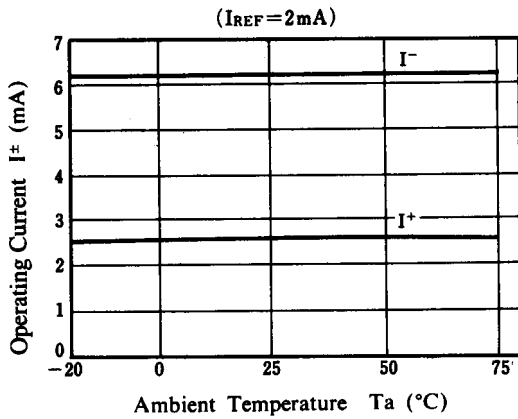
Operating Current vs. Operating Voltage

(BITS MAY BE "HIGH" OR "LOW")

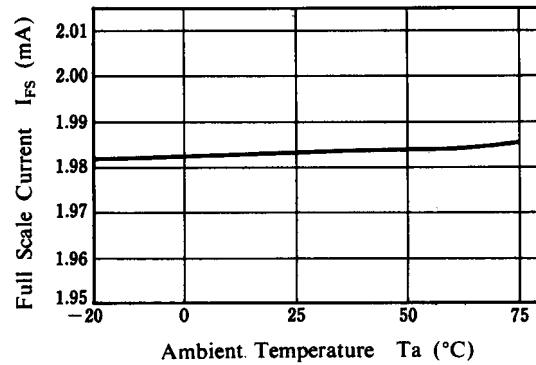


■ TYPICAL CHARACTERISTICS

Operating Current vs. Ambient Temperature

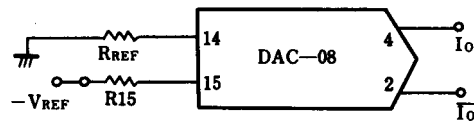
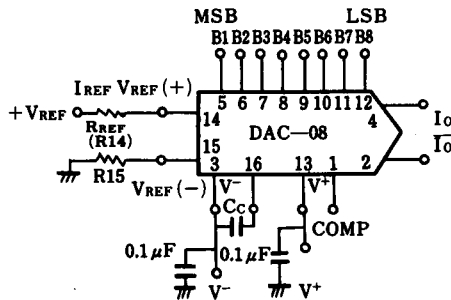


Full Scale Current vs. Ambient Temperature



■ TYPICAL APPLICATION

① Connecting Reference Voltage



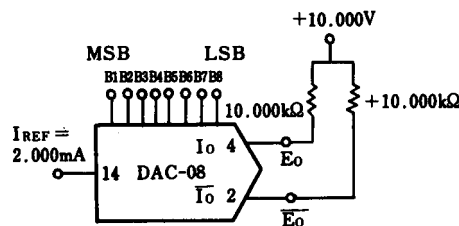
① Positive Reference Voltage

Minimum Compensation Capacitance
 $C_C = R_{REF}(\text{k}\Omega) \times 15(\text{pF})$

② Negative Reference Voltage

Recommended C_C Value
 (When V_{REF} is DC)

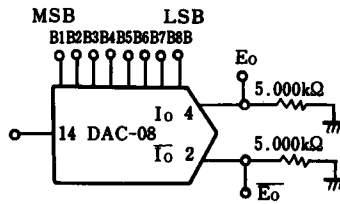
② Connecting Output Circuit



	B1	B2	B3	B4	B5	B6	B7	B8	E_o	\bar{E}_o
POS FULL RANGE	1	1	1	1	1	1	1	1	-9.920	+10.000
POS FULL RANGE - LSB	1	1	1	1	1	1	1	0	-9.840	+9.920
ZERO SCALE ÷ LSB	1	0	0	0	0	0	0	1	-0.050	+0.160
ZERO SCALE	1	0	0	0	0	0	0	0	0.000	+0.050
ZERO SCALE - LSB	0	1	1	1	1	1	1	1	+0.080	0.000
NEG FULL SCALE ÷ LSB	0	0	0	0	0	0	0	1	+9.920	-9.840
NEG FULL SCALE	0	0	0	0	0	0	0	0	+10.000	-9.920

(1) Basic Bipolar Output Operation

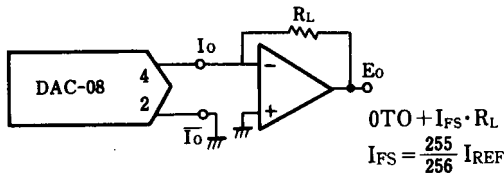
NJMDAC-08C



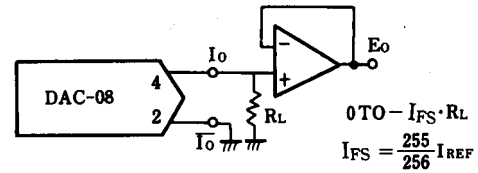
	B1	B2	B3	B4	B5	B6	B7	B8	InmA	InmA	E _o	\bar{E}_o
FULL RANGE	1	1	1	1	1	1	1	1	1.992	0.000	-9.960	-0.000
HALF SCALE ÷ LSB	1	0	0	0	0	0	0	1	1.008	0.984	-5.040	-4.920
HALF SCALE	1	0	0	0	0	0	0	0	1.000	0.992	-5.000	-4.960
HALF SCALE - LSB	0	1	1	1	1	1	1	1	0.992	1.000	-4.960	-5.000
ZERO SCALE ÷ LSB	0	0	0	0	0	0	0	1	0.008	1.984	-0.040	-9.920
ZERO SCALE	0	0	0	0	0	0	0	0	0.000	1.992	-0.000	-9.950

(2) Basic Unipolar Negative Operation

③ Connecting Output Buffer Amp.

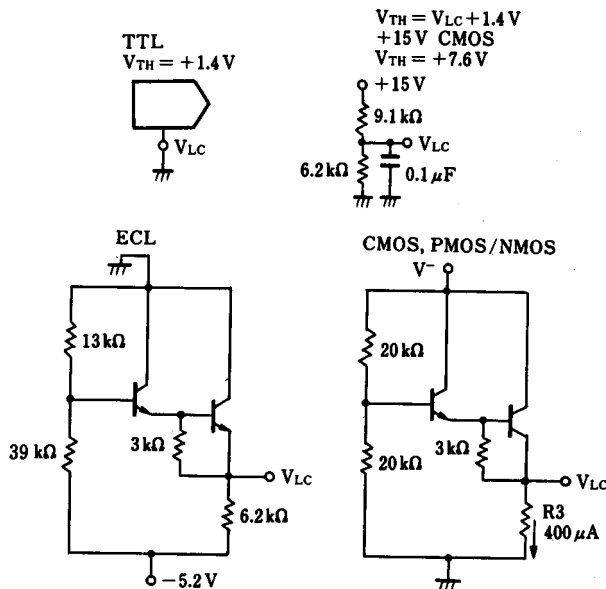


(1) Positive Low Impedance Output Operation



(2) Negative Low Impedance Output Operation

④ Connecting to various type logic IC products



V_{TH} temperature compensation is considered in the above circuit

[CAUTION]
The specifications on this databook are only given for information, without any guarantee as regards either mistakes or omissions. The application circuits in this databook are described only to show representative usages of the product and not intended for the guarantee or permission of any right including the industrial rights.